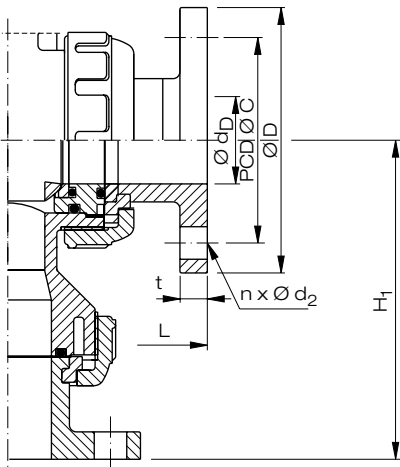


3/2-way ball valve type 23 externally controlled, other connections

Connection with flange



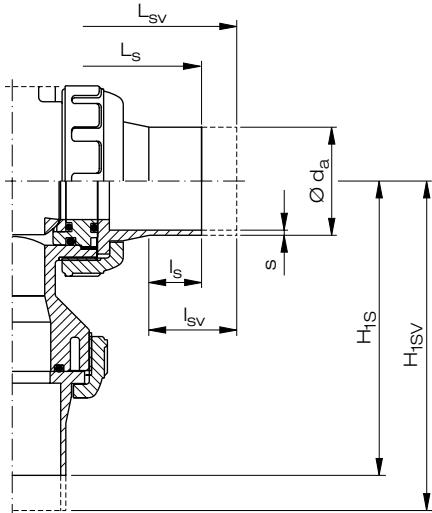
Dimensions in mm

DN	C	D	d_D	t	$n \times d_2$	L	H_1
15	65	95	15	12	4 x 14	130	88
20	75	105	20	14	4 x 14	150	104
25	85	115	25	14	4 x 14	160	120
40	110	150	40	16	4 x 18	200	159
50	125	165	51	16	4 x 18	230	185
80	160	200	78	18	8 x 18	310	259
100	180	220	100	18	8 x 18	350	305

Additional weight in kg / pc.

DN	PVC-U	PVC-C	PP	PVDF
15	0,37	0,41	0,24	0,48
20	0,51	0,57	0,34	0,66
25	0,64	0,72	0,42	0,83
40	1,24	1,38	0,81	1,59
50	1,48	1,66	0,98	1,91
80	2,49	2,79	1,64	3,22
100	2,99	3,34	1,97	3,85

Connection with welding spigot



Dimensions in mm

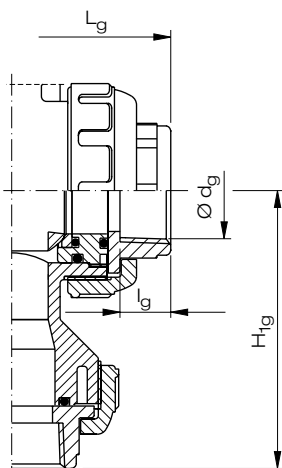
DN	d_a	$s^{(3)}$ SDR 17	$s^{(3)}$ SDR 11	$l_{sv}^{(2)}$	$l_s^{(1)}$	$L_{sv}^{(2)}$	$L_s^{(1)}$	H_{1S}	H_{1SV}
15	20	-	1,9	64	30	239	167	94	135
20	25	-	2,3	61	25	244	168	101	137
25	32	-	2,9	61	25	253	175	114	150
40	50	3,0	4,6	69	22	295	199	150	186
50	63	3,8	5,8	78	20	360	212	170	241
80	90	5,4	8,2	101	40	451	325	266	325
100	110	6,6	10,0	115	38	516	352	306	387

1) Weld spigot (PE 100, PP-R, PVDF)

2) long weld spigots (PE 100, PP-R) for electric welding

3) PVDF-weld spigot SDR 33 / SDR 21 with differing wall thickness

Connection with threaded socket



Dimensions in mm

DN	d_g	l_g	L_g	H_{1g}
15	Rp 1/2"	14	85	59
20	Rp 3/4"	16	105	68
25	Rp 1"	19	117	84
40	Rp 1 1/2"	25	141	126
50	Rp 2"	28	184	151