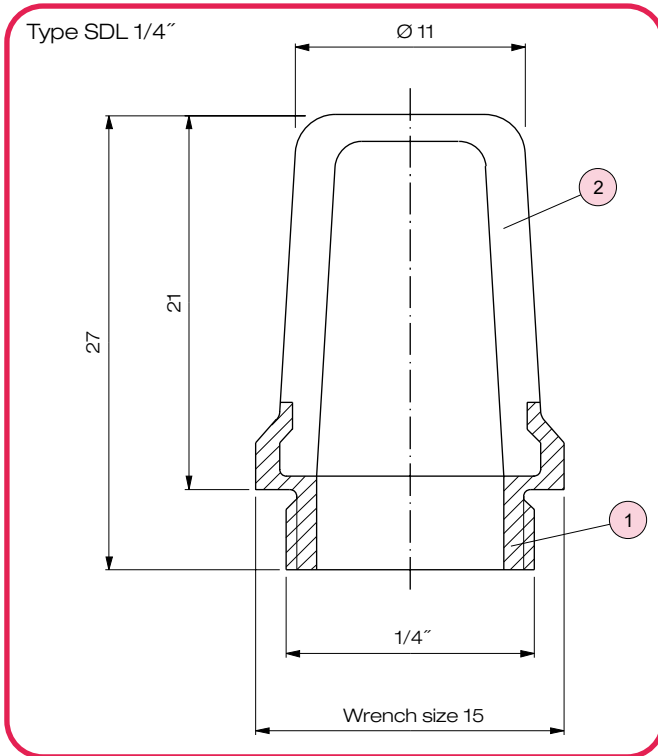
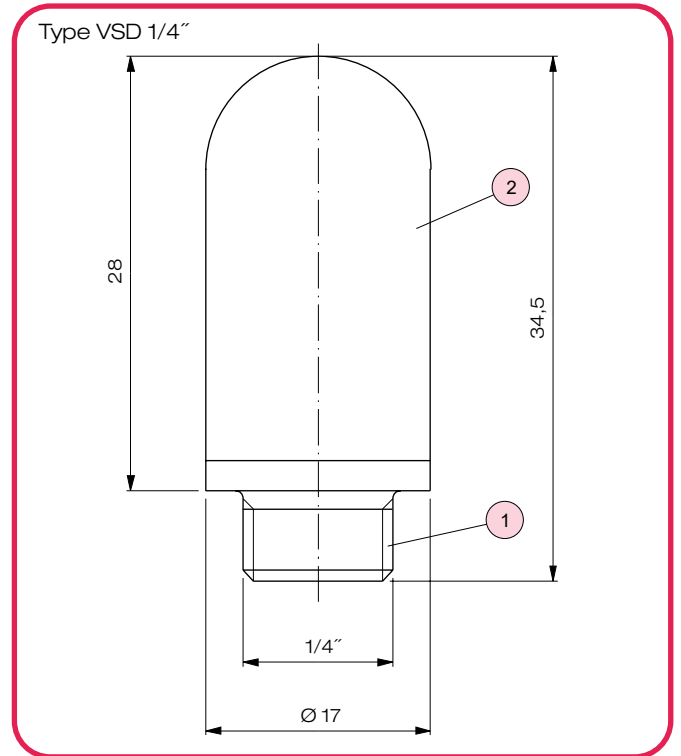


Silencers



No.	Description	Number	Material
1	Threaded carrier	1	Brass
2	Absorber	1	Sintered metal



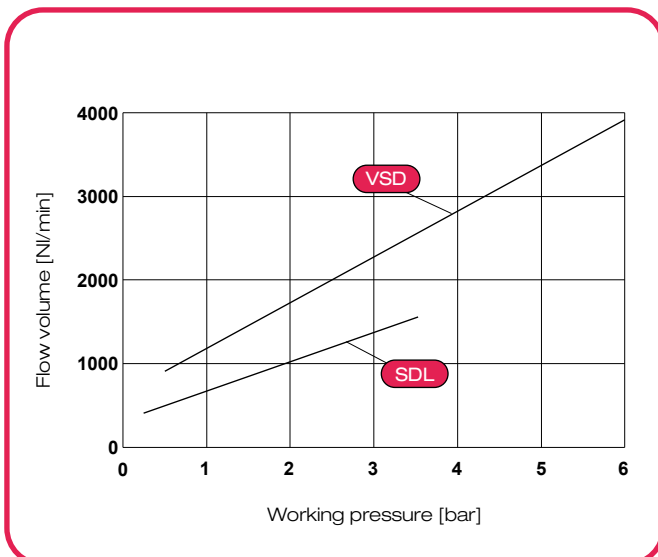
No.	Description	Number	Material
1	Threaded carrier	1	NDPE
2	Absorber	1	NDPE

Description

Silencers are mounted directly on the air exhaust port of pneumatic actuators or pilot valves. The exhausted air streams into the absorber body which provides an optimal

relationship of porous volume and size to achieve a noise reduction of approx. 20 decibel. Silencers are tested at 14 bar, the allowed working pressure is 10 bar.

Flow volume vs. working pressure



Document: FRANK_DB_L11_Schalldämpfer_01-2024_EN