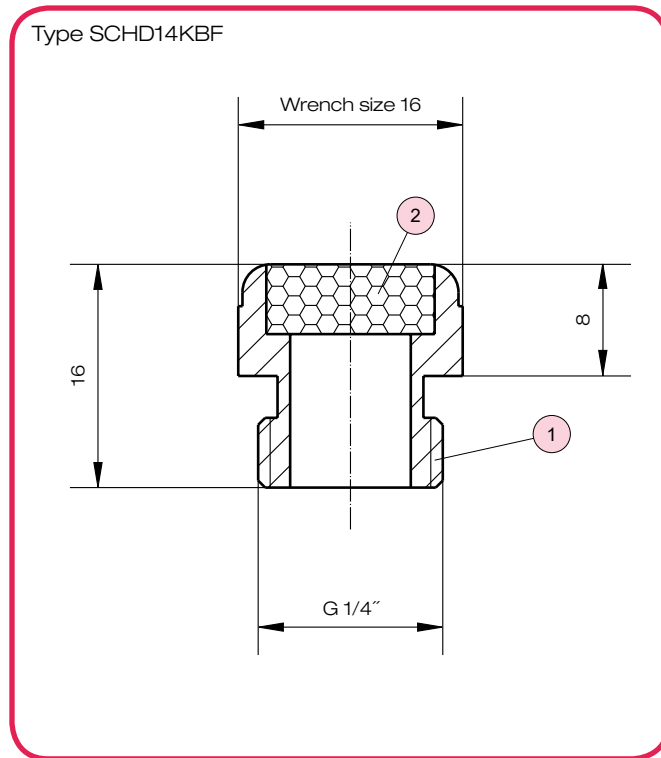


Silencer



No.	Description	Number	Material
1	Threaded carrier	1	Brass, nickel plated
2	Absorber	1	Sintered metal

Technical data

G 1/4"	
Silencer:	short design, flat
Mesh:	80 µm
Flow rate:	800 NI/min. at 5 bar
Wrench size:	16 mm
Connection thread:	G 1/4"

Description

Silencers are mounted directly on the air exhaust port of pneumatic actuators or pilot valves. The exhausted air streams into the absorber body which provides an optimal relationship of porous volume and size to achieve a noise reduction.