

A close-up photograph of a human hand holding a large quantity of small, black, cylindrical plastic granules. The granules are falling from the hand, creating a sense of motion. The background is a dense field of the same granules.

FRANK. Plastic in good hands

Price list 2023 | Plastic valves





FRANK Export price list 2023

valid from February 2023, Plastic valves

About the price list

All prices are recommended retail prices, price indication in Euro and without German VAT. All technical data in millimeter.

All information without engagement, technical details are subject to modifications.

Content

Export department	I
General terms and conditions.....	II
Delivery program.....	1

Valves & Export



Christian Büttner
Head of department export
& valves
T: +49 6105 4085-239
F: +49 6105 4085-8239
c.buettner@frank-gmbh.de



Daniela Tessier
Assistance to the export &
valves management
T: +49 6105 4085-232
F: +49 6105 4085-8232
d.tessier@frank-gmbh.de



Ralf Jurasec
Sales consultant / Deputy
head of department
T: +49 6105 4085-199
F: +49 6105 4085-8199
r.jurasec@frank-gmbh.de



Daniel Anthes
Sales consultant
T: +49 6105 4085-152
F: +49 6105 4085-8152
d.anthes@frank-gmbh.de



Matthias Dreiseitel
Sales consultant
T: +49 6105 4085-162
F: +49 6105 4085-8162
m.dreiseitel@frank-gmbh.de



David Fornoff
Sales consultant
T: +49 6105 4085-165
F: +49 6105 4085-8165
d.fornoff@frank-gmbh.de



Alexander Massing
Sales consultant
T: +49 6105 4085-218
F: +49 6105 4085-8218
a.massing@frank-gmbh.de



Kerstin Schlehlein
Sales consultant
T: +49 6105 4085-163
F: +49 6105 4085-8163
k.schlehlein@frank-gmbh.de



Sebastian Lindemann
Produkt-Manager export &
valves
T: +49 6105 4085-219
F: +49 6105 4085-8219
s.lindemann@frank-gmbh.de



Andrea Haß
Application Engineer
T: +49 6105 4085-214
F: +49 6105 4085-8214
a.hass@frank-gmbh.de

1. General, Conclusion of contract

1.1 The following terms and conditions of delivery and payment shall apply exclusively to all our deliveries and shall only apply to entrepreneurs, legal entities under public law or a special fund under public law. Our terms of delivery and payment shall also apply to all future business relations, even if they are not expressly agreed again. Our terms and conditions shall be deemed accepted upon submission of the order by the customer on the basis of our offer, but no later than 14 days after receipt of the order confirmation without objection.

If our terms and conditions of delivery and payment are opposed to conflicting terms and conditions of the customer, even if they are subsequently included in order confirmations, only our terms and conditions of delivery and payment shall apply even if we do not object to them. We shall only recognise terms and conditions of the customer that conflict with or deviate from our terms and conditions of delivery and payment if we expressly agree to their validity in writing.

1.2 Our offers are subject to change. If an order is to be regarded as an offer, we may accept it within 2 weeks. Contracts shall not be concluded until we have confirmed the order in writing. The same applies to subsidiary agreements of any kind. Subsidiary agreements shall only be valid if confirmed in writing.

1.3 If the customer does not agree with the above handling, he shall immediately - within 7 days - expressly point this out in a special letter.

1.4 In this case, we reserve the right to reject the order of the customer without any claims of any kind being made against us.

1.5 We reserve the property rights and copyrights to all documents provided to the customer in connection with the placing of the order, such as calculations, drawings, etc. These documents may not be made accessible to third parties. These documents may not be made accessible to third parties unless we give the customer our express written consent to do so. If we do not accept the orderer's offer within the period of 1.2, these documents shall be returned to us without delay.

1.6 Written form within the meaning of these GTC includes written and text form (e.g. letter, e-mail, fax).

1.7 References to the applicability of statutory provisions shall only have clarifying significance. Therefore, even without such clarification, the statutory provisions shall apply unless they are directly amended or expressly excluded in these GTC.

2. Prices and terms of payment

2.1 Unless otherwise agreed in writing, our prices shall be ex works (EXW Wölfersheim for extruded PE pipes, coiled pipes and special components/ EXW Mörfelden for the rest of the product range/ in accordance with Incoterms 2000), excluding packaging and plus value added tax at the applicable rate. Costs of packaging, shipping, expenses, customs, taxes, etc. shall be invoiced separately.

2.2 Payment shall be made within 30 days of the invoice date.

2.3 We grant a 2% discount for payment within 10 days of the invoice date.

2.4 The above payment conditions do not apply to repair and rental invoices. These invoices are payable within 10 days of the invoice date without deduction.

2.5 If no payment is made within the payment terms, interest on arrears amounting to 9 percentage points above the base interest rate will be charged. We reserve the right to claim higher damages.

2.6 We are not obliged to accept cheques and bills of exchange. If they are accepted, they shall only be deemed to be payment upon encashment. Collection and discount charges shall be borne by the buyer.

2.7 Acceptance test certificates according to DIN EN 10204-2.2 or 3.1 can be obtained free of charge via our works certificate portal. The manual creation and sending of works certificates is charged at 30 € per order item and the creation of works certificates for special components at cost.

2.8 Transfers from SEPA participating countries (currently the EU countries, Iceland, Liechtenstein, Monaco, Norway and Switzerland) must be made as SEPA transfers.

For SWIFT payments, the originator bears the charges (OUR). In addition to the sender's and recipient's details, DZ Bank AG, Frankfurt am Main, Germany, and the BIC code GENO DE FF must be entered as the intermediary bank in field 56a. In both cases, all payments must be made in EURO.

2.9 For deliveries within the EU, the customer undertakes to confirm the arrival of the goods against our delivery notes (confirmation of arrival). This can also be done electronically after prior agreement. If the customer does not comply with this obligation before the expiry of 3 months after delivery, we shall be entitled to charge the VAT currently applicable in Germany. It is then the customer's responsibility to have the VAT paid refunded in the course of a VAT refund procedure via his tax authorities.

3. Delivery, Delivery Time and Delay in Delivery, Shipment, Transfer of Risk and Default of Acceptance

3.1 Stated delivery times are non-binding for us unless they have been expressly guaranteed.

3.2 Compliance with the delivery time stated by us shall be subject to the clarification of all technical questions as well as the timely and proper fulfillment of the customer's obligations. We reserve the right to plead non-performance of the contract.

3.3 If we are unable to meet binding delivery deadlines for reasons for which we are not responsible (non-availability of the service), we shall inform the Buyer of this without delay and at the same time notify the Buyer of the expected new delivery deadline. If the service is also not available within the new delivery period, we shall be entitled to withdraw from the contract in whole or in part; we shall immediately refund any consideration already paid by the Buyer. Non-availability of the service shall be deemed to exist, for example, in the event of late delivery by our supplier, if we have concluded a congruent hedging transaction, in the event of other disruptions in the supply chain, for example due to force majeure, or if we are not obligated to procure in the individual case.

3.4 The occurrence of our delay in delivery shall be determined in accordance with the statutory provisions. In any case, however, a reminder by the buyer is required.

3.5 The statutory rights of the Buyer subject to clause 6. of these GTC and our statutory rights, in particular in the event of an exclusion of the obligation to perform (e.g. due to impossibility or unreasonableness of performance and/or subsequent performance), shall remain unaffected.

3.6 If the customer is in default of acceptance, fails to cooperate or if our delivery is delayed for other reasons for which the customer is responsible, we shall be entitled to demand compensation for the resulting damage, including additional expenses (e.g. storage costs). Should the goods be stored with us beyond the agreed delivery date, we will charge storage costs calculated as follows: from the 9th calendar week after the agreed delivery date 0.25% of the value of the goods per calendar week from the 13th calendar week after the agreed delivery date 0.75% of the value of the goods per calendar week. However, at most we charge storage costs totalling 10% of the value of the goods. The proof of higher damages and our statutory claims (in particular compensation for additional expenses, reasonable compensation, termination) shall remain unaffected; however, the lump sum shall be offset against further

monetary claims. The purchaser shall be entitled to prove that we have incurred no damage at all or only significantly less damage than the aforementioned lump sum. If the customer is in default of acceptance or culpably violates other obligations to cooperate, the risk of accidental loss or accidental deterioration of the object of sale shall pass to the customer at the point in time at which the customer is in default of acceptance or debtor's delay.

3.7 Shipment is at the risk of the purchaser. Transport and other insurances shall only be effected upon request and shall be borne by the customer. The risk of accidental loss or accidental deterioration of the goods shall pass to the Purchaser upon dispatch to the Purchaser, at the latest upon leaving the factory/warehouse. This shall apply irrespective of whether the goods are dispatched from the place of performance or who bears the freight costs.

3.8 We shall deliver pre-forms (injection moulded, formed from piping, segmented), fittings and pressure-proof puddle flanges (Mauerkragen) upwards of a net value of 1,500.00 EUR free of charge within Germany. We shall deliver PE-piping (extruded, solid walled up to a diameter of 800 mm) upwards of a net value of goods of 5,000.00 EUR free of charge within Germany. Other deliveries shall generally be carried out freight collect, for partly-packed pallets we charge a lump-sum of EUR 55.00 net. For orders less than 250.00 EUR net value of goods, we shall charge 25.00 EUR net mark-up for small-volume purchases.

3.9 When goods are returned to us, said returned goods shall be in their original packaging and in a perfect resellable condition, i.e. neither soiled nor scratched and no older than one year. With such returns, we shall charge at least 25% of the value of the goods for restorage and a general processing fee of € 25,-. The return delivery shall be free of charge and subject to coordination of date with us and shall specify our order and invoice number. Pipes and segmented fittings and fittings made of pipe, components in HP/UHP quality, PURAD range, geothermal probes, distribution shafts, special products, goods no longer listed in the current price list and returned goods with a net value of less than EUR 150.00 are generally excluded from return.

4. retention of title

4.1 All goods delivered by us shall remain our property until payment of all our claims arising from the business relationship with the customer. This shall also apply if the purchase price has been paid for certain deliveries of goods designated by the customer. In the case of a current account, the reserved property shall be deemed to be security for our balance claims. This shall also apply to all future deliveries, even if we do not always expressly invoke this. In the event of a breach of contract by the customer, in particular in the event of default in payment, we shall be entitled, after setting a reasonable deadline, to take back the delivery item and the customer shall be obliged to surrender it. Our taking back of the delivery item always constitutes a withdrawal from the contract. After taking back the delivery item, we shall be entitled to realise it; the realisation proceeds shall be set off against the liabilities of the customer - less reasonable realisation costs.

4.2 Processing or transformation shall always be carried out for us as manufacturer, but without any obligation for us. Value-increasing processing and/or treatment of goods subject to retention of title shall not entitle the customer to compensation claims against us.

4.3 If the goods subject to retention of title are mixed or combined with other objects so that our ownership expires, it is already agreed now that our ownership of the uniform object shall pass to us in proportion to the value (invoice value). The customer shall keep the (co-) ownership for us free of charge.

If the mixing takes place in such a way that the item of the customer is to be regarded as the main item, it shall be deemed agreed that the customer shall transfer co-ownership to us on a pro rata basis and shall keep the sole ownership or co-ownership thus created in safe custody for us. In order to secure our claim against the customer, the customer also assigns to us such claims against a third party which accrue to him through the combination of the reserved goods with a property; we accept this assignment already now.

4.4 The Customer placing the order shall be entitled to process and sell the goods to which we retain title (conditionally sold goods) in conventional business transactions as long as the Customer is not in default. The Customer shall not be permitted to pledge the goods or transfer title thereto for security. Third party claims of the Customer for the conditionally sold items, based on whatever legal reason whatsoever, are now assigned to us to the extent of the final invoice price agreed upon (including applicable value added tax). In the event of processing, assignment shall be proportional to the amount of the invoice. We accept the assignment. Until further notice, we herewith authorise the Customer placing the order to collect the claims assigned to us for its own account in its own name. Our authority to collect the claims ourselves shall not be affected hereby. We shall, however, not collect the claims as long as the Customer continues to meet his obligations to payment from the collected proceeds and in particular for as long as the Customer has not filed for insolvency proceedings or has ceased payment. At our request, the Customer shall disclose the assignment and the retention of title and provide us with the necessary information and documents. The Customer shall also be bound to do so, without any specific request being made, if a third party for its part renders the assignment of the Customer's claims dependent upon its own approval.

4.5 The ordering party is obliged to bring our ownership claim to the attention of any interested third party as long as it legally exists and to notify us immediately in writing, sending a copy of the attachment protocol, if an attachment is to be made by a third party so that we can bring an action in accordance with § 771 of the German Code of Civil Procedure (ZPO). Insofar as the third party is not in a position to reimburse us for the court and out-of-court costs of an action pursuant to § 771 ZPO, the customer shall be liable for the loss.

4.6 We undertake to release the securities to which we are entitled at the request of the customer at our discretion to the extent that the realisable value of our securities exceeds the claims to be secured by more than 10%. Notwithstanding the foregoing, the transfer of ownership to the customer shall only take place after final payment of the full value of the goods and any ancillary costs, such as freight and insurance, or, in the case of a bill of exchange credit, after the bill of exchange has been honoured. We do not guarantee that in the event of non-acceptance or non-redemption of the bill of exchange, it will be protested in due time.

4.7 We are entitled at any time to disclose the assignment of claims to third parties.

4.8 Irrespective of the above assignment of claims (extended reservation of title), the customer pledges to us his claim against third parties in respect of the reserved goods, irrespective of the legal grounds. We accept the pledge. The customer authorises and empowers us to notify third parties of the pledge.

5. Warranty and notice of defects

5.1 The purchaser's warranty rights presuppose that he has duly fulfilled his obligations to inspect the goods and give notice of defects in accordance with § 377 of the German Commercial Code (HGB). Should complaints arise despite the greatest attention, obvious defects must be asserted immediately, at the latest however within 14 days of receipt of the goods, concealed defects immediately after their discovery, otherwise the goods shall be deemed to have been approved. The date of receipt of the notice of defect by us shall be decisive in this respect.

5.2 Claims for defects shall become statute-barred 12 months after delivery of the goods supplied by us to our customer. The above provisions shall not apply insofar as the German Civil Code (BGB) mandatorily prescribes longer periods for buildings and objects for buildings, recourse claims and construction defects. The limitation period in the case of a delivery recourse according to §§ 478, 479 BGB remains unaffected.

Our consent must be obtained before any goods are returned.

If, despite due diligence, the delivered goods show a defect which was already present at the time of the transfer of risk, we shall, at our discretion, either repair the goods or deliver replacement goods, subject to timely notification of defects. We shall always be given the opportunity to remedy the defect within a reasonable period of time.

5.3 If the subsequent performance fails, the customer may - without prejudice to any claims for damages - withdraw from the contract or reduce the remuneration. The customer cannot demand compensation for futile expenses.

5.4 Claims for defects shall not exist in the case of only insignificant deviations from the agreed quality, in the case of only insignificant impairment of usability, in the case of natural wear and tear and in the case of damage arising after the transfer of risk as a result of incorrect or negligent handling, excessive strain, unsuitable operating materials, defective construction work, unsuitable building ground or due to special external influences which are not assumed under the contract. If improper repair work or modifications are carried out by the customer or third parties, there shall also be no claims for defects for these and the resulting consequences.

5.5 Claims by the customer for expenses incurred for the purpose of subsequent performance, in particular transport, travel, labour and material costs, shall be excluded insofar as the expenses increase because the goods delivered by us have subsequently been taken to a place other than the customer's place of business, unless the transfer is in accordance with their intended use.

5.6 The purchaser's right of recourse against us shall only exist to the extent that the purchaser has not entered into any agreements with its customer that go beyond the statutory mandatory claims for defects. Furthermore, clause 5.5 shall apply accordingly to the scope of the purchaser's right of recourse against the supplier.

5.7 Further or other claims of the customer against us and our vicarious agents due to a defect than those regulated here in clause 5. are excluded.

5.8 In the event of fraudulent concealment of a defect or in the event of the assumption of a guarantee for the quality of the goods at the time of the transfer of risk (declaration by the seller that the object of purchase has a certain quality at the time of the transfer of risk and that the seller intends to be responsible for all consequences of its absence irrespective of fault), the rights of the purchaser shall be governed exclusively by the statutory provisions.

6 Limitation of liability

6.1 We shall only be liable for damages - on whatever legal grounds - a) in the event of intent, b) in the event of gross negligence, c) in the event of culpable injury to life, limb or health, d) in the event of defects which we have fraudulently concealed or the absence of which we have guaranteed, e) in accordance with the mandatory rules of product liability.

6.2 In the event of culpable breach of material contractual obligations, we shall also be liable in the event of slight negligence, but limited to the reasonably foreseeable damage typical for the contract.

6.3 Further claims are excluded.

7 Right of retention and right of set-off

The customer shall only have the right of set-off if his counterclaims have been legally established, are undisputed or have been recognised by us. The customer is only entitled to exercise a right of retention insofar as his counterclaim is based on the same contractual relationship.

8. final provisions

8.1 This contract and the entire legal relationship between the parties shall be governed by the laws of the Federal Republic of Germany to the exclusion of the UN Convention on Contracts for the International Sale of Goods (CISG).

8.2 Should individual provisions of these Terms and Conditions of Delivery and Payment be or become invalid or contain a loophole, the remaining provisions shall remain unaffected.

8.3 Place of performance is Mörfelden-Walldorf.

8.4 The exclusive place of jurisdiction for all disputes arising from this contract is Darmstadt/Germany.

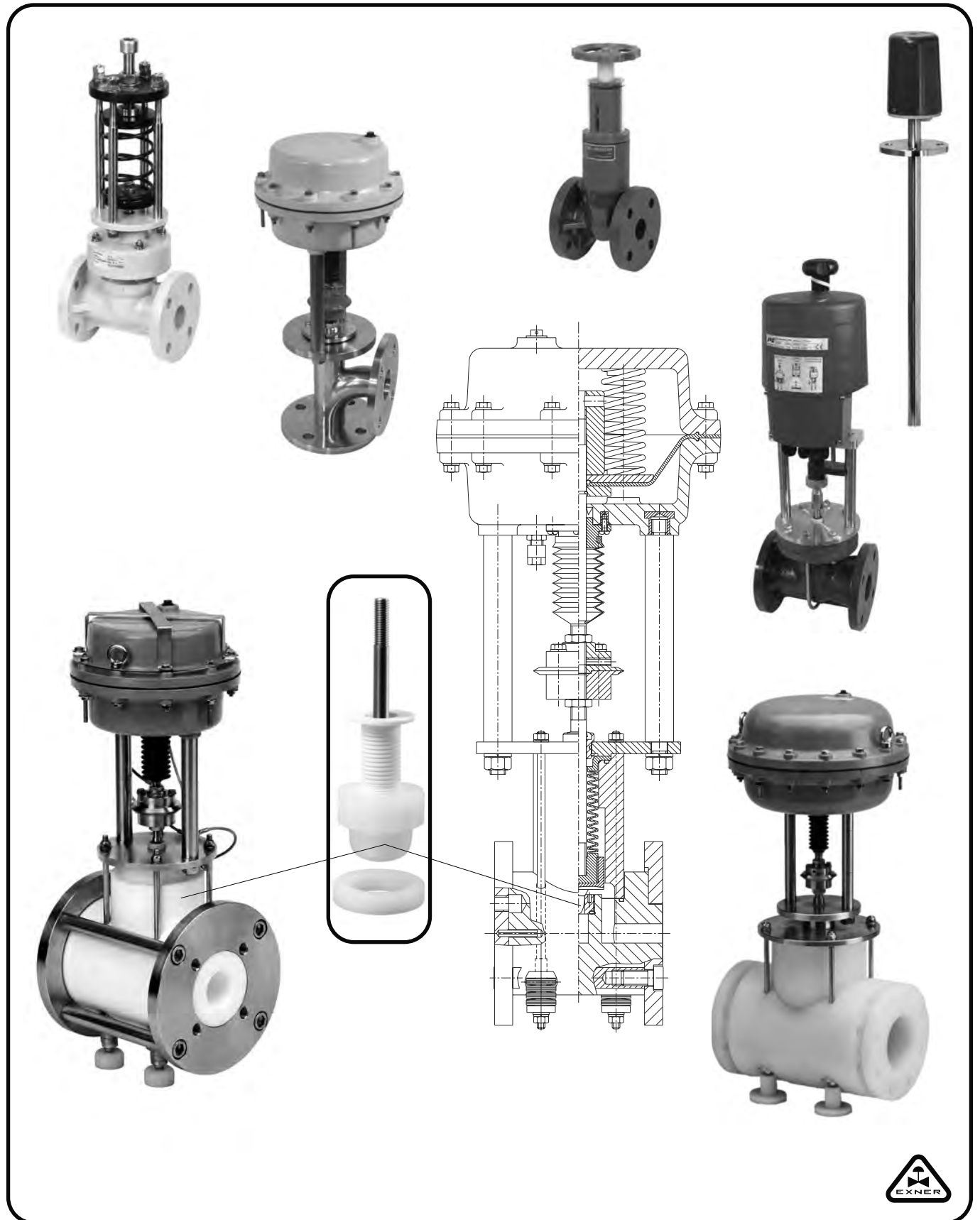
Status: November 2022, FRANK GmbH, Mörfelden-Walldorf



Index

Article	Hand operated or self operating	Actuator		Accessories	Spare parts and wear parts
		pneumatic	electric		
Accessories				80 - 87	
ATEX, types 19, 27, 27 A, 29, 35, 36	44 - 46				
Ball check valve, types 31, 32	52, 53				
Ball foot valve, type 30	53				
Ball valve, type 21	30 - 32	35, 36	37	80, 81, 83, 86	94, 95
Ball valve, type 21 AR		33, 34		83, 86	94, 95
Ball valve monobloc, types 27, 27 A	38			83, 86	
3/2-way ball valve, types 22, 23, 23 H	39, 42	40	41	80, 81, 83, 86	96
Butterfly valve, types 56, 57, 75	20, 21	22, 23	24	82, 83, 86, 87	91 - 93
Butterfly valve, type 57 L	25	26	27	82, 83, 86, 87	91 - 93
Butterfly throttle valve, type LDK	28, 29				
Diaphragm valve, types 14, 15, 72, AI, AN, AP, AV	14, 15	16 - 18		81, 84 - 87	89, 90
Filler & breather valve, type V 91	58			88	
Flange splash guard	47				
Flow meter, type M 335	66, 67			72 - 74	
Flow meter, type M 350	68, 69			72 - 74	
Flow meter, type M 123	70, 71			72, 75	
Flow rate indicator, types DF	76 - 79				
Flow-through fitting, type 12	63				
Fullface gasket, type 52	19				
Gate valve, type C	47				
Gauge guard, types Z 800, Z 801, Z 816	64, 65				
Globe control valve, type 640		5	6	11, 86	
Globe control valve, type 650		7	8	11, 86	
Hand-operated globe control valve, type 630	4				
Inspection glass, type 28	63				
Lab cock, type 24	43				
Level switch Nivex, type 600	12, 13			13	13
Milk of lime globe control valve, type 680		9	10	11, 86	
Pressure reducing valve, types V 82, V 182	60			88	
Pressure relief valve, type 620	3				
Pressure relief valve, types V 85, V 185	61			88	
Pressure retaining valve, types V 86, V 186	62			88	
Solenoid valve, 2/2-way, type 160	48			88	
Special designs	97				
Swing check valve, type 33	49				
Throttle valve, type V 251	59				
Wafer check valve, type 34	50, 51			51	
Water jet vacuum pump, type P 20	57				
Y-check valve, type 35	54				
Y-strainer, types 36, 37, 51	55, 56				

EXNER-Globe Control Valves - produced by FRANK!





Pressure relief valve type 620

Discount groups 112 (PVC / PP) - 111 (PVDF)

- all media-contacted parts are made of plastic
- PTFE-bellow
- exchangeable trim set (plug and seat)
- flange connection acc. to DIN EN 1092-1 - PN 10 / ANSI B 16.5 Class 150

Order-no. = 5 620 Art.-no. Sub-no. A

Base valve type 620

PVC - U
EPDM FKM

PP
EPDM FKM

PVDF
FKM

Art.-grp.

5 620...

5 620...

5 620...

DN	Art.-no.	€/pc.	Art.-no.	€/pc.
15	123	805,20	122	831,60
20	223	856,05	222	882,20
25	323	912,25	322	940,50
32	423	1.489,60	422	1.517,80
40	523	2.375,20	522	2.407,15
50	623	2.700,40	622	2.700,40
65	723	3.428,25	722	3.467,65
80	823	3.858,70	822	3.900,15
100	923	4.723,75	922	4.768,80

Art.-no.	€/pc.	Art.-no.	€/pc.
113	914,25	112	940,50
213	972,55	212	998,80
313	1.076,00	312	1.104,15
-	-	-	-
513	2.599,00	512	2.630,95
613	2.905,50	612	2.941,20
713	3.646,30	712	3.685,70
813	4.400,25	812	4.441,60
913	5.137,25	912	5.182,40

Art.-no.	€/pc.
132	2.636,80
232	2.812,90
332	3.409,80
432	5.729,25
532	7.932,30
632	9.663,55
732	12.911,70
832	15.004,35
932	18.765,75

Sub-no. A

Connection
DIN-Flange
ANSI-Flange

A
1
2



Hand-operated globe control valve type 630

Discount group 112

- all media-contacted parts are made of plastic
- PTFE-bellow
- exchangeable trim set (plug and seat)
- variable k_{VS} - / C_v -value
- flow characteristic equal percentage or linear
- flange connection acc. to DIN EN 1092-1 - PN 10 / ANSI B 16.5 Class 150

Order-no. = 5 630 Art.-no. Sub-no. A Sub-no. B Sub-no. C

Base valve type 630

PVC - U¹⁾
EPDM FKM

PP¹⁾
EPDM FKM

Art.-grp.	5 630...			
DN	Art.-no.	€/pc.	Art.-no.	€/pc.
15	123	1.290,25	122	1.318,55
20	223	1.352,25	222	1.382,30
25	323	1.405,00	322	1.433,30
32	423	1.429,45	422	1.461,30
40	523	1.521,55	522	1.549,85
50	623	1.786,75	622	1.820,65
65	723	2.508,75	722	2.553,90
80	823	2.743,70	822	2.790,80
100	923	3.176,20	922	3.224,95

Art.-grp.	5 630...			
Art.-no.	€/pc.	Art.-no.	€/pc.	
113	1.354,20	112	1.384,25	
213	1.420,20	212	1.451,95	
313	1.474,55	312	1.504,60	
-	-	-	-	
513	1.596,90	512	1.624,90	
613	1.875,15	612	1.912,65	
713	2.632,85	712	2.681,65	
813	2.881,00	812	2.931,70	
913	3.334,05	912	3.386,75	

Sub-no. A

Sub-no. C

Connection	A
DIN-Flange	1
ANSI-Flange	2

Flow characteristic	C
linear	1
equal percentage	2

Sub-no. B

DN	$k_{VS} / C_v^{2)}$	B
15 - 25	0,20 / 0,23	01
15 - 25	0,40 / 0,46	02
15 - 25	0,60 / 0,70	03
15 - 32	1,00 / 1,20	04
15 - 32	1,50 / 1,75	05
15 - 32	2,20 / 2,60	06
20 - 32	3,50 / 4,00	07
20 - 40	5,20 / 6,10	08
32 - 50	8,00 / 9,50	09
32 - 65	9,00 / 10,50	10
40 - 80	14,00 / 16,00	11
50 - 100	22,00 / 25,00	12
65 - 100	34,00 / 40,00	13
65 - 100	40,00 / 46,00	14
80 - 100	55,00 / 64,00	15
100	70,00 / 81,00	16
100	80,00 / 93,00	17

1) other materials on request 2) $k_{VS} < 0,2$ on request



Globe control valve type 640 with pneumatic actuator

Discount group 112

- all media-contacted parts are made of plastic
- PTFE-bellow
- exchangeable trim set (plug and seat)
- variable k_{vs} - / C_v -value
- flow characteristic equal percentage or linear
- flange connection acc. to DIN EN 1092-1 - PN 10 / ANSI B 16.5 Class 150

Order-no. = 5 640

Art.-no.

Sub-no. A

Sub-no. B

Sub-no. C

Sub-no. D

Base valve type 640

PVC - U

EPDM

FKM

PP

EPDM

FKM

Art.-grp.

5 640...

5 640...

DN	Art.-no.	€/pc.	Art.-no.	€/pc.
15	123	2.189,20	122	2.241,75
20	223	2.313,10	222	2.364,05
25	323	2.456,05	322	2.506,80
32	423	2.538,70	422	2.589,50
40	523	2.689,10	522	2.739,95
50	623	3.020,15	622	3.070,85
65	723	4.125,80	722	4.172,70
80	823	4.872,20	822	4.919,20
100	923	5.601,75	922	5.650,70

Art.-no.	€/pc.	Art.-no.	€/pc.
113	2.335,80	112	2.388,50
213	2.459,90	212	2.512,35
313	2.580,15	312	2.630,95
-	-	-	-
513	2.832,10	512	2.882,85
613	3.181,70	612	3.232,60
713	4.778,25	712	4.827,15
813	5.517,15	812	5.564,20
913	5.832,95	912	5.879,95

Sub-no. A

Sub-no. C

Sub-no. D

Connection

A

DIN-Flange
ANSI-Flange

1
2

Sub-no. B

Actuator

B

air to close¹⁾ K220 up to DN 50
air to open K220 up to DN 50
air to close¹⁾ K330 from DN 65 to DN 100
air to open K330 from DN 65 to DN 100

01
02
03
04

¹⁾ Surcharge incl. pressure regulator
up to DN 50: 330,75 €
DN 65 and above: 542,75 €

Automatic accessories for globe control valves p. 11

DN

$k_{vs} / C_v^{(2)}$

C

Flow characteristic

D

15 - 25	0,20 / 0,23	01	linear	1
15 - 25	0,40 / 0,46	02	equal percentage	2
15 - 25	0,60 / 0,70	03		
15 - 32	1,00 / 1,20	04		
15 - 32	1,50 / 1,75	05		
15 - 32	2,20 / 2,60	06		
20 - 32	3,50 / 4,00	07		
20 - 40	5,20 / 6,10	08		
32 - 50	8,00 / 9,50	09		
32 - 65	9,00 / 10,50	10		
40 - 80	14,00 / 16,00	11		
50 - 100	22,00 / 25,00	12		
65 - 100	34,00 / 40,00	13		
65 - 100	40,00 / 46,00	14		
80 - 100	55,00 / 64,00	15		
100	70,00 / 81,00	16		
100	80,00 / 93,00	17		

²⁾ $k_{vs} < 0,2$ on request



Globe control valve type 640 with electric actuator

Discount group 112

- all media-contacted parts are made of plastic
- PTFE-bellow
- exchangeable trim set (plug and seat)
- variable k_{vs} - / C_v -value
- flow characteristic equal percentage or linear
- position feedback integrated
- flange connection acc. to DIN EN 1092-1 - PN 10 / ANSI B 16.5 Class 150

Order-no. = 5 640 Art.-no. Sub-no. A Sub-no. B Sub-no. C Sub-no. D

Base valve type 640

PVC - U
EPDM FKM

PP
EPDM FKM

Art.-grp.	5 640...			
DN	Art.-no.	€/pc.	Art.-no.	€/pc.
15	123	3.031,50	122	3.052,20
20	223	3.091,45	222	3.114,25
25	323	3.166,80	322	3.191,10
32	423	3.401,95	422	3.428,25
40	523	3.469,55	522	3.499,65
50	623	3.691,30	622	3.727,15
65	723	4.949,25	722	4.992,55
80	823	5.564,20	822	5.609,45
100	923	5.964,75	922	6.013,55

5 640...			
Art.-no.	€/pc.	Art.-no.	€/pc.
113	3.249,50	112	3.270,20
213	3.302,15	212	3.324,65
313	3.518,35	312	3.542,90
-	-	-	-
513	3.770,40	512	3.798,45
613	3.943,40	612	3.979,00
713	5.517,15	712	5.560,40
813	6.024,80	812	6.069,90
913	6.248,55	912	6.295,60

Sub-no. A

Sub-no. C

Sub-no. D

Connection	A
DIN-Flange	1
ANSI-Flange	2

DN	$k_{vs} / C_v^{1)}$	C
15 - 25	0,20 / 0,23	01
15 - 25	0,40 / 0,46	02
15 - 25	0,60 / 0,70	03
15 - 32	1,00 / 1,20	04
15 - 32	1,50 / 1,75	05
15 - 32	2,20 / 2,60	06
20 - 32	3,50 / 4,00	07
20 - 40	5,20 / 6,10	08
32 - 50	8,00 / 9,50	09
32 - 65	9,00 / 10,50	10
40 - 80	14,00 / 16,00	11
50 - 100	22,00 / 25,00	12
65 - 100	34,00 / 40,00	13
65 - 100	40,00 / 46,00	14
80 - 100	55,00 / 64,00	15
100	70,00 / 81,00	16
100	80,00 / 93,00	17

Flow characteristic	D
linear	1
equal percentage	2

Sub-no. B

Actuator	B
230 V AC DN 15-50	05
230 V AC DN 65-100	06
115 V AC DN 15-50	07
115 V AC DN 65-100	08
24 V DC DN 15-50	09
24 V DC DN 65-100	10

Accessories

Actuator options	Art.-no.	€/pc.
Communication cable*	51515000	250,20
Limit switch silver, closer	51514999	178,00
Space heater	51514997	108,40
IP 67	51514994	393,20
Local control unit	51514995	698,55
Profibus-DP-Interface	51514996	1.551,85

1) $k_{vs} < 0,2$ on request

* for actuator without local control unit



Globe control valve type 650 with pneumatic actuator

Discount group 111

- all media-contacted parts are made of plastic
- PTFE-bellow
- exchangeable trim set (plug and seat)
- variable k_{vs} - / C_v -value
- flow characteristic equal percentage or linear
- flange connection acc. to DIN EN 1092-1 - PN 10 / ANSI B 16.5 Class 150

Order-no. = 5 650

Art.-no.

Sub-no. A

Sub-no. B

Sub-no. C

Sub-no. D

Base valve type 650

PVDF

FKM

FEP¹⁾

PTFE TFM²⁾

FKM

FEP¹⁾

Art.-grp.

5 650...

5 650...

DN	Art.-no.	€/pc.	Art.-no.	€/pc.
15	132	4.347,30	134	4.514,20
20	232	4.663,70	234	4.863,55
25	332	4.776,70	334	4.979,85
32	432	6.096,60	434	6.323,35
40	532	7.544,50	534	7.818,90
50	632	9.872,70	634	10.168,35
65	732	12.344,40	734	12.676,05
80	832	15.329,80	834	15.682,00
100	932	19.219,30	934	19.592,60

1) FEP-O-rings with FKM-core

Art.-no.	€/pc.	Art.-no.	€/pc.
152	6.508,30	154	6.663,80
252	6.729,20	254	6.920,50
352	7.359,00	354	7.553,25
452	8.801,10	454	9.015,90
552	10.959,30	554	11.236,75
652	14.243,20	654	14.535,70
752	16.717,75	754	17.046,40
852	20.013,75	854	20.362,65
952	26.306,30	954	26.679,50

2) PTFE-body with stainless steel parts

Sub-no. A

Sub-no. C

Sub-no. D

Connection

A

DIN-Flange
ANSI-Flange

1
2

Sub-no. B

Actuator

B

air to close³⁾ K220 up to DN 50
air to open K220 up to DN 50
air to close³⁾ K330 from DN 65 to DN 100
air to open K330 from DN 65 to DN 100

01
02
03
04

3) Surcharge incl. pressure regulator
up to DN 50: 330,75 €
DN 65 and above: 542,75 €

Automatic accessories for globe control valves p. 11

DN

k_{vs} / C_v ⁴⁾

C

Flow characteristic

D

15 - 25
15 - 25
15 - 25
15 - 32
15 - 32
15 - 32
20 - 32
20 - 32
20 - 40
25 - 50
32 - 65
32 - 80
40 - 100
50 - 100
65 - 100
80 - 100
100
100

0,20 / 0,23
0,40 / 0,46
0,60 / 0,70
1,00 / 1,20
1,50 / 1,75
2,20 / 2,60
3,50 / 4,00
5,20 / 6,10
9,00 / 10,50
12,00 / 14,00
16,00 / 18,00
25,00 / 29,00
34,00 / 40,00
45,00 / 52,00
60,00 / 70,00
80,00 / 93,00
90,00 / 105,00

01
02
03
04
05
06
07
08
18
19
20
21
22
23
24
25
26

linear
equal percentage

1
2

4) $k_{vs} < 0,2$ on request



Globe control valve type 650 with electric actuator

Discount group 111

- all media-contacted parts are made of plastic
- PTFE-bellow
- exchangeable trim set (plug and seat)
- variable k_{VS} - / C_v -value
- flow characteristic equal percentage or linear
- position feedback integrated
- flange connection acc. to DIN EN 1092-1 - PN 10 / ANSI B 16.5 Class 150

Order-no. = 5 650 Art.-no. Sub-no. A Sub-no. B Sub-no. C Sub-no. D

Base valve type 650

PVDF
FKM FEP¹⁾

PTFE TFM²⁾
FKM FEP¹⁾

Art.-grp.	5 650...			
DN	Art.-no.	€/pc.	Art.-no.	€/pc.
15	132	5.618,65	134	5.777,05
20	232	5.824,75	234	6.015,90
25	332	6.075,55	334	6.278,35
32	432	7.356,20	434	7.583,05
40	532	9.105,50	534	9.395,05
50	632	11.231,05	634	11.541,45
65	732	13.371,50	734	13.699,70
80	832	15.401,25	834	15.753,50
100	932	20.750,90	934	21.124,10

Art.-grp.	5 650...			
DN	Art.-no.	€/pc.	Art.-no.	€/pc.
152	7.789,20	154	7.947,25	
252	8.096,50	254	8.287,50	
352	8.391,40	354	8.597,95	
452	8.938,35	454	9.156,30	
552	11.726,65	554	12.001,15	
652	14.861,05	654	15.153,50	
752	18.577,60	754	18.906,15	
852	20.858,10	854	21.210,55	
952	27.876,30	954	28.530,20	

1) FEP-O-rings with FKM-core

2) PTFE-body with stainless steel parts

Sub-no. A

Sub-no. C

Sub-no. D

Connection	A
DIN-Flange	1
ANSI-Flange	2

DN	$k_{VS} / C_v^{3)}$	C
15 - 25	0,20 / 0,23	01
15 - 25	0,40 / 0,46	02
15 - 25	0,60 / 0,70	03
15 - 32	1,00 / 1,20	04
15 - 32	1,50 / 1,75	05
15 - 32	2,20 / 2,60	06
20 - 32	3,50 / 4,00	07
20 - 40	5,20 / 6,10	08
25 - 50	9,00 / 10,50	18
32 - 65	12,00 / 14,00	19
32 - 80	16,00 / 18,00	20
40 - 100	25,00 / 29,00	21
50 - 100	34,00 / 40,00	22
65 - 100	45,00 / 52,00	23
80 - 100	60,00 / 70,00	24
100	80,00 / 93,00	25
100	90,00 / 105,00	26

Flow characteristic	D
linear	1
equal percentage	2

Sub-no. B

Actuator	B
230 V AC DN 15-50	05
230 V AC DN 65-100	06
115 V AC DN 15-50	07
115 V AC DN 65-100	08
24 V DC DN 15-50	09
24 V DC DN 65-100	10

Accessories

Actuator options	Art.-no.	€/pc.
Communication cable*	51515000	250,20
Limit switch silver, closer	51514999	178,00
Space heater	51514997	108,40
IP 67	51514994	393,20
Local control unit	51514995	698,55
Profibus-DP-Interface	51514996	1.551,85

3) $k_{VS} < 0,2$ on request

* for actuator without local control unit



Milk of lime globe control valve type 680 with pneumatic actuator

Discount group 111

- exchangeable trim set (plug and seat)
- PTFE-stuffing gland, CrN-coated trim set (plug and seat)
- variable k_{VS} - / C_v -value
- flow characteristic equal percentage or linear
- flange connection acc. to DIN EN 1092-1 - PN 10 / ANSI B 16.5 Class 150

Order-no. = 5 680

Art.-no.

Sub-no. A

Sub-no. B

Sub-no. C

Sub-no. D

Base valve type 680

Stainless steel¹⁾
EPDM

Article group

5 680...

DN	Art.-no.	€/pc.
15	*	*
25	343	7.417,10
32	443	8.208,30
40	543	8.744,75
50	643	9.494,10
65	743	11.897,00
80	843	15.882,00

* on request

1) 1.4571 / SUS 316 Ti

Sub-no. A

Sub-no. C

Sub-no. D

Connection		A	DN	$k_{VS} / C_v^{3)}$	C	Flow characteristic	D
DIN-Flange		1	25	1,00 / 1,20	04	linear	1
ANSI-Flange		2	25	2,20 / 2,60	06	equal percentage	2
Sub-no. B			25 - 32	3,50 / 4,00	07		
			25 - 40	5,20 / 6,10	08		
Actuator		B	32 - 50	9,00 / 10,50	18		
air to close ²⁾ K220 up to DN 50		01	40 - 65	12,00 / 14,00	19		
air to open K220 up to DN 50		02	50 - 80	16,00 / 18,00	20		
air to close ²⁾ K330 from DN 65 to DN 100		03	65 - 80	25,00 / 29,00	21		
air to open K330 from DN 65 to DN 100		04	65 - 80	34,00 / 40,00	22		
			80	45,00 / 52,00	23		
			80	60,00 / 70,00	24		

2) Surcharge incl. pressure regulator
up to DN 50: 330,75 €
DN 65 and above: 542,75 €

3) $k_{VS} < 1,0$ on request

Automatic accessories for globe control valves p. 11



Milk of lime globe control valve type 680 with electric actuator

Discount group 111

- exchangeable trim set (plug and seat)
- PTFE-stuffing gland, CrN-coated trim set (plug and seat)
- variable k_{VS} / C_V -value
- flow characteristic equal percentage or linear
- position feedback integrated
- flange connection acc. to DIN EN 1092-1 - PN 10 / ANSI B 16.5 Class 150

Order-no. = 5 680 Art.-no. Sub-no. A Sub-no. B Sub-no. C Sub-no. D

Base valve type 680

Stainless steel¹⁾
EPDM

Article group 5 680...

DN	Art.-no.	€/pc.
15	*	*
25	343	8.480,15
32	443	9.239,50
40	543	9.731,80
50	643	10.223,95
65	743	11.970,30
80	843	15.943,40

* on request

1) 1.4571 / SUS 316 Ti

Sub-no. A

Connection	A
DIN-Flange	1
ANSI-Flange	2

Sub-no. B

Actuator		B
230 V AC	DN 15-50	05
230 V AC	DN 65-80	06
115 V AC	DN 15-50	07
115 V AC	DN 65-80	08
24 V DC	DN 15-50	09
24 V DC	DN 65-80	10

Accessories

Actuator options	Art.-no.	€/pc.
Communication cable*	51515000	250,20
Limit switch silver, closer	51514999	178,00
Space heater	51514997	108,40
IP 67	51514994	393,20
Local control unit	51514995	698,55
Profibus-DP-Interface	51514996	1.551,85

Sub-no. C

DN	k_{VS} / C_V ²⁾	C
25	1,00 / 1,20	04
25	2,20 / 2,60	06
25 - 32	3,50 / 4,00	07
25 - 40	5,20 / 6,10	08
32 - 50	9,00 / 10,50	18
40 - 65	12,00 / 14,00	19
50 - 80	16,00 / 18,00	20
65 - 80	25,00 / 29,00	21
65 - 80	34,00 / 40,00	22
80	45,00 / 52,00	23
80	60,00 / 70,00	24

2) $k_{VS} < 1,0$ on request

Sub-no. D

Flow characteristic	D
linear	1
equal percentage	2

* for actuator without local control unit



Automatic accessories for globe control valves

Discount group 116

Electro-pneumatic positioners

Art.-no.	€/pc.	SIEMENS / type	Specification
587000410	1.982,30	SIPART PS2-6DR5010-ONG00-0AA0	Positioner Single acting, input signal 4 - 20 mA
587000411	2.277,20	SIPART PS2-6DR5020-ONG00-0AA0	Double acting, input signal 4 - 20 mA
587000412	2.137,25	SIPART PS2-6DR5010-0EG00-0AA0	Single acting, input signal 4 - 20 mA EEx/ATEX
587000413	2.432,20	SIPART PS2-6DR5020-0EG00-0AA0	Double acting, input signal 4 - 20 mA EEx/ATEX
587000416	2.297,60	SIPART PS2-6DR5110-ONG00-0AA0	Positioner with HART-interface Single acting, input signal 4 - 20 mA
587000414	2.998,60	SIPART PS2-6DR5120-ONG00-0AA0	Double acting, input signal 4 - 20 mA
587000415	2.772,50	SIPART PS2-6DR5510-ONG00-0AA0	Positioner with Profibus PA interface Single acting, input signal 4 - 20 mA
587000421	445,95	SIPART PS2-6DR4004-8A	Options Electronic alarm module with 3 outputs
587000424	485,85	SIPART PS2-6DR4004-6A	Electronic alarm module with 3 outputs EEx/ATEX
587000422	445,95	SIPART PS2-6DR4004-8J	IY module for position feedback 4 - 20 mA
587000425	485,85	SIPART PS2-6DR4004-6J	IY module for position feedback 4 - 20 mA EEx/ATEX
587000427	989,60	SIPART PS2-6DR4004-8G	SIA module with slot-type initiator, 1 fault indication
587000433	1.021,50	SIPART PS2-6DR4004-6G	SIA module with slot-type initiator, 1 fault indication EEx/ATEX ia/ib
587000420	531,20	SIPART PS2-6DR4004-8K	Limit value contact module with galvanic switch contacts
587000423	246,55	SIPART PS2-6DR4004-1M	Manometer bloc Manometer bloc (pipework pressure 10 bar, chamber pressure 6 bar)
587000431	208,40	SIPART PS2-6DR4004-8V	Mounting set for lift actuator 3 - 35 mm

587000430

94,60

Assembly and adjustment

Other specifications on request after technical clarification available

Attention:

Each positioner is to be used only with its appropriate mounting kit!



Level switch Nivex type 600

Discount groups 114 (PVC / PP) - 113 (PVDF / 1.4571)

- corrosion-proof level switch for tank-level monitoring
- NBR-diaphragm switches, alternatively FKM-diaphragm switches
- probe head with protection class IP 54, alternatively IP 65

	PVC - U €/pc.	PP €/pc.	PVDF €/pc.	1.4571 €/pc.
Number of switches				
1 switch	474,25	549,45	944,55	1.485,60
2 switches	690,45	803,20	1.109,25	1.623,75
3 switches	914,10	1.096,65	1.675,00	2.149,45
4 switches	1.254,45	1.389,75	2.053,35	2.518,70
5 switches	1.604,15	1.786,70	2.543,20	3.184,45
Diaphragm material				
NBR	0,00	0,00	0,00	0,00
FKM	38,65 ¹⁾	38,65 ¹⁾	38,65 ¹⁾	38,65 ¹⁾
IP-protection class				
IP 54	0,00	0,00	0,00	0,00
IP 65	54,05	54,05	54,05	54,05
Probe head material²⁾				
PVC-U	2			
PP	1			
PVDF	3			
Stainless steel ³⁾	4			
Probe pipe length⁴⁾				
no pipe	0,00	0,00	0,00	0,00
500 mm	25,80	27,65	82,80	173,40
1000 mm	51,05	54,90	165,15	343,20
1500 mm	76,65	82,20	247,50	514,65
2000 mm	101,75	110,35	330,00	686,35
2500 mm	127,40	137,95	412,35	857,60
3000 mm	152,65	164,05	494,80	1.029,15
3500 mm	177,95	191,20	577,00	1.200,60
4000 mm	203,35	218,45	659,55	1.371,90
special length	on request ⁵⁾	on request ⁵⁾	on request ⁵⁾	on request ⁵⁾

1) Surcharge per switch

2) PTFE on request
3) 1.4571 / SUS 316 Ti

4) price per probe pipe, up to S2 switches and for probe pipe > 2000 mm retainers are necessary
5) price information = min. 500 mm steps will be invoiced, additionally pipe connectors for pipe lengths from 2000 mm

Level switch Nivex type 600

Discount groups 114 (PVC / PP) - 113 (PVDF / 1.4571)

	PVC - U €/pc.	PP €/pc.	PVDF €/pc.	1.4571 €/pc.
Probe pipe material¹⁾				
PVC-U	2			
PP	1			
PVDF	3			
Stainless steel ²⁾	4			
Liquid receiver				
without rec.	1			
with receiver	2			
Probe pipe connection				
standard	1			
threaded	2			
	0,00 165,85 ³⁾	0,00 171,50 ³⁾	0,00 356,65 ³⁾	0,00 on request
	0,00 49,35 ³⁾	0,00 51,05 ³⁾	0,00 71,65 ³⁾	100,65 ³⁾

1) PTFE on request
2) 1.4571 / SUS 316 Ti

3) price per probe pipe

Enquiry and order form: (Web form can be downloaded: www.frank-gmbh.de)

Probe head material: PVC <input type="checkbox"/> PP <input type="checkbox"/> PVDF <input type="checkbox"/> Stainless steel <input type="checkbox"/>	Number of probe pipes/ switches (1-5 pcs.): <input type="checkbox"/>	Protection class: IP 54 <input type="checkbox"/> IP 65 <input type="checkbox"/>
Probe pipe material: PVC <input type="checkbox"/> PP <input type="checkbox"/> PVDF <input type="checkbox"/> Stainless steel <input type="checkbox"/>	Material of diaphragm switch: NBR <input type="checkbox"/> FKM <input type="checkbox"/>	Liquid receiver: yes <input type="checkbox"/> no <input type="checkbox"/>
	Probe pipe connection: threaded <input type="checkbox"/> standard <input type="checkbox"/>	Probe pipe(s) in mm: 1. <input type="text"/> 2. <input type="text"/> 3. <input type="text"/> 4. <input type="text"/> 5. <input type="text"/>

Accessories and special designs	PVC - U	PP	PVDF	1.4571
probe pipes retainer ⁴⁾	83,05	100,30	140,80	276,50
probe pipes connector ⁵⁾	51,05	64,35	84,40	149,10

4) up to S2 for probe pipes > 2000 mm retainers are necessary
5) for splitted probe pipes

Diaphragm switch kit⁶⁾

Art.-no.	€/pc.	Diaphragm material
51508760	99,40	NBR
51508761	140,70	FKM

6) diaphragm switch, connecting hose, 2x corbin clamps, 3x flat connections



Diaphragm valve types 14 / 15 / 72

Discount group 35

- type 14 (DN 15 - DN 100)
- type 15 (DN 125 and DN 150)
- type 72 (DN 200 and DN 250)
- very suitable for throttling
- resistant to abrasive process media
- with handwheel and optical position indication
- lockable see accessories (page 81)
- adjustable travel stop

Flange									
DN = Art.-no.	PVC - U		PVC - C ¹⁾		PP			PVDF ²⁾	EL - PVDF
	EPDM	PTFE	EPDM	PTFE *	EPDM	CSM	PTFE	PTFE *	EL - PTFE **
Art. group	514 131...	514 133...	514 141...	514 144...	514 111...	514 115...	514 113...	514 174...	514 176...
	€/pc.	€/pc.	€/pc.	€/pc.	€/pc.	€/pc.	€/pc.	€/pc.	€/pc.
015	155,45	251,80	245,45	353,95	192,95	195,25	266,05	634,00	1.057,70
020	156,90	253,55	305,60	414,40	214,00	216,10	286,90	712,55	1.160,70
025	171,70	276,25	374,90	487,35	260,20	262,50	338,65	789,25	1.265,05
032	210,40	320,90	464,75	583,55	316,50	318,70	394,75	1.070,80	1.635,80
040	276,25	418,25	568,90	736,60	396,30	402,85	496,40	1.192,50	1.980,20
050	341,90	513,35	764,75	974,45	503,95	510,55	623,50	1.585,65	2.525,30
065	527,20	821,85	1.136,95	1.475,90	744,00	792,45	958,80	2.623,15	4.523,55
080	670,25	993,85	1.434,65	1.860,40	1.004,15	1.058,40	1.225,85	3.246,50	5.544,40
100	962,15	1.336,75	1.960,70	2.416,25	1.415,05	1.478,30	1.643,70	4.613,50	7.515,65
Art. group	515 131...	515 133...			515 111...	515 115...	515 113...	515 174...	
	€/pc.	€/pc.			€/pc.	€/pc.	€/pc.	€/pc.	
125	1.790,95	2.217,15			1.966,75	1.967,15	2.392,95	6.697,60	
150	2.658,35	3.264,70			2.893,65	2.928,30	3.541,80	10.212,05	
Art. group	572 131...	572 133...			572 111...	572 115...	572 113...	572 174...	
	€/pc.	€/pc.			€/pc.	€/pc.	€/pc.	€/pc.	
200	4.381,45	5.079,20			5.253,60	5.511,45	5.951,40	16.220,75	
250	7.713,20	9.772,75			9.186,65	9.610,60	11.246,20	25.505,90	

¹⁾ Bonnet (not in contact with process media) PP, base body PVC-C

²⁾ Bonnet (not in contact with process media) PP-G, base body PVDF

* PTFE diaphragm with PVDF cushion cover recommended for diffusing media

** EL-PTFE diaphragm with PVDF cushion cover recommended for hot, liquid chlorine



Diaphragm valve type 14

Discount group 35

- very suitable for throttling
- resistant to abrasive process media
- with handwheel and optical position indication
- adjustable travel stop
- lockable see accessories (page 81)
- other connections on request

Socket

Article group	PVC - U		PVC - C ¹⁾		PP		PVDF ²⁾
	EPDM	PTFE	EPDM	PTFE*	EPDM	PTFE	PTFE*
514 231...	514 233...	514 241...	514 244...	514 311...	514 313...	514 374...	
DN = Art.-no.	€/pc.		€/pc.		€/pc.		€/pc.
015	159,25	261,55	245,45	318,10	192,95	266,05	646,65
020	160,65	263,50	305,60	378,20	214,00	286,90	726,70
025	176,00	286,95	374,90	453,35	260,20	338,65	804,65
032	215,65	333,35	464,75	542,95	316,50	394,75	1.091,70
040	283,30	434,50	568,90	668,80	396,30	496,40	1.216,00
050	350,25	533,15	764,75	884,45	503,95	623,50	1.616,60

Article group	PE-spigot SDR 11		PP-spigot SDR 11		PVDF-spigot SDR 21
	EPDM	PTFE	EPDM	PTFE	PVDF ²⁾ PTFE*
514 531...	514 533...	514 711...	514 713...	514 874...	
DN = Art.-no.	€/pc.		€/pc.		€/pc.
015	159,25	261,55	192,95	266,05	646,65
020	160,65	263,50	214,00	286,90	726,70
025	176,00	286,95	260,20	338,65	804,65
032	215,65	333,35	316,50	394,75	1.091,70
040	283,30	434,50	396,30	496,40	1.216,00
050	350,25	533,15	503,95	623,50	1.616,60

1) Bonnet (not in contact with process media) PP, base body PVC-C

2) Bonnet (not in contact with process media) PP-G, base body PVDF

* PTFE diaphragm with PVDF cushion cover recommended for diffusing media



Diaphragm valve type AI with pneumatic actuator

Discount group 40

- type AI (DN 15 - DN 50)
- very suitable for throttling
- compact piston actuator made of PP-G with improved life time
- NAMUR-solenoid valve connection
- ready for assembly of limit switch or positioner
- control pressure 4 - 6 bar
- PN 7 for one- and both-sided pressurizing
- solenoid valve, limit switch etc. see accessories (pages 84 - 87)

- Function single acting - air to open

Socket

Article group	PVC - U		PVC - C		PP		PVDF
	EPDM	PTFE	EPDM	PTFE	EPDM	PTFE	PTFE
585 402...	585 408...	585 422...	585 428...	585 442...	585 447...	585 475...	
DN = Art.-no.	€/pc.		€/pc.		€/pc.		€/pc.
015	376,90	487,40	404,00	580,70	395,65	509,85	783,50
020	381,15	492,10	431,85	617,25	420,00	522,35	817,80
025	385,20	500,15	454,90	651,70	434,25	541,80	845,25
032	448,65	575,40	536,80	760,40	506,35	624,25	1.049,70
040	563,35	723,75	663,55	941,80	631,25	779,35	1.246,10
050	687,20	881,50	836,80	1.183,80	775,05	955,30	1.573,95

- Function single acting - air to close

same price like air to open
article group 587 ...

- Function double acting

Socket

Article group	PVC - U		PVC - C		PP		PVDF
	EPDM	PTFE	EPDM	PTFE	EPDM	PTFE	PTFE
581 402...	581 408...	581 422...	581 428...	581 442...	581 447...	581 475...	
DN = Art.-no.	€/pc.		€/pc.		€/pc.		€/pc.
015	302,10	376,25	335,85	489,75	313,25	440,05	639,20
020	307,20	380,60	364,75	528,55	323,55	471,05	667,30
025	311,40	387,90	380,45	552,95	328,40	488,85	689,65
032	366,55	449,65	463,45	662,85	397,20	564,60	856,40
040	426,75	528,20	536,00	772,40	458,95	713,05	1.016,70
050	495,75	615,40	655,10	942,65	539,00	821,00	1.284,25



Diaphragm valve type AI with pneumatic actuator

Discount group 40

- type AI (DN 15 - DN 50)
- very suitable for throttling
- compact piston actuator made of PP-G with improved life time
- NAMUR-solenoid valve connection
- top flange for mounting of limit switch or positioner
- control pressure 4 – 6 bar (double acting) / 5 – 6 bar (single acting)
- solenoid valve, limit switch etc. see accessories (pages 84 - 87)
- true union for other connection on request

- Function single acting – air to open

Flange								
Article group	PVC - U		PVC - C		PP		PVDF	
	EPDM	PTFE	EPDM	PTFE	EPDM	PTFE	PTFE*	
586 801...	586 807...	586 821...	586 827...	586 841...	586 847...	585 878...		
DN = Art.-no.	€/pc.		€/pc.		€/pc.		€/pc.	
015	636,65	692,65	682,65	717,50	636,65	692,65	1.086,40	
020	643,60	699,55	702,15	762,90	643,60	699,55	1.137,35	
025	650,50	710,70	746,75	805,15	650,50	710,70	1.179,00	
032	736,15	794,70	855,75	1.171,85	736,15	794,70	1.443,80	
040	951,90	1.028,70	1.124,60	1.198,05	951,80	1.028,70	1.721,05	
050	1.128,50	1.217,75	1.334,15	1.420,80	1.128,50	1.217,75	2.167,20	

- Function single acting – air to close

same price like air to open
article group 588 ...

- Function double acting

Flange								
Article group	PVC - U		PVC - C		PP		PVDF	
	EPDM	PTFE	EPDM	PTFE	EPDM	PTFE	PTFE*	
582 801...	582 807...	582 821...	582 827...	582 841...	582 846...	581 878...		
DN = Art.-no.	€/pc.		€/pc.		€/pc.		€/pc.	
015	511,80	567,70	567,05	622,90	511,80	567,70	887,95	
020	518,70	574,60	624,55	683,15	518,70	574,60	1.002,45	
025	518,70	679,10	738,50	795,30	518,70	679,10	1.051,80	
032	618,95	574,55	598,80	653,30	618,95	574,60	1.195,55	
040	733,30	797,45	905,65	982,35	720,80	797,45	1.427,55	
050	840,50	929,50	1.044,50	1.131,05	837,65	929,50	1.727,80	

* PTFE diaphragm with PVDF cushion cover included in the standard, for diffusing media



Diaphragm valve types 14 AP / 15 AV with pneumatic actuator

Discount group 40

New!

- type 14 AP (DN 65 - DN 100)
- type 15 AV (DN 125 - DN 150)
- very suitable for throttling
- compact actuator made of PP-G (up to DN 100). Bigger than DN 100 made of aluminium alloy.
- NAMUR-solenoid valve connection
- top flange for mounting of limit switch or positioner
- control pressure 4 – 6 bar
- solenoid valve, limit switch etc. see accessories (pages 84 - 87)

- Function single acting – air to open

Flange							
Article group	PVC - U		PVC - C		PP		PVDF
	EPDM	PTFE	EPDM	PTFE*	EPDM	PTFE	PTFE*
585 801...	585 807...	585 821...	585 827...	585 841...	585 846...	585 878...	
DN = Art.-no.	€/pc.		€/pc.		€/pc.		€/pc.
065	2.251,35	2.404,40	2.629,20	2.782,30	2.348,85	2.502,05	4.345,40
080	2.629,20	2.787,35	3.101,75	3.260,00	2.794,70	2.952,85	5.218,95
100	3.913,35	4.076,60	4.521,80	4.685,05	4.132,55	4.295,75	7.578,80
125	6.216,35	6.520,40	-	-	6.341,80	6.645,65	11.528,50
150	9.408,90	9.841,15	-	-	9.606,65	10.039,15	17.471,70

- Function single acting – air to close

same price like air to open
article group 587 ...

- Function double acting

Flange							
Article group	PVC - U		PVC - C		PP		PVDF
	EPDM	PTFE	EPDM	PTFE*	EPDM	PTFE	PTFE*
581 801...	581 807...	581 821...	581 827...	581 841...	581 846...	581 878...	
DN = Art.-no.	€/pc.		€/pc.		€/pc.		€/pc.
065	1.409,45	1.577,80	1.825,30	1.993,75	1.517,05	1.685,45	3.387,50
080	1.606,05	1.780,10	2.126,30	2.300,15	1.788,20	1.962,35	4.062,75
100	2.386,00	2.565,70	3.055,40	3.234,85	2.627,05	2.806,60	5.832,60
125	4.358,10	4.692,75	-	-	4.496,10	4.830,45	9.445,25
150	6.269,80	6.745,50	-	-	6.487,30	6.963,05	13.894,30

* PTFE diaphragm with PVDF cushion cover recommended for diffusing media



Fullface gasket type 52

Discount group 35

- dual profiled sealing for flange connection
- excellent sealing performance
- fullface design
- exact centering with flange holes
- puncture circle diameter acc. to DIN EN 1092-1 – PN 10
- material quality identifiable in installed condition

	EPDM	CSM	NBR	PTFE / EPDM*	PVDF / EPDM*
Article group	552 001...	552 005...	552 009...	552 002...	552 007...
DN = Art.-no.	€/pc.	€/pc.	€/pc.	€/pc.	€/pc.
015	4,55	14,35	6,80	35,90	52,05
020	5,60	16,20	7,55	39,15	52,60
025	6,75	20,50	9,30	44,90	53,55
032	8,10	22,00	10,00	50,35	54,95
040	8,10	23,10	10,80	52,20	67,45
050	9,90	28,05	13,45	62,60	77,50
065	10,10	36,55	14,15	79,50	108,20
080	13,05	39,45	30,15	93,95	124,40
100	17,40	42,85	34,80	116,55	148,45
125	21,70	57,00	46,30	142,00	169,20
150	26,80	68,85	56,05	174,40	183,90
200	31,40	79,10	65,50	225,85	392,05
250	43,90	94,65	81,05	290,30	423,55
300	51,90	104,25	101,10	322,55	468,15
350	67,05	140,85	127,40	799,10	-
400	-	-	-	1.014,15	-

* with EPDM-carrier



Butterfly valve type 57

Discount group 35

- integrated DIN- / ISO-top flange
- sandwich type with fullface seat (no flange gasket necessary)
- only disc and seat in contact with process media
- lockable lever with 19 settings (5°-steps)
- retrofittable with electric or pneumatic actuator
- flange connection acc. to DIN EN 1092-1 – PN 10
- face-to-face length acc. to company standard
- possible limit switch see accessories (page 82 and 83)

Sandwich type with lever

DN = Art.-no.	PVC - U		PP			PP / PVDF*
	EPDM	FKM	EPDM	CSM	FKM	FKM - F**
Art. group	557 031...	557 034...	557 011...	557 015...	557 014...	557 086...
	€/pc.	€/pc.	€/pc.	€/pc.	€/pc.	€/pc.
040	480,70	506,30	709,25	715,40	762,10	1.047,70
050	491,55	535,65	745,60	752,95	805,70	1.138,55
065	528,30	622,45	799,65	811,95	926,70	1.328,45
080	581,50	684,45	885,40	901,00	1.024,25	1.446,15
100	613,40	755,25	972,40	995,65	1.127,00	1.616,00
125	926,60	1.072,75	1.405,00	1.428,95	1.601,55	2.239,00
150	1.043,90	1.309,50	1.581,70	1.621,05	1.937,90	2.964,50
200	1.267,95	1.644,30	2.029,45	2.098,70	2.533,40	3.917,45

* PP body (not in contact with process media), PVDF disc

** FKM-F especially recommended for mixture of nitric acid and hydrofluoric acid



Butterfly valve types 56 / 57 / 75

Discount group 35

- type 56 (DN 400), type 57 (DN 40 - DN 350), type 75 (DN 450 - DN 600)
- integrated DIN- / ISO-top flange
- sandwich type with fullface seat (no flange gasket necessary)
- only disc and seat in contact with process media
- self locking gear with continuous optical position indication
- retrofittable with electric or pneumatic actuator
- flange connection acc. to DIN EN 1092-1 – PN 10
- face-to-face length acc. to company standard
- possible limit switch see accessories (page 82 and 83)

Sandwich type with gear and handwheel

DN = Art.-no.	PVC - U		PP			PP / PVDF*
	EPDM	FKM	EPDM	CSM	FKM	FKM - F**
Art. group	557 531...	557 534...	557 511...	557 515...	557 514...	557 586...
Type 57	€/pc.	€/pc.	€/pc.	€/pc.	€/pc.	€/pc.
040	984,55	1.024,20	1.359,65	1.405,35	1.369,55	1.835,20
050	1.006,20	1.051,55	1.390,95	1.440,25	1.406,85	1.913,85
065	1.039,95	1.135,35	1.441,40	1.495,10	1.518,90	2.107,10
080	1.086,20	1.190,25	1.515,45	1.574,55	1.601,85	2.245,50
100	1.140,75	1.256,30	1.593,80	1.663,15	1.692,20	2.412,70
125	1.387,75	1.535,45	1.964,95	2.045,25	2.092,90	3.087,85
150	1.498,35	1.765,70	2.128,10	2.228,55	2.401,75	3.611,60
200	1.742,95	2.121,50	2.680,65	2.757,55	3.077,65	4.936,50
250	2.215,80	2.750,20	3.391,85	3.474,55	4.099,75	6.311,85
300	3.273,85	4.120,20	4.803,00	4.900,10	5.925,25	9.756,65
350	4.008,00	5.061,15	5.782,40	6.215,55	7.178,85	12.121,85

Art. group	556 511... 556 515... 556 514...			556 586...
Type 56	€/pc.	€/pc.	€/pc.	€/pc.
400	6.904,85	7.472,45	11.647,65	17.841,25

Art. group	575 511... 575 515... 575 514...			575 586...
Type 75	€/pc.	€/pc.	€/pc.	€/pc.
450	12.754,75	13.429,25	18.997,60	30.036,10
500	14.573,20	15.378,30	21.882,00	35.883,85
600	18.227,80	19.220,25	27.721,60	47.607,10

* PP body (not in contact with process media), PVDF disc

**FKM-F especially recommended for mixture of nitric acid and hydrofluoric acid



Butterfly valve types 56 / 57 with pneumatic actuator

Discount group 40

Control pressure 4 - 5 bar

type 56 (DN 400), type 57 (DN 40 - DN 350)

Specification of actuator:

- interface acc. to DIN / ISO or NAMUR
- setting for rotation angle limitation for position „OPEN“ and „CLOSE“
- solenoid valve, limit switch etc. see accessories (pages 83, 86 and 87)

- Function single acting – air to open

Article group	PVC - U		PP		PP / PVDF*
	EPDM	FKM	EPDM	FKM	FKM - F**
586 301...	586 311...	586 341...	586 351...	586 395...	
DN = Art.-no.	€/pc.		€/pc.		€/pc.
040	1.200,65	1.239,40	1.264,70	1.303,45	1.678,35
050	1.223,75	1.267,95	1.291,45	1.335,70	1.742,30
065	1.259,45	1.352,95	1.331,15	1.424,15	1.886,85
080	1.427,80	1.529,55	1.510,05	1.611,80	2.130,60
100	1.566,50	1.742,15	1.717,10	1.830,10	2.436,00
125	2.186,40	2.330,90	2.313,05	2.457,60	3.304,30
150	2.559,65	2.820,80	2.701,25	2.962,55	4.065,05
200	4.879,05	5.248,85	4.989,15	5.358,80	7.306,05
250	9.125,30	9.647,00	9.444,95	9.966,80	13.108,10
300	9.968,00	10.794,75	10.287,60	11.114,25	15.305,30
350	13.381,20	14.409,80	13.700,65	14.729,40	20.286,30
400	-	-	14.529,70	18.007,70	24.448,75

- Function single acting – air to close
same price like air to open
article group 588 ...

- Function double acting

Article group	PVC - U		PP		PP / PVDF*
	EPDM	FKM	EPDM	FKM	FKM - F**
582 301...	582 311...	582 341...	582 351...	582 395...	
DN = Art.-no.	€/pc.		€/pc.		€/pc.
040	958,95	997,55	1.022,70	1.061,60	1.382,40
050	1.028,00	1.072,40	1.095,65	1.139,95	1.502,65
065	1.063,85	1.157,00	1.135,35	1.227,15	1.647,50
080	1.115,70	1.217,40	1.197,95	1.299,85	1.748,85
100	1.265,20	1.378,10	1.353,35	1.466,30	1.990,65
125	1.700,70	1.845,05	1.940,00	1.971,60	2.709,70
150	1.932,30	2.193,50	2.074,20	2.335,30	3.297,20
200	3.090,35	3.460,20	3.200,30	3.570,15	5.116,90
250	4.531,75	5.053,55	4.851,05	5.372,90	7.486,45
300	5.333,55	6.160,25	5.653,30	6.479,80	9.633,50
350	6.726,95	7.755,75	7.046,65	8.075,30	12.142,70
400	-	-	7.875,75	11.353,75	16.305,40

* PP body (not in contact with process media), PVDF disc

**FKM-F especially recommended for mixture of nitric acid and hydrofluoric acid



Butterfly valve types 56 / 57 with pneumatic actuator

Discount group 40

Control pressure 6 - 8 bar

type 56 (DN 400), type 57 (DN 40 - DN 350)

Specification of actuator:

- interface acc. to DIN / ISO or NAMUR
- setting for rotation angle limitation for position „OPEN“ and „CLOSE“
- solenoid valve, limit switch etc. see accessories (pages 83, 86 and 87)

- Function single acting – air to open

Article group	PVC - U		PP		PP / PVDF*
	EPDM	FKM	EPDM	FKM	FKM - F**
585 301...	585 311...	585 341...	585 351...	585 395...	
DN = Art.-no.	€/pc.	€/pc.	€/pc.	€/pc.	€/pc.
040	1.103,00	1.141,80	1.166,90	1.205,45	1.558,45
050	1.126,00	1.170,25	1.193,45	1.237,75	1.622,65
065	1.289,30	1.382,20	1.360,60	1.453,90	1.923,15
080	1.341,20	1.442,70	1.423,25	1.525,10	2.024,75
100	1.517,75	1.630,55	1.605,70	1.718,70	2.299,55
125	2.007,55	2.151,95	2.134,50	2.278,50	3.085,40
150	2.356,60	2.617,80	2.498,35	2.759,75	3.816,30
200	4.098,15	4.468,00	4.208,25	4.578,00	6.350,55
250	6.527,95	7.049,75	6.847,35	7.369,35	9.929,75
300	7.330,00	8.156,60	7.649,65	8.476,30	12.076,65
350	11.195,90	12.224,60	11.515,55	12.544,30	17.611,90
400	-	-	12.344,70	15.822,55	21.774,75

- Function single acting – air to close
same price like air to open
article group 587 ...

- Function double acting

Article group	PVC - U		PP		PP / PVDF*
	EPDM	FKM	EPDM	FKM	FKM - F**
581 301...	581 311...	581 341...	581 351...	581 395...	
DN = Art.-no.	€/pc.	€/pc.	€/pc.	€/pc.	€/pc.
040	958,95	997,55	1.022,70	1.061,60	1.382,40
050	982,10	1.026,35	1.049,55	1.093,80	1.446,25
065	1.018,00	1.110,80	1.089,25	1.182,50	1.591,10
080	1.115,70	1.217,40	1.197,95	1.299,85	1.748,85
100	1.265,20	1.378,10	1.353,35	1.466,30	1.990,65
125	1.579,25	1.723,70	1.705,95	1.850,20	2.561,10
150	1.815,10	2.076,25	1.956,80	2.218,15	3.154,00
200	2.492,60	2.862,30	2.602,80	2.972,30	4.385,55
250	3.513,00	4.035,00	3.832,85	4.354,50	6.240,35
300	4.732,65	5.559,35	5.052,25	5.879,00	8.897,95
350	6.075,20	7.104,05	6.395,00	7.423,45	11.345,15
400	-	-	7.223,95	10.701,90	15.507,80

* PP body (not in contact with process media), PVDF disc

** FKM-F especially recommended for mixture of nitric acid and hydrofluoric acid



Butterfly valve types 56 / 57 with electric actuator

Discount group 40

type 56 (DN 400), type 57 (DN 40 - DN 350)

Specification of actuator:

- protection class IP 67 (Ex-type possible)
- optical position indication
- emergency manual override
- integrated heating
- 2 potential free limit switches for feedback „OPEN“ and „CLOSE“
- 2 rotation switches (from DN 200)

■ Voltage 230 V / 50 Hz

Article group	PVC - U		PP		PP / PVDF*
	EPDM	FKM	EPDM	FKM	FKM - F**
561 301...	561 311...	561 341...	561 351...	561 395...	
DN = Art.-no.	€/pc.	€/pc.	€/pc.	€/pc.	€/pc.
040	2.360,65	2.401,90	2.428,85	2.470,25	3.112,25
050	2.385,35	2.432,60	2.457,75	2.504,50	3.180,45
065	2.423,50	2.522,95	2.499,90	2.599,35	3.335,10
080	2.478,95	2.587,65	2.566,80	2.675,40	3.443,15
100	2.829,15	2.949,65	2.922,85	3.043,65	3.934,25
125	3.164,45	3.318,25	3.299,40	3.453,65	4.543,75
150	3.422,15	3.700,95	3.573,45	3.852,40	5.183,75
200	4.809,80	5.204,60	4.927,25	5.322,05	7.311,95
250	5.708,35	6.265,75	6.049,75	6.606,95	9.058,55
300	6.613,50	7.496,40	6.954,70	7.837,65	11.410,70
350	8.045,05	9.143,55	8.386,20	9.484,90	14.021,20
400	-	-	9.271,60	12.986,05	18.466,95

■ Voltage 400 V / 50 Hz

Article group	PVC - U		PP		PP / PVDF*
	EPDM	FKM	EPDM	FKM	FKM - F**
562 301...	562 311...	562 341...	562 351...	562 395...	
DN = Art.-no.	€/pc.	€/pc.	€/pc.	€/pc.	€/pc.
040	2.661,65	2.703,05	2.729,95	2.771,25	3.480,40
050	2.686,40	2.733,60	2.758,60	2.805,65	3.548,90
065	2.724,60	2.824,05	2.801,05	2.900,40	3.703,25
080	2.779,85	2.888,65	2.867,85	2.976,40	3.811,65
100	2.842,00	2.962,45	2.935,80	3.056,40	3.950,15
125	3.177,15	3.331,15	3.312,35	3.466,50	4.559,45
150	3.415,80	3.694,85	3.567,25	3.846,25	5.176,25
200	4.715,90	5.110,95	4.833,45	5.228,20	7.197,20
250	5.673,45	6.230,75	6.014,60	6.572,00	9.015,75
300	6.578,45	7.461,30	6.926,40	7.802,70	11.368,05
350	7.763,15	8.861,65	8.104,35	9.202,85	13.675,75
400	-	-	8.989,65	12.704,25	18.121,70

* PP body (not in contact with process media), PVDF disc

** FKM-F especially recommended for mixture of nitric acid and hydrofluoric acid



Butterfly valve type 57 L

Discount group 35

- lug type with stainless steel thread inserts
- body made of PDCPD
- integrated DIN- / ISO-top flange
- only disc and seat in contact with process media
- lever or self locking gear with handwheel
- retrofittable with electric or pneumatic actuator
- flange connection acc. to DIN EN 1092-1 – PN 10
- face-to-face length acc. to company standard
- possible limit switch see accessories (page 82 and 83)

Lug type with lever

Article group	PP*		PVDF*
	EPDM	FKM	FKM - F
557 091...	557 097...	557 096...	
DN = Art.-no.	€/pc.		€/pc.
080	970,50	1.109,20	1.550,35
100	1.066,15	1.220,10	1.730,80
125	1.539,85	1.736,65	2.403,85
150	1.734,15	2.090,35	3.151,20
200	2.226,35	2.730,30	4.158,15

* disc



Lug type with gear and handwheel

Article group	PP*		PVDF*
	EPDM	FKM	FKM - F
557 591...	557 597...	557 596...	
DN = Art.-no.	€/pc.		€/pc.
080	1.644,20	1.782,95	2.414,90
100	1.733,65	1.887,35	2.597,65
125	2.156,10	2.352,95	3.342,30
150	2.341,80	2.697,75	3.902,75
200	2.954,35	3.458,55	5.320,05
250	3.666,75	4.378,60	6.652,40

* disc



Butterfly valve type 57 L with pneumatic actuator

Discount group 40

Specification of actuator:

- interface acc. to DIN / ISO or NAMUR
- setting for rotation angle limitation for position „OPEN“ and „CLOSE“
- solenoid valve, limit switch etc. see accessories (pages 83, 86 and 87)

Lug type - Control pressure 4 - 5 bar

Lug type - Control pressure 6 - 8 bar

■ Function single acting – air to open

Article group	PP* EPDM FKM		PVDF* FKM - F
	586 741...	586 751...	586 797...
DN = Art.-no.	€/pc.	€/pc.	€/pc.
080	1.595,30	1.697,15	2.234,70
100	1.810,80	1.923,15	2.550,70
125	2.447,80	2.592,45	3.469,40
150	2.853,75	3.115,15	4.251,55
200	5.186,15	5.555,70	7.547,25
250	9.657,35	10.227,45	13.420,45

■ Function single acting – air to open

Article group	PP* EPDM FKM		PVDF* FKM - F
	585 741...	585 751...	585 797...
DN = Art.-no.	€/pc.	€/pc.	€/pc.
080	1.508,35	1.610,10	2.128,85
100	1.699,45	1.811,90	2.414,40
125	2.269,00	2.413,55	3.250,30
150	2.650,75	2.911,95	4.002,90
200	4.405,15	4.774,75	6.591,50
250	7.060,05	7.630,25	10.241,90

■ Function single acting – air to close

same price like air to open
article group 588 ...

■ Function single acting – air to close

same price like air to open
article group 587 ...

■ Function double acting

Article group	PP* EPDM FKM		PVDF* FKM - F
	582 741...	582 751...	582 797...
DN = Art.-no.	€/pc.	€/Stück	€/pc.
080	1.283,15	1.384,75	1.853,00
100	1.447,05	1.559,30	2.105,20
125	2.074,80	2.106,60	2.874,75
150	2.226,80	2.487,75	3.483,80
200	3.397,15	3.766,70	5.358,00
250	5.063,55	5.633,85	7.798,45

■ Function double acting

Article group	PP* EPDM FKM		PVDF* FKM - F
	581 741...	581 751...	581 797...
DN = Art.-no.	€/pc.	€/pc.	€/pc.
080	1.283,15	1.384,75	1.853,00
100	1.447,05	1.559,30	2.105,20
125	1.840,70	1.985,15	2.726,10
150	2.109,40	2.370,70	3.340,40
200	2.799,55	3.169,20	4.626,60
250	4.045,30	4.615,40	6.552,40

* disc



Butterfly valve type 57 L with electric actuator

Discount group 40

Specification of actuator:

- protection class IP 67 (Ex-type possible)
- optical position indication
- emergency manual override
- integrated heating
- 2 potential free limit switches for feedback „OPEN“ and „CLOSE“
- 2 rotation switches (from DN 200)

Lug type

■ Voltage 230 V / 50 Hz

Article group	PP* EPDM FKM		PVDF* FKM - F
	561 741...	561 751...	561 797...
DN = Art.-no.	€/pc.	€/pc.	€/pc.
080	2.657,85	2.766,10	3.554,35
100	3.023,00	3.143,10	4.056,95
125	3.443,40	3.597,60	4.719,75
150	3.736,00	4.015,30	5.383,10
200	5.137,60	5.532,30	7.569,40
250	6.276,65	6.885,60	9.391,85

■ Voltage 400 V / 50 Hz

Article group	PP* EPDM FKM		PVDF* FKM - F
	562 741...	562 751...	562 797...
DN = Art.-no.	€/pc.	€/pc.	€/pc.
080	2.958,85	3.067,25	3.922,60
100	3.036,00	3.155,70	4.072,85
125	3.456,10	3.610,55	4.735,65
150	3.730,10	4.009,10	5.375,45
200	5.043,60	5.438,60	7.454,65
250	6.241,65	6.850,75	9.348,90

* disc



Butterfly throttle valve type LDK

- 100 % tight closing version (Leakage according DIN EN 12266-1 A)
- disc with rib made of body material
- stainless steel shaft, encapsulated with pipe made of body material
- face-to-face length acc. to company standard
- flange dimension acc. to common ventilation standards
- pneumatic or electric actuator

please contact us





Butterfly throttle valve type LDK

Discount group 105

- leakage rate 0,5 vol. % (lower leakage rate on request)
- disc with rib made of body material
- stainless steel shaft, encapsulated with pipe made of body material
- self locking gear with continuous optical position indication
- face-to-face length acc. to company standard
- flange dimension acc. to common ventilation standards
- optional limit switch, pneumatic or electric actuator

Flange with lever

Article group	PP*	
	EPDM	FKM
579 011...		
579 014...		
DN = Art.-no.	€/pc.	€/pc.
250	2.011,30	2.011,30
300	2.782,40	2.782,40
350	3.432,75	3.432,75
400	3.886,40	3.886,40
450	4.249,15	4.249,15
500	4.536,60	4.536,60

Article group	PP*	
	EPDM	FKM
579 011...		
579 014...		
DN = Art.-no.	€/pc.	€/pc.
600	5.610,15	5.610,15
700	7.303,70	7.303,70
800	8.316,75	8.316,75
900	9.723,05	9.723,05
1000	11.099,10	11.099,10



Flange with gear and handwheel

Article group	PP*	
	EPDM	FKM
579 511...		
579 514...		
DN = Art.-no.	€/pc.	€/pc.
250	2.616,15	2.616,15
300	3.281,50	3.281,50
350	3.704,80	3.704,80
400	4.158,50	4.158,50
450	4.536,35	4.536,35
500	4.808,75	4.808,75
600	5.882,25	5.882,25
700	7.575,85	7.575,85
800	8.589,10	8.589,10
900	9.995,30	9.995,30

Article group	PP*	
	EPDM	FKM
579 511...		
579 514...		
DN = Art.-no.	€/pc.	€/pc.
1000	11.250,35	11.250,35
1100	-	-
1200	14.637,35	14.637,35
1300	16.467,00	16.467,00
1400	19.355,15	19.355,15
1500	22.923,65	22.923,65
1600	on	
1800	request	
2000	request	

* PE, PPS-el, PVDF or GRP-reinforced body on request



Ball valve type 21

Discount group 35

- integrated DIN- / ISO-top flange
- true union
- flange connection acc. to DIN EN 1092-1 – PN 10
- face-to-face length acc. to DIN EN 558:2012-03 line FTF 1
- retrofittable with electric or pneumatic actuator
- integrated holder
- with lockable hand lever see accessories (page 80)

Flange

DN = Art.-no.	PVC - U		PVC - C		PP		PVDF
	EPDM	FKM	EPDM	FKM	EPDM	FKM	FKM - F
Art. group	521 131...	521 134...	521 141...	521 144...	521 111...	521 114...	521 156...
	€/pc.	€/pc.	€/pc.	€/pc.	€/pc.	€/pc.	€/pc.
010	84,65	130,55	141,15	170,75	158,90	192,25	463,45
015	87,30	135,10	145,55	177,00	163,60	198,70	477,85
020	97,65	151,70	180,15	216,40	182,40	223,15	573,50
025	114,90	183,20	217,30	264,30	217,05	269,75	714,85
032	143,70	227,05	308,75	365,85	272,20	335,95	1.015,50
040	174,65	271,60	348,55	413,65	330,80	403,25	1.333,40
050	215,35	358,85	520,35	624,20	411,00	527,20	1.840,85
065	353,15	563,15	634,70	779,35	664,60	827,35	2.877,65
080	464,90	712,70	792,65	955,20	758,05	940,00	3.610,45
100	783,95	1.130,65	1.389,90	1.593,05	1.271,40	1.498,65	6.147,15



Socket

Art. group	521 231...		521 234...		521 241...		521 244...		521 311...		521 314...		521 356...
	€/pc.	€/pc.	€/pc.	€/pc.	€/pc.	€/pc.	€/pc.	€/pc.	€/pc.	€/pc.	€/pc.	€/pc.	
010	53,95	93,95	92,20	122,10	95,30	128,65							258,50
015	67,30	104,90	92,30	158,15	106,30	143,80							288,25
020	75,95	120,65	108,95	180,30	126,25	165,70							359,95
025	89,55	147,00	126,30	223,20	147,30	204,30							459,45
032	109,40	179,70	183,20	320,85	177,95	246,95							597,50
040	142,65	225,05	196,75	428,55	232,90	311,60							852,10
050	179,30	310,10	302,70	568,85	294,65	424,30							1.194,55
065	274,20	465,95	368,85	680,25	408,50	594,40							2.047,80
080	372,50	634,85	460,35	833,60	500,00	707,20							2.675,10
100	657,70	945,55	977,65	1.360,55	872,80	1.134,40							5.671,25



Ball valve type 21

Discount group 35

- integrated DIN- / ISO-top flange
- true union
- retrofittable with electric or pneumatic actuator
- integrated holder
- with lockable hand lever see accessories (page 80)

Threaded socket

DN = Art.-no.	PVC - U		PVC - C		PP		PVDF
	EPDM	FKM	EPDM	FKM	EPDM	FKM	FKM - F
Art. group	521 431...	521 434...	521 441...	521 444...	521 411...	521 414...	521 456...
	€/pc.	€/pc.	€/pc.	€/pc.	€/pc.	€/pc.	€/pc.
010	53,95	93,95	92,20	122,10	95,30	128,65	258,50
015	67,30	104,90	92,30	158,15	106,30	143,80	288,25
020	75,95	120,65	108,95	180,30	126,25	165,70	359,95
025	89,55	147,00	126,30	223,20	147,30	204,30	459,45
032	109,40	179,70	183,20	320,85	177,95	246,95	597,50
040	142,65	225,05	196,75	428,55	232,90	311,60	852,10
050	179,30	310,10	302,70	568,85	294,65	424,30	1.194,55
065	274,20	465,95	368,85	680,25	408,50	594,40	2.047,80
080	372,50	634,85	460,35	833,60	500,00	707,20	2.675,10
100	657,70	945,55	977,65	1.360,55	872,80	1.134,40	5.671,25

DN = Art.-no.	PE- welding socket		PE-spigot SDR 11		PE-long spigot SDR 11		PE- welding socket	PVDF-spigot SDR 21	
	EPDM	FKM	EPDM	FKM	EPDM	FKM	EPDM	FKM - F	
Art. group	521 631...	521 634...	521 531...	521 534...	521 831...	521 834...	521 811...	521 814...	521 656...
	€/pc.	€/pc.	€/pc.	€/pc.	€/pc.	€/pc.	€/pc.	€/pc.	€/Stück
015	67,30	104,85	67,30	104,85	67,30	104,85	106,30	143,80	288,25
020	75,95	120,65	75,95	120,65	75,95	120,65	126,25	165,70	359,95
025	89,55	146,80	89,55	146,80	89,55	146,80	147,30	204,30	459,45
032	109,40	179,70	109,40	179,70	109,40	179,70	177,95	246,95	597,45
040	142,65	225,05	142,65	225,05	142,65	225,05	232,90	311,60	852,10
050	179,30	311,25	179,30	311,25	179,30	311,25	294,65	424,30	1.194,55
065	274,15	465,80	274,15	465,80	274,15	465,80	408,50	594,40	2.047,80
080	372,40	634,85	372,40	634,85	372,40	634,85	500,00	707,20	2.675,10
100	657,60	945,55	657,70	945,55	657,70	945,55	872,80	1.135,60	5.671,25



Ball valve type 21

Discount group 35

- integrated DIN- / ISO-top flange
- true union
- retrofittable with electric or pneumatic actuator
- integrated holder
- with lockable hand lever see accessories (page 80)

	PE-spigot SDR 11		PP-spigot SDR 11		PE-long spigot SDR 11		PP-long spigot SDR 11	
DN = Art.-no.	PP		PP		PP		PP	
	EPDM	FKM	EPDM	FKM	EPDM	FKM	EPDM	FKM
Art. group	521 511...	521 514...	521 211...	521 214...	521 711...	521 714...	521 911...	521 914...
	€/pc.		€/pc.		€/pc.		€/pc.	
015	105,90	143,80	105,90	143,80	105,90	143,80	106,30	143,80
020	126,25	165,70	126,25	165,70	126,25	165,70	126,25	165,70
025	147,30	204,30	147,30	204,30	147,30	204,30	147,30	204,30
032	177,95	246,95	177,95	246,95	177,95	246,95	177,95	246,95
040	232,90	311,60	232,90	311,60	232,90	311,60	232,90	311,60
050	294,65	424,30	294,65	424,30	294,65	424,30	294,65	424,30
065	408,50	594,40	408,50	594,40	408,50	594,40	408,50	594,40
080	500,00	707,20	500,00	707,20	500,00	707,20	500,00	707,20
100	872,80	1.134,40	872,80	1.134,40	872,80	1.134,40	872,80	1.134,40



Ball valve type 21 AR with pneumatic actuator

Discount group 43

Specification of actuator:

- corrosion proof actuator without exposed metal parts
- easy mounting of actuator „click and ready“
- interface acc. to VDI / VDE or NAMUR
- control pressure 4 - 7 bar
- solenoid valve, limit switch etc. see accessories (pages 83 and 86)

- Function single acting – air to open

Flange

Article group	PVC - U		PVC - C		PP		PVDF
	EPDM	FKM	EPDM	FKM	EPDM	FKM	FKM - F
585 101...	585 111...	585 121...	585 124...	585 141...	585 151...	585 181...	
DN = Art.-no.	€/pc.		€/pc.		€/pc.		€/pc.
015*	340,50	348,65	353,40	363,90	352,25	363,90	586,30
020*	342,30	354,15	363,45	375,20	357,70	369,50	618,00
025*	349,15	364,30	375,50	390,65	367,85	383,10	664,45
032	366,80	385,35	414,75	430,20	390,65	409,05	769,50
040	470,75	491,60	516,50	537,60	499,30	520,30	1.011,80
050	486,10	519,80	572,35	605,90	522,55	556,25	1.198,00

- *
 1) required for mounting of a NAMUR solenoid valve: NAMUR adapter plate (596 711 200) 39,40 €
 2) required for mounting of a VDI / VDE conform limit switch box: VDI / VDE adapter set (596 711 201) 56,85 €

- Function single acting – air to close

same price like air to open
 article group 587 ...

- Function double acting

Flange

Article group	PVC - U		PVC - C		PP		PVDF
	EPDM	FKM	EPDM	FKM	EPDM	FKM	FKM - F
581 101...	581 111...	581 121...	581 124...	581 141...	581 151...	581 181...	
DN = Art.-no.	€/pc.		€/pc.		€/pc.		€/pc.
015*	253,40	261,60	266,40	276,90	265,20	276,90	472,75
020*	258,75	270,50	279,70	291,50	274,00	285,75	508,70
025*	265,40	280,60	291,70	306,90	284,20	299,35	555,15
032*	283,55	302,00	331,50	346,95	307,25	325,65	660,80
040	371,45	392,50	417,40	438,40	400,15	421,10	882,40
050	386,95	420,65	473,05	506,70	423,45	457,10	1.068,30

- *
 1) required for mounting of a NAMUR solenoid valve: NAMUR adapter plate (596 711 200) 39,40 €
 2) required for mounting of a VDI / VDE conform limit switch box: VDI / VDE adapter set (596 711 201) 56,85 €



Ball valve type 21 AR with pneumatic actuator

Discount group 43

Specification of actuator:

- corrosion proof actuator without exposed metal parts
- easy mounting of actuator „click and ready“
- interface acc. to VDI / VDE or NAMUR
- control pressure 4 - 7 bar
- solenoid valve, limit switch etc. see accessories (pages 83 and 86)

- Function single acting – air to open

Socket

Article group	PVC - U		PVC - C		PP		PVDF
	EPDM	FKM	EPDM	FKM	EPDM	FKM	FKM - F
585 102...	585 112...	585 122...	585 125...	585 142...	585 152...	585 182...	
DN = Art.-no.	€/pc.		€/pc.		€/pc.		€/pc.
015*	327,10	337,55	342,90	352,35	335,05	344,75	516,25
020*	330,30	343,15	348,55	360,60	339,65	350,45	543,90
025*	335,55	350,70	358,20	373,85	346,95	362,25	575,90
032	350,25	370,80	391,70	410,70	363,75	382,20	631,75
040	453,65	474,65	492,50	535,75	471,35	492,30	855,20
050	465,85	502,35	544,30	578,90	490,25	521,35	985,55

- * 1) required for mounting of a NAMUR solenoid valve: NAMUR adapter plate (596 711 200) 39,40 €
 2) required for mounting of a VDI / VDE conform limit switch box: VDI / VDE adapter set (596 711 201) 56,85 €

- Function single acting – air to close

same price like air to open
 article group 587 ...

- Function double acting

Socket

Article group	PVC - U		PVC - C		PP		PVDF
	EPDM	FKM	EPDM	FKM	EPDM	FKM	FKM - F
581 102...	581 112...	581 122...	581 125...	581 142...	581 152...	581 182...	
DN = Art.-no.	€/pc.		€/pc.		€/pc.		€/pc.
015*	240,10	250,45	255,85	265,30	248,00	257,60	402,70
020*	246,60	259,45	264,80	276,95	255,95	266,80	434,60
025*	251,80	267,05	274,50	290,05	263,15	278,35	466,70
032*	266,95	287,15	308,45	327,35	280,50	298,85	523,05
040	354,55	375,65	393,25	436,55	372,10	393,15	725,70
050	366,65	403,20	445,15	479,85	391,05	422,20	856,10

- * 1) required for mounting of a NAMUR solenoid valve: NAMUR adapter plate (596 711 200) 39,40 €
 2) required for mounting of a VDI / VDE conform limit switch box: VDI / VDE adapter set (596 711 201) 56,85 €



Ball valve type 21 with pneumatic actuator

Discount group 40

Specification of actuator:

- interface acc. to DIN / ISO or NAMUR
- setting for rotation angle limitation for position „OPEN“ and „CLOSE“
- control pressure 6 - 8 bar (alternative control pressure on request)
- solenoid valve, limit switch etc. see accessories (pages 83 and 86)

- Function single acting – air to open

Flange

Article group	PVC - U		PVC - C		PP		PVDF
	EPDM	FKM	EPDM	FKM	EPDM	FKM	FKM - F
585 501...	585 511...	585 521...	585 524...	585 541...	585 551...	585 581...	
DN = Art.-no.	€/pc.	€/pc.	€/pc.	€/pc.	€/pc.	€/pc.	€/pc.
015	643,65	667,45	675,05	699,60	675,90	699,65	1.101,65
020	655,10	683,00	704,80	732,40	691,15	719,00	1.177,90
025	671,45	706,80	733,00	768,35	715,00	751,15	1.285,75
032	756,10	799,25	861,50	904,55	811,30	855,10	1.592,00
040	939,75	989,40	1.047,70	1.097,45	1.007,45	1.056,60	2.038,40
050	976,45	1.055,65	1.179,00	1.258,30	1.062,00	1.141,45	2.424,95
065	1.154,30	1.264,10	1.318,80	1.429,60	1.287,95	1.398,40	3.285,95
080	1.387,80	1.512,30	1.572,70	1.697,15	1.484,35	1.608,85	4.019,60
100	1.923,50	2.078,45	2.276,50	2.431,45	2.081,60	2.237,15	6.278,60

- Function single acting – air to close

same price like air to open
article group 587 ...

- Function double acting

Flange

Article group	PVC - U		PVC - C		PP		PVDF
	EPDM	FKM	EPDM	FKM	EPDM	FKM	FKM - F
581 501...	581 511...	581 521...	581 524...	581 541...	581 551...	581 581...	
DN = Art.-no.	€/pc.	€/pc.	€/pc.	€/pc.	€/pc.	€/pc.	€/pc.
015	545,45	569,50	577,45	602,05	578,05	601,75	973,35
020	557,05	584,75	606,70	634,70	593,25	621,25	1.050,30
025	573,35	608,75	635,20	670,65	617,20	653,20	1.157,65
032	596,45	639,70	702,30	745,30	651,90	695,60	1.383,85
040	636,50	686,15	744,75	794,35	704,25	753,60	1.642,90
050	673,15	752,35	876,00	955,30	758,70	838,25	2.029,45
065	901,30	1.011,50	1.066,30	1.176,80	1.035,45	1.145,50	2.956,00
080	1.104,50	1.228,90	1.289,55	1.414,05	1.201,30	1.325,20	3.649,80
100	1.709,30	1.864,45	2.062,20	2.217,20	1.867,65	2.012,75	5.999,20



Ball valve type 21 with pneumatic actuator

Discount group 40

Specification of actuator:

- interface acc. to DIN / ISO or NAMUR
- setting for rotation angle limitation for position „OPEN“ and „CLOSE“
- control pressure 6 - 8 bar (alternative control pressure on request)
- solenoid valve, limit switch etc. see accessories (pages 83 and 86)

- Function single acting – air to open

Socket							
Article group	PVC - U		PVC - C		PP		PVDF
	EPDM	FKM	EPDM	FKM	EPDM	FKM	FKM - F
585 502...	585 512...	585 522...	585 525...	585 542...	585 552...	585 582...	
DN = Art.-no.	€/pc.		€/pc.		€/pc.		€/pc.
015	615,40	639,30	635,10	659,00	631,50	655,10	947,50
020	626,75	629,30	650,00	677,75	646,90	674,45	1.002,75
025	639,30	675,15	663,55	698,90	666,25	701,45	1.077,15
032	716,85	760,45	765,75	808,65	748,40	792,20	1.254,95
040	899,85	949,30	931,80	981,50	941,60	990,95	1.650,65
050	928,80	1.007,80	1.012,80	1.092,10	980,30	1.059,05	1.899,55
065	1.051,75	1.162,40	1.115,85	1.226,75	1.107,15	1.217,85	2.204,65
080	1.258,55	1.382,30	1.319,65	1.443,35	1.294,45	1.418,75	2.767,60
100	1.718,50	1.873,80	1.961,90	2.116,80	1.775,45	1.930,30	4.786,55

- Function single acting – air to close

same price like air to open
article group 587 ...

- Function double acting

Socket							
Article group	PVC - U		PVC - C		PP		PVDF
	EPDM	FKM	EPDM	FKM	EPDM	FKM	FKM - F
581 502...	581 512...	581 522...	581 525...	581 542...	581 552...	581 582...	
DN = Art.-no.	€/pc.		€/pc.		€/pc.		€/pc.
015	517,20	541,10	537,30	561,15	533,25	556,95	819,30
020	528,90	556,70	552,00	579,65	548,90	576,25	875,05
025	541,10	577,45	565,75	601,00	568,00	603,40	949,20
032	557,05	601,00	606,30	649,25	588,70	632,45	1.046,45
040	596,45	646,00	628,80	678,35	638,40	688,00	1.255,20
050	625,65	704,95	709,65	788,80	677,10	756,15	1.503,75
065	799,05	909,75	863,25	974,05	854,50	964,85	1.963,05
080	975,10	1.099,60	1.036,30	1.159,90	1.011,15	1.135,40	2.397,55
100	1.504,35	1.659,35	1.747,75	1.902,40	1.560,90	1.716,20	4.506,70



Ball valve type 21 with electric actuator

Discount group 40

Specification of actuator:

- protection class IP 67
- optical position indication
- emergency manual override
- integrated heating
- 2 potential free limit switches for feedback „OPEN“ and „CLOSE“

- Voltage 24 - 240 V (AC / DC)

Flange

Article group	PVC - U		PVC - C		PP		PVDF
	EPDM	FKM	EPDM	FKM	EPDM	FKM	FKM - F
561 501...	561 511...	561 521...	561 524...	561 541...	561 551...	561 581...	
DN = Art.-no.	€/pc.	€/pc.	€/pc.	€/pc.	€/pc.	€/pc.	€/pc.
015	961,30	984,95	992,60	1.017,05	993,40	1.017,05	1.421,25
020	973,30	1.000,95	1.022,65	1.050,35	1.009,75	1.036,80	1.593,10
025	989,55	1.024,90	1.051,40	1.086,70	1.033,40	1.069,30	1.700,60
032	1.013,05	1.056,20	1.119,05	1.161,85	1.068,70	1.112,55	1.927,30
040	1.053,85	1.103,55	1.161,85	1.211,80	1.121,35	1.170,95	2.187,50
050	1.090,45	1.169,90	1.293,45	1.372,65	1.176,25	1.255,40	2.574,40
065	1.375,30	1.496,10	1.557,40	1.690,60	1.512,90	1.607,00	3.342,25
080	1.608,60	1.869,80	1.957,65	2.057,65	1.760,25	1.912,65	4.081,35
100	2.339,85	2.423,05	2.471,55	2.694,55	2.439,85	2.594,05	6.382,55

Socket

Article group	561 502...		561 512...		561 522...		561 525...		561 542...		561 552...		561 582...
	DN = Art.-no.	€/pc.	€/pc.	€/pc.	€/pc.	€/pc.	€/pc.	€/pc.	€/pc.	€/pc.	€/pc.	€/pc.	
015	932,65	956,55	952,85	976,45	948,75	972,60	1.361,65						
020	945,10	972,60	968,20	995,80	964,80	992,75	1.418,25						
025	957,30	993,40	981,75	1.017,05	984,30	1.019,50	1.492,10						
032	974,15	1.017,65	1.023,00	1.065,90	1.005,40	1.049,50	1.590,50						
040	1.014,10	1.063,50	1.046,05	1.095,65	1.055,75	1.105,35	1.799,95						
050	1.043,05	1.122,05	1.127,00	1.206,50	1.094,60	1.173,55	2.048,85						
065	1.304,25	1.425,55	1.435,70	1.619,40	1.366,50	1.473,25	2.745,50						
080	1.502,95	1.764,25	1.684,60	2.043,40	1.660,25	1.738,95	3.500,95						
100	2.192,25	2.340,00	2.412,95	2.553,45	2.235,70	2.336,40	5.980,25						



Monobloc ball valve types 27 / 27 A

Discount group 132

- Monobloc-body with fix flange
- flange connection acc. to DIN EN 1092-1 – PN 10
- face-to-face length acc. to DIN EN 558:2012-03 line FTF 1
- ball seat PTFE
- type 27 (DN 15 - DN 50) with cranked lever
- type 27 A (DN 65 - DN 100) with lockable lever
- retrofittable with electric or pneumatic actuator
- possible in electroconductive material acc. to ATEX directive 2014/34/EU (see page 44)
- possible flange connection acc. to ANSI B 16.5 Class 150

DIN-Flange

Article group	PP			PPG			PVDF	
	EPDM	FKM	FEP	EPDM	FKM	FEP	FKM	FEP
527 0111...	527 0114...	527 0117...	527 0121...	527 0124...	527 0127...	527 0154...	527 0157...	
DN = Art.-no.	€/pc.	€/pc.	€/pc.	€/pc.	€/pc.	€/pc.	€/pc.	€/pc.
015	117,35	132,10	209,45	117,35	132,10	209,45	353,30	512,85
020	123,55	138,80	256,10	123,55	138,80	256,10	379,40	546,85
025	170,25	187,35	281,05	170,25	187,35	281,05	484,40	596,90
032	213,85	230,25	362,30	213,85	230,25	362,30	609,20	820,50
040	253,25	279,65	392,10	253,25	279,65	392,10	802,60	933,90
050	277,40	307,15	509,70	277,40	307,15	509,70	978,00	1.321,65
065	583,50	633,95	871,15	583,50	633,95	871,15	1.552,10	2.117,85
080	688,75	755,50	1.024,10	688,75	755,50	1.024,10	2.210,00	3.013,65
100	874,95	943,90	1.239,90	874,95	943,90	1.239,90	2.524,80	3.360,05
125	2.372,90	2.570,60	*	-	-	-	-	-
150	2.768,35	*	*	-	-	-	-	-

* on request



3/2-way ball valve type 23

Discount group 35

- integrated DIN- / ISO-top flange
- true union
- flange connection acc. to DIN EN 1092-1 – PN 10
- face-to-face length acc. to DIN EN 558:2012-03 line FTF 1
- standard with vertical L-port, on request with double L-port-ball or up to DN 50 with cross-port-ball (see page 96)
- other connections on request

Flange							
DN = Art.-no.	PVC - U		PVC - C		PP		PVDF
	EPDM	FKM	EPDM	FKM	EPDM	FKM	FKM - F
Art. group	523 131...	523 134...	523 141...	523 144...	523 111...	523 114...	523 156...
	€/pc.	€/pc.	€/pc.	€/pc.	€/pc.	€/pc.	€/pc.
015	231,25	275,80	288,00	332,40	276,95	321,50	897,85
020	288,60	345,15	346,55	403,15	330,25	386,20	1.247,90
025	389,80	474,85	518,35	603,70	459,20	544,65	1.854,80
040	660,50	800,50	816,50	956,15	799,00	938,95	2.678,30
050	974,05	1.127,00	1.259,85	1.412,70	1.157,95	1.310,95	4.154,70
080	1.724,75	1.956,05	2.360,00	2.591,15	2.081,65	2.313,05	8.873,50
100	2.273,80	2.509,35	2.948,25	3.183,70	2.698,50	2.934,15	10.936,05

Socket							
Art. group	523 231...	523 234...	523 241...	523 244...	523 311...	523 314...	523 356...
	€/pc.	€/pc.	€/pc.	€/pc.	€/pc.	€/pc.	€/pc.
015	140,25	184,65	175,10	219,60	168,00	212,55	613,20
020	161,65	218,15	194,65	251,45	188,65	245,15	793,40
025	196,35	281,90	260,50	345,65	235,65	321,05	1.066,40
040	380,95	520,60	468,15	607,90	456,55	596,45	1.750,10
050	495,20	648,35	638,70	791,70	594,00	747,10	2.402,65
080	1.084,70	1.292,65	1.473,55	1.704,90	1.301,45	1.532,55	5.639,50
100	1.799,10	1.964,10	1.964,10	2.559,30	2.159,00	2.394,70	8.686,75



3/2-way ball valve type 23 with pneumatic actuator

Discount group 40

Specification of actuator:

- interface acc. to DIN / ISO or NAMUR
- setting for rotation angle limitation for position 0° and 180°
- control pressure 6 - 8 bar (alternative control pressure on request)
- solenoid valve, limit switch etc. see accessories (pages 83 and 86)
- standard with vertical L-port, on request with double L-port-ball or up to DN 50 with cross-port-ball (see page 96)
- other connections on request

- Function double acting

Flange

Article group	PVC - U		PVC - C		PP		PVDF
	EPDM	FKM	EPDM	FKM	EPDM	FKM	FKM - F
581 601...	581 611...	581 621...	581 624...	581 641...	581 651...	581 681...	
DN = Art.-no.	€/pc.	€/pc.	€/pc.	€/pc.	€/pc.	€/pc.	€/pc.
015	1.109,10	1.141,45	1.150,15	1.182,50	1.141,95	1.174,65	1.879,05
020	1.150,65	1.191,10	1.192,40	1.233,45	1.180,55	1.221,55	2.132,85
025	1.230,05	1.291,10	1.322,50	1.384,50	1.279,80	1.341,70	2.579,75
040	1.425,55	1.527,05	1.538,25	1.640,35	1.526,10	1.627,25	3.175,55
050	1.617,05	1.728,20	1.823,65	1.934,40	1.750,35	1.861,30	4.198,20
080	2.451,00	2.618,05	2.961,65	3.129,25	2.738,05	2.905,20	8.501,50
100	3.811,75	3.982,35	4.509,80	4.679,90	4.251,20	4.421,85	13.121,20

Socket

Article group	581 602...		581 612...		581 622...		581 625...		581 642...		581 652...		581 682...
	DN = Art.-no.	€/pc.	€/pc.	€/pc.	€/pc.	€/pc.	€/pc.	€/pc.	€/pc.	€/pc.	€/pc.	€/pc.	
015	1.043,15	1.075,35	1.068,15	1.100,85	1.063,55	1.095,45	1.672,55						
020	1.058,60	1.099,65	1.082,40	1.123,45	1.078,40	1.119,30	1.803,75						
025	1.089,45	1.151,35	1.135,70	1.197,70	1.118,05	1.179,95	2.008,70						
040	1.223,40	1.324,25	1.286,30	1.387,85	1.278,05	1.379,70	2.503,60						
050	1.270,30	1.381,65	1.374,45	1.484,80	1.342,30	1.452,90	2.929,75						
080	1.936,20	2.103,25	2.248,85	2.415,90	2.110,45	2.277,65	6.068,35						
100	3.321,55	3.491,80	3.863,40	4.033,75	3.693,20	3.863,60	10.795,15						



3/2-way ball valve type 23 with electric actuator

Discount group 40

Specification of actuator:

- protection class IP 67
- optical position indication
- emergency manual override
- integrated heating
- 2 potential free limit switches for feedback 0° and 180°
- standard with vertical L-port, on request with double L-port-ball or up to DN 50 with cross-port-ball (see page 96)
- other connections on request

- Voltage 24 - 240 V (AC / DC)

Flange

Article group	PVC - U		PVC - C		PP		PVDF
	EPDM	FKM	EPDM	FKM	EPDM	FKM	FKM - F
561 601...	561 611...	561 621...	561 624...	561 641...	561 651...	561 681...	
DN = Art.-no.	€/pc.	€/pc.	€/pc.	€/pc.	€/pc.	€/pc.	€/pc.
015	1.196,15	1.228,40	1.237,40	1.269,40	1.228,95	1.261,70	1.992,65
020	1.293,25	1.278,50	1.279,60	1.320,50	1.267,50	1.308,60	2.246,55
025	1.317,25	1.378,45	1.422,95	1.471,75	1.367,05	1.428,95	2.693,25
040	1.512,75	1.614,40	1.625,55	1.727,50	1.613,15	1.714,20	3.289,20
050	1.704,25	1.815,25	1.911,00	2.021,65	1.837,10	1.948,40	4.312,00
080	2.489,85	2.710,95	2.988,35	3.147,15	2.671,90	2.740,45	8.291,25
100	3.193,25	3.411,15	3.762,20	3.923,95	3.350,60	3.583,25	10.163,90

Socket

Article group	PVC - U		PVC - C		PP		PVDF
	EPDM	FKM	EPDM	FKM	EPDM	FKM	FKM - F
561 602...	561 612...	561 622...	561 625...	561 642...	561 652...	561 682...	
DN = Art.-no.	€/pc.	€/pc.	€/pc.	€/pc.	€/pc.	€/pc.	€/pc.
015	1.130,45	1.162,75	1.155,15	1.188,00	1.150,65	1.182,75	1.786,40
020	1.145,90	1.186,95	1.169,25	1.210,40	1.165,85	1.206,50	1.917,65
025	1.176,70	1.238,60	1.223,10	1.284,95	1.205,20	1.267,05	2.122,45
040	1.310,65	1.411,50	1.373,70	1.475,25	1.365,30	1.466,75	2.617,45
050	1.357,65	1.469,05	1.461,50	1.572,00	1.429,45	1.540,35	3.043,05
080	2.106,40	2.254,55	2.379,70	2.538,55	2.169,55	2.398,35	5.836,45
100	2.973,35	3.149,55	3.335,65	3.495,35	3.090,00	3.214,15	8.492,45



3/2-way ball valve type 23 H

Discount group 35

Specification of actuator:

- integrated DIN- / ISO-top flange
- true union
- flange connection acc. to DIN EN 1092-1 – PN 10
- face-to-face length acc. to DIN EN 558:2012-03 line FTF 1
- ball seat PTFE
- horizontal T-port
- retrofittable with electric or pneumatic actuator
- other connections on request

Flange

Socket

PP

EPDM

FKM

PP

EPDM

FKM

Article group

527 111...

527 114...

527 311...

527 314...

DN = Art.-no.

€/pc.

€/pc.

€/pc.

€/pc.

025

446,10

529,15

032

776,25

938,90

040

776,25

938,90

238,60

311,90

462,50

579,55

462,50

579,55



ECTFE-ball valve type 22

Specification of actuator:

- ball valve ECTFE
- o-rings in Kalrez® Spectrum 6375
- integrated DIN- / ISO-top flange
- true union
- metal free design for highest safety
- retrofittable with electric or pneumatic actuator
- other connections on request

Spigot

ECTFE

Kalrez® 6375

Article group

522 998...

DN = Art.-no.

€/pc.

015

020

025

on

request



Lab cock type 24

Discount group 35

- face-to-face length acc. to company standard
- with lever and regulating scale

PVC - U
EPDM

Article group 524 631...


Art.-no.	€/pc.
144	40,95
224	46,40
244	46,40
344	46,40
322	46,40
324	46,40
488	46,40
444	46,40
448	46,40
584	46,40
582	46,40
542	46,40
544	46,40
684	46,40
644	46,40

Connection 1		Connection 2	
hose connection	1/4"	hose connection	1/4"
male thread	1/2"	hose connection	1/4"
male thread	1/4"	hose connection	1/4"
male thread	1/4"	male thread	1/4"
male thread	1/2"	male thread	1/2"
male thread	1/2"	male thread	1/4"
female thread	3/8"	female thread	3/8"
female thread	1/4"	female thread	1/4"
female thread	1/4"	female thread	3/8"
female thread	3/8"	male thread	1/4"
female thread	3/8"	male thread	1/2"
female thread	1/4"	male thread	1/2"
female thread	1/4"	male thread	1/4"
female thread	3/8"	hose connection	1/4"
female thread	1/4"	hose connection	1/4"



Monobloc ball valve types 27 / 27 A

Discount group 132

- electro-conductive  II 2 GD T6 acc. to ATEX directive 2014/34/EU
- Monobloc-body with fix flange
- flange connection acc. to DIN EN 1092-1 – PN 10
- face-to-face length acc. to DIN EN 558:2012-03 line FTF 1
- ball seat PTFE
- retrofittable with electric or pneumatic actuator
- possible flange connection acc. to ANSI B 16.5 Class 150




electro-conductive with DIN-Flange

Article group	PE-el		PP-el			PVDF-el	
	EPDM	FKM	EPDM	FKM	FEP	FKM	FEP
527 1161...	527 1164...		527 1111...	527 1114...	527 1117...	527 1154...	527 1157...
DN = Art.-no.	€/pc.	€/pc.	€/pc.	€/pc.	€/pc.	€/pc.	€/pc.
015	301,30	325,25	215,95	241,60	358,70	477,60	893,00
020	371,40	397,20	225,35	264,80	438,85	483,95	952,90
025	418,40	462,90	322,70	341,35	481,80	549,50	1.039,75
032	539,15	577,20	438,75	457,25	620,85	854,15	1.429,45
040	598,05	651,70	448,05	462,00	672,00	1.079,15	1.627,35
050	716,25	777,15	519,95	554,70	873,70	1.282,10	2.036,90
065	1.340,20	1.435,65	1.034,70	1.124,05	1.493,00	2.797,75	3.689,90
080	1.581,65	1.694,65	1.348,60	1.492,40	1.755,30	3.983,50	5.092,20
100	1.999,20	2.114,55	1.508,40	1.678,05	2.125,35	4.550,70	5.162,05



Monobloc ball valve types 27 / 27 A

Discount group 132

- electro-conductive  II 2 GD T6 acc. to ATEX directive 2014/34/EU
- Monobloc-body with spigot SDR 11
- ball seat PTFE
- retrofittable with electric or pneumatic actuator



electro-conductive with spigot


Article group	PE-el spigot PE-el			Article group	PE-el spigot PE-el		
	EPDM	FKM	FEP		EPDM	FKM	FEP
527 1561...	527 1564...	527 1517...		527 1561...	527 1564...	527 1517...	
DN = Art.-no.	€/pc.	€/pc.	€/pc.	DN = Art.-no.	€/pc.	€/pc.	€/pc.
020	280,25	287,60	342,20	050	515,70	559,70	659,10
025	303,05	333,30	363,35	065	965,05	1.033,65	1.126,10
032	388,20	415,70	466,75	080	1.139,25	1.220,25	1.260,95
040	430,55	469,25	507,00	100	1.439,55	1.522,55	1.355,10



Y-check valve type 35 PP-el

Discount group 105

New!

- electro-conductive  II 2 GD T6 acc. to ATEX directive 2014/34/EU
- flange connection acc. to DIN EN 1092-1 – PN 10
- horizontal or vertical mounting
- with return spring
- possible flange connection acc. to ANSI B 16.5 Class 150



electro-conductive with DIN-Flange

PP-el

EPDM FKM

Article group 535 111... 535 114...

DN = Art.-no.

€/pc.

€/pc.


DN = Art.-no.	€/pc.	€/pc.
015EL	451,20	467,75
020EL	451,20	467,75
025EL	571,45	592,20
032EL	775,25	807,25
040EL	775,25	807,25
050EL	1.028,30	1.169,95



Y-strainer type 36 PP-el

Discount group 105

New!

- electro-conductive  II 2 GD T6 acc. to ATEX directive 2014/34/EU
- flange connection acc. to DIN EN 1092-1 – PN 10
- spigot end version as true union typ
- ETFE screen with mesh size 0,5 mm (0,25 mm or 1,0 mm on request)
- possible flange connection acc. to ANSI B 16.5 Class 150



electro-conductive

DIN-Flange

True union with spigot

PP-el

PP-el

EPDM FKM

EPDM FKM

Article group 536 111... 536 114... 536 211... 536 214...

DN = Art.-no.

€/pc.

€/pc.

€/pc.

€/pc.

DN = Art.-no.	€/pc.	€/pc.	€/pc.	€/pc.
015EL	451,20	467,95	517,10	536,15
020EL	451,20	467,95	517,10	536,15
025EL	571,45	592,65	597,45	619,60
032EL	775,25	807,75	834,30	899,70
040EL	775,25	807,75	834,30	899,70
050EL	1.028,30	1.170,70	1.181,85	1.270,50



Inspection glass type 29

Discount group 105

New!

- electro-conductive acc. to ATEX directive 2014/34/EU
- flange connection acc. to DIN EN 1092-1 – PN 10
- face-to-face length acc. to DIN EN 558:2012-03 line FTF 1
- inspection glass of borosilicate-glass
- possible flange connection acc. to ANSI B 16.5 Class 150



electro-conductive with DIN-Flansch

Article group	PP-el			PVDF-el		PE-el		
	EPDM	FKM	FEP	FKM	FEP	EPDM	FKM	FEP
529 1111...	529 1114...	529 1117...	529 1154...	529 1157...	529 1161...	529 1164...	529 1167...	
DN = Art.-no.	€/pc.	€/pc.	€/pc.	€/pc.	€/pc.	€/pc.	€/pc.	€/pc.
015	208,80	233,55	233,55	662,95	795,65	273,15	294,80	360,80
020	217,80	256,00	256,00	702,60	843,25	336,70	362,20	441,80
025	312,10	325,25	325,25	743,10	891,60	381,50	419,65	486,55
032	424,35	442,15	442,15	1.342,05	1.610,50	488,80	523,35	626,60
040	433,25	446,85	446,85	1.422,25	1.706,30	542,25	590,85	680,05
050	502,85	536,45	536,45	1.939,55	2.327,40	649,35	704,70	876,85



Y-shut off valve type 19 PP-el

Discount group 105

New!

- electro-conductive acc. to ATEX directive 2014/34/EU
- flange connection acc. to DIN EN 1092-1 – PN 10
- face-to-face length acc. to DIN EN 558:2012-03 line FTF 1
- horizontal or vertical mounting
- possible flange connection acc. to ANSI B 16.5 Class 150



electro-conductive

DIN-Flange

True union with spigot

PP-el

PP-el

FKM

EPDM

FKM

Article group 519 114... 519 211... 519 214...

DN = Art.-no.	€/pc.	€/pc.	€/pc.
015EL	514,50	568,80	589,85
020EL	514,50	568,80	681,55
025EL	651,50	657,15	681,55
032EL	888,00	917,80	989,70
040EL	888,00	917,80	989,70
050EL	1.286,85	1.300,10	1.397,50



Gate valve type C

Discount group 35

- type C normal with sack bottom
- type C soft seal with plain pass (for media with solids)
- flange connection acc. to DIN EN 1092-1 – PN 10
- face-to-face length acc. to company standard
- with handwheel and optical position indication

normal

HI - PVC
EPDM

Article group 513 131...

DN = Art.-no.	€/pc.
040	600,65
050	612,45
065	798,25
080	916,20
100	1.381,60
125	2.105,30

HI - PVC
EPDM

Article group 513 131...

DN = Art.-no.	€/Stück
150	2.750,75
200	3.596,65
250	5.433,15
300	7.162,00
350	13.541,10

soft seal

HI - PVC
SBR / EPDM

Article group 513 931...

DN = Art.-no.	€/Stück
040	891,90
050	908,45
065	1.098,30
080	1.271,35
100	1.706,45
125	2.323,95
150	3.088,05
200	4.481,85



Flange splash guard

Discount group 105

- flange splash guard made of PP textile
- designed for covering butterfly valves combined with flange connection on both sides (solid flange or loose flange and stub flange)
- hook-and-loop fastener and cord
- flange-flange-connections on request

PP
reinforcement

Article group 511 010...

DN = Art.-no.	€/pc.
040	55,85
050	55,85
065	55,85
080	73,80
100	81,40

PP
reinforcement

Article group 511 010...

DN = Art.-no.	€/pc.
125	73,80
150	73,80
200	91,75
250	91,75
300	*

* on request



2/2-way solenoid valve type 160

Discount group 105

- 2/2-way servo controlled; NC (normally closed)
- working pressure 0,3 - 6 bar
- duty ratio 100 % ED
- horizontal or vertical mounting
- protection class IP 65
- cement- or welding socket
- surcharge for **other connections** see page 88
- article code see below

	24 V DC				230 V / 50 Hz			
	PVC - U		PP		PVC - U		PP	
	EPDM	FKM	EPDM	FKM	EPDM	FKM	EPDM	FKM
Article group	516 311 000	516 341 000	516 111 000	516 141 000	516 313 000	516 343 000	516 113 000	516 143 000
DN = Art.-no.	€/pc.	€/pc.	€/pc.	€/pc.	€/pc.	€/pc.	€/pc.	€/pc.
15	409,00	424,15	652,55	659,85	409,00	424,15	652,55	659,85
20	529,25	543,55	872,05	889,70	529,25	543,55	872,05	889,70
25	606,65	627,00	982,40	1.001,15	606,65	627,00	982,40	1.001,15
32	883,40	917,40	1.476,90	1.508,75	883,40	917,40	1.476,90	1.508,75
40	883,40	917,40	1.476,90	1.508,75	883,40	917,40	1.476,90	1.508,75
50	987,45	1.041,95	1.611,65	1.659,75	987,45	1.041,95	1.611,65	1.659,75
Surcharge	connector with LED: 24,70 € ATEX design: 192,85 €		with emergency manual override: 85,65 € special voltage 110 V / 50 Hz: 21,45 €		normally open: 132,95 €			

2/2-way solenoid valve type 160

	Article code (example: type 160, DN 15, PVC/EPDM, 24 V DC, NC)
	Order number 5 16 3 1 1 0 0 0 15
Type overview	type 160 - 16
Body material	PVC - 3 PP - 1
Sealing material	EPDM - 1 FKM - 4
Voltage	24 V DC - 1 110 V / 50 Hz - 2 230 V / 50 Hz - 3
Switching function	normally closed (NC) - 0 normally open (NO) - 1
LED / ATEX	connector without LED - 0 connector with LED - 1 ATEX design - 2
Emergency manual override	without emergency manual override - 0 with emergency manual override - 1
Nominal diameter	DN 15 up to DN 50 - 15 / 20 / 25 / 32 / 40 / 50



Swing check valve type 33

Discount group 35

- swing check valve with excentric mounted swingarm
- flange connection acc. to DIN EN 1092-1 – PN 10
- face-to-face length acc. to DIN EN 558:2012-03 line FTF 48
- horizontal or vertical mounting
- free pass
- with maintenance bonnet
- bolts in stainless steel (1.4404 / SUS 316 L) available

DN =
Art.-no.

HI - PVC
EPDM PTFE / PFA

PP
EPDM CSM FKM PTFE / FKM-F

PVDF
PTFE / PFA

Art. group 533 131... 533 134... 533 111... 533 115... 533 112... 533 116... 533 154...

	HI - PVC		PP				PVDF
	EPDM	PTFE / PFA	EPDM	CSM	FKM	PTFE / FKM-F	PTFE / PFA
Art. group	533 131...	533 134...	533 111...	533 115...	533 112...	533 116...	533 154...
	€/pc.	€/pc.	€/pc.	€/pc.	€/pc.	€/pc.	€/pc.
015	404,05	481,00	482,30	530,55	626,95	801,55	1.368,05
020	404,05	481,00	482,30	530,55	664,60	849,85	1.368,05
025	435,35	543,65	541,85	595,80	767,50	981,20	2.098,85
032	544,95	679,75	679,75	747,35	959,75	1.227,05	3.056,15
040	544,95	679,75	679,75	747,35	959,75	1.227,05	3.056,15
050	693,85	848,65	859,10	944,80	1.263,65	1.615,45	4.218,60
065	960,30	1.217,15	1.192,55	1.311,70	1.917,55	2.451,15	5.732,40
080	1.166,25	1.503,25	1.436,45	1.580,15	2.146,00	2.743,30	6.276,75
100	1.625,45	2.160,90	2.021,90	2.224,05	3.230,45	4.129,15	9.857,00
125	2.308,45	2.955,85	2.852,75	3.137,90	4.109,40	5.252,70	14.608,35
150	3.277,75	4.011,15	3.998,10	4.398,15	5.604,50	7.163,65	19.709,25
200	6.165,65	7.050,65	7.560,45	8.316,30	9.312,30	11.902,75	28.774,10



Wafer check valve type 34

Discount group 105

- wafer check valve with short face-to-face length
- flange connection acc. to DIN EN 1092-1 – PN 10
- please consider a slow down of minimum (5 x DN) before and after the valve
- please consider cross section contraction and disc dimension
- horizontal or vertical mounting
- return spring necessary for horizontal mounting
- if applicable mounting of a flow booster on the outlet side (see page 51)

DN = Art.-no.	PVC - U		PVC - C		PP		PVDF	
	EPDM	FKM	EPDM	FKM	EPDM	FKM	FKM	PTFE
Art. group	534 031...	534 034...	534 041...	534 044...	534 011...	534 014...	534 054...	534 053...
	€/pc.	€/pc.	€/pc.	€/pc.	€/pc.	€/pc.	€/pc.	€/pc.
032	207,25	224,90	1.229,95	1.241,75	248,55	266,35		
040	230,85	251,50	1.324,75	1.338,60	275,20	295,80		
050	248,55	284,00	1.633,45	1.657,10	298,95	334,20		
065	257,35	304,45	1.709,30	1.740,85	310,75	357,90		
080	283,90	334,20	1.907,60	1.941,20	343,05	393,20		
100	319,40	393,20	2.152,05	2.201,45	384,35	458,35		on
125	354,90	446,50	2.218,05	2.279,30	425,70	517,35		request
150	399,30	520,45	2.675,20	2.756,00	479,00	600,00		
200	630,60	785,50	3.973,40	4.076,80	756,55	911,35		
250	1.122,85	1.322,40	5.574,60	5.707,70	1.347,15	1.546,75		
300	1.811,25	2.142,80	6.889,20	7.110,40	2.175,25	2.506,90		
350	10.258,30	10.716,00	*	*	9.426,20	9.693,60		
400	13.302,30	13.827,65	*	*	11.817,15	12.143,20		

with stainless steel (1.4571 / SUS 316 Ti) spring

DN = Art.-no.	PVC - U		PVC - C		PP		PVDF	
	EPDM	FKM	EPDM	FKM	EPDM	FKM	FKM	PTFE
Art. group	534 131...	534 134...	534 141...	534 144...	534 111...	534 114...	534 154...	534 153...
	€/pc.	€/pc.	€/pc.	€/pc.	€/pc.	€/pc.	€/pc.	€/pc.
032	331,30	349,00	1.365,85	1.354,00	372,65	390,40		
040	354,90	375,55	1.462,70	1.448,90	399,30	419,85		
050	381,50	416,90	1.789,90	1.766,25	431,70	467,05		
065	399,30	446,50	1.882,60	1.851,05	452,45	499,60		
080	434,60	484,95	2.091,65	2.058,05	493,60	544,10		
100	487,85	561,80	2.369,90	2.320,55	552,85	626,65		on
125	523,30	614,65	2.447,70	2.386,45	594,15	685,60		request
150	611,85	732,95	2.968,60	2.887,75	691,60	812,65		
200	848,45	1.003,55	4.294,70	4.191,35	974,50	1.129,60		
250	1.362,25	1.561,80	5.947,15	5.814,15	1.586,65	1.786,25		
300	2.092,95	2.424,70	7.392,25	7.171,10	2.457,15	2.788,85		
350	10.582,55	11.040,30	*	*	9.750,50	10.017,90		
400	13.678,20	14.203,50	*	*	12.193,05	12.519,05		

* on request

Wafer check valve type 34

Discount group 105

with Hastelloy C4 (2.4610 / B 574) spring

DN = Art.-no.	PVC - U		PVC - C		PP		PVDF	
	EPDM	FKM	EPDM	FKM	EPDM	FKM	FKM	PTFE
Art. group	534 231...	534 234...	534 241...	534 244...	534 211...	534 214...	534 254...	534 253...
	€/pc.	€/pc.	€/pc.	€/pc.	€/pc.	€/pc.	€/pc.	€/pc.
032	512,45	530,15	1.639,65	1.547,05	553,85	571,60		
040	545,70	566,40	1.977,20	1.653,50	590,05	610,65		
050	592,55	627,95	1.977,20	2.000,80	642,65	678,25		
065	615,95	663,05	2.067,75	2.099,20	669,15	716,40		
080	666,60	717,05	2.290,30	2.323,90	725,75	775,95		
100	736,25	809,95	2.568,95	2.618,30	801,20	874,95		on
125	810,25	901,85	2.673,50	2.734,70	881,10	972,75		request
150	907,95	1.029,15	3.183,85	3.264,65	987,65	1.108,75		
200	1.143,00	1.297,85	4.485,95	4.589,30	1.269,10	1.423,95		
250	1.773,30	1.972,80	6.225,00	6.358,10	1.997,50	2.197,25		
300	2.719,30	3.051,10	7.797,25	8.018,40	3.083,30	3.415,05		
350	11.616,75	12.074,45	*	*	10.784,65	11.052,05		
400	15.327,15	15.852,45	*	*	13.842,00	14.168,00		

* on request

Flow booster for wafer check valve type 34

Discount group 105

■ downstream side outlet for easy opening

DN = Art.-no.	PVC EPDM	PP EPDM	PP FKM	PVDF FKM
Art. group		534 511...	534 514...	
	€/pc.	€/pc.	€/pc.	€/pc.
032		71,15	76,20	
040		74,90	84,30	
050		79,30	88,90	
065		81,50	102,80	
080	on	92,50	115,60	
100		104,20	132,65	on
125	request	125,90	141,15	request
150		134,00	153,00	
200		196,65	217,60	
250		305,15	327,25	
300		586,80	618,40	
350		1.009,45	1.044,25	
400		1.199,90	1.238,00	



Ball check valve type 32

Discount group 35

- single union
- vertical installation
- consider minimum closing and opening pressures
- face-to-face length acc. to company standard

Socket

DN = Art.-no.	PVC - U		PVC - C		PP		PVDF
	EPDM	FKM	EPDM	FKM	EPDM	FKM	FKM - F
Art. group	532 231...	532 234...	532 241...	532 244...	532 311...	532 314...	532 356...
	€/pc.	€/pc.	€/pc.	€/pc.	€/pc.	€/pc.	€/pc.
015	64,70	84,70	129,25	149,20	117,75	137,40	297,10
020	76,40	98,10	137,10	159,40	124,45	146,20	406,60
025	93,55	120,90	151,20	178,90	137,70	165,30	522,70
040	140,25	196,35	205,15	261,25	186,75	242,95	977,75
050	182,65	267,15	240,95	325,35	219,00	303,50	1.456,10
080	301,55	425,60	397,80	521,90	361,70	485,80	2.488,05
100	769,65	1.010,30	1.015,70	1.256,35	923,20	1.164,10	5.631,00



Flange

DN = Art.-no.	PVC - U		PVC - C		PP		PVDF
	EPDM	FKM	EPDM	FKM	EPDM	FKM	FKM - F
Art. group	532 131...	532 134...	532 141...	532 144...	532 111...	532 114...	532 156...
	€/pc.	€/pc.	€/pc.	€/pc.	€/pc.	€/pc.	€/pc.
015	203,80	224,50	260,75	276,95	251,50	267,25	518,10
020	212,20	235,25	266,80	284,75	256,90	274,55	702,25
025	237,25	261,25	285,80	308,50	269,70	297,40	907,05
040	376,35	426,40	433,55	479,15	386,50	430,85	1.664,05
050	445,30	527,70	506,30	575,10	488,55	557,25	2.565,35
080	632,45	766,15	743,40	844,30	713,95	815,05	4.346,15
100	1.041,35	1.284,00	1.243,95	1.439,30	1.082,10	1.284,00	7.660,15



Ball check valve type 31

Discount group 35

- true union
- vertical installation
- consider minimum closing and opening pressures
- face-to-face length acc. to company standard
- other connections on request

Socket

DN = Art.-no.	PVC - U		PVC - C		PP		PVDF
	EPDM	FKM	EPDM	FKM	EPDM	FKM	FKM - F
Art. group	531 231...	531 234...	531 241...	531 244...	531 311...	531 314...	531 356...
	€/pc.	€/pc.	€/pc.	€/pc.	€/pc.	€/pc.	€/pc.
015	87,55	109,40	148,80	170,40	135,20	156,90	506,65
020	99,55	123,85	157,30	181,60	143,05	167,50	562,75
025	107,25	138,20	174,20	205,15	158,40	189,25	679,40
040	161,15	222,45	235,65	296,95	214,30	275,45	1.227,25
050	229,60	326,70	346,10	443,00	314,75	411,75	1.777,60



Ball foot valve type 30

Discount group 35

- vertical installation
- consider minimum closing and opening pressures
- face-to-face length acc. to company standard
- other connections on request

Socket

DN = Art.-no.	PVC - U		PP		PVDF
	EPDM	FKM	EPDM	FKM	FKM - F
Article group	530 231...	530 234...	530 311...	530 314...	530 356...
	€/pc.	€/pc.	€/pc.	€/pc.	€/pc.
015	99,30	115,90	218,15	234,45	755,80
020	115,45	137,60	245,15	263,35	922,70
025	146,20	169,20	289,00	312,05	1.256,10
040	280,50	327,50	390,40	437,15	2.092,05
050	327,70	398,40	483,55	553,90	2.463,70
080	787,50	891,30	1.165,75	1.269,35	5.537,65
100	1.010,60	1.211,80	1.474,80	1.675,65	7.480,85



Y-check valve type 35

Discount group 105

- true union
- flange connection acc. to DIN EN 1092-1 - PN 10
- face-to-face length acc. to DIN EN 558:2012-03 line FTF 1
- horizontal or vertical mounting
- PP- and PVDF valve with return spring
- other connections on request

Socket

Article group	PVC - U		PP		PVDF
	EPDM	FKM	EPDM	FKM	FKM
535 231...	535 234...		535 311...	535 314...	535 354...
DN = Art.-no.	€/pc.		€/pc.		€/pc.
015	243,35	290,70	318,80	369,00	on
020	283,75	355,60	350,65	418,45	
025	348,95	435,45	381,95	468,95	request
032	436,45	541,10	462,90	575,80	
040	522,95	735,60	554,05	690,50	
050	706,15	929,20	785,40	970,65	

Flange

Article group	PVC - U		PP		PVDF
	EPDM	FKM	EPDM	FKM	FKM
535 131...	535 134...		535 111...	535 114...	535 154...
DN = Art.-no.	€/pc.		€/pc.		€/pc.
015	250,95	273,50	275,70	325,55	on
020	289,70	327,20	307,15	375,30	
025	353,40	397,65	349,95	436,45	request
032	443,05	488,55	426,50	539,75	
040	509,70	670,35	491,25	627,70	
050	692,45	868,40	705,85	891,90	



Y-strainer type 51

Discount group 35

- PVC design - transparent
- true union
- flange connection acc. to DIN EN 1092-1 – PN 10
- face-to-face length acc. to company standard
- horizontal or vertical mounting
- PVC screen with mesh size 0,7 mm (alternatively 0,25 mm or 0,5 mm available at the same price)
- other connections on request

Cement
Socket

PVC - U

EPDM FKM

Article group

551 231... 551 234...

DN = Art.-no.

€/pc.

€/pc.

015

68,35

80,35

020

80,90

92,10

025

106,35

113,80

040

181,30

212,25

050

225,05

255,90

080

410,20

476,50

100

851,60

928,85



Flange

PVC - U

EPDM FKM

Article group

551 131... 551 134...

DN = Art.-no.

€/pc.

€/pc.

015

106,70

115,65

020

138,40

147,35

025

182,80

194,85

040

258,20

290,40

050

362,50

412,75

080

670,25

780,20

100

1.289,70

1.367,05



Y-strainer type 36

Discount group 105

- true union
- flange connection acc. to DIN EN 1092-1 – PN 10
- face-to-face length acc. to DIN EN 558:2012-03
- horizontal or vertical mounting
- ETFE screen with mesh size 0,5 mm (0,25 mm or 1,0 mm on request)

Socket						Flange					
PVC - U		PP		PVDF	PVC		PP		PVDF		
EPDM	FKM	EPDM	FKM	FKM	EPDM	FKM	EPDM	FKM	FKM		
Article group		536 231...	536 234...	536 311...	536 314...	536 354...	536 131...	536 134...	536 111...	536 114...	536 154...
DN = Art.-no.	€/pc.	€/pc.	€/pc.	€/pc.	€/pc.	€/pc.	€/pc.	€/pc.	€/pc.	€/pc.	
015	247,45	283,40	344,00	359,40		247,45	276,75	316,80	330,20		
020	258,40	312,55	366,30	390,90		258,40	296,65	339,30	361,80		
025	299,05	350,70	397,80	431,30		299,05	325,75	375,10	411,15		
032	355,05	415,50	435,85	485,10	on	355,05	381,85	413,35	460,50	on	
040	429,00	521,05	538,90	597,25		429,00	478,25	496,30	554,55		
050	496,30	612,95	695,75	769,95	request	496,30	563,60	644,35	718,20	request	



Y-strainer type 37

Discount group 105

- fix flange stub end connection acc. to DIN EN 1092-1 – PN 10
- face-to-face length acc. to company standard
- drain plug on maintenance access (with ball valve on request)
- horizontal or vertical mounting
- ETFE¹⁾ screen with mesh size 2,0 mm (0,5; 1,0 or 1,8 mm on request)

Flange				
PP		PVDF		
EPDM	FKM	FKM		
Article group		537 111...	537 114...	537 154...
DN = Art.-no.	€/pc.	€/pc.	€/pc.	
065	2.660,85	2.717,35		
080	2.894,50	2.951,05		
100	3.545,25	3.615,80	on	
125	4.500,00	4.584,00		
150	5.436,90	5.545,65	request	
200	9.196,70	9.329,30		
250	11.794,05	11.958,40		

¹⁾ other mesh size or screens of stainless steel (1.4571 / SUS 316 Ti) on request



Water jet vacuum pump type P 20

Discount group 36

- for mixing, diluting or conveying of liquid media
- true union up to DN 50
- performance diagram for analysis available
- exchangeable injectors for optimal adjustment

True union with socket

PVC - U
EPDM

PP
EPDM

PVDF
FKM

Article group

517 002...

517 002...

517 002...

DN

Art.-no. €/pc.

Art.-no. €/pc.

Art.-no. €/pc.

10

118 110,95

127 174,85

136

15

119 134,45

128 247,15

137

20

120 180,50

129 259,60

138 on

25

121 198,80

130 477,50

139

32

122 242,95

131 763,90

140 request

40

123 404,25

132 1.011,10

141

50

124 551,50

133 1.320,00

142

Spigot

Article group

517 002...

517 002...

517 002...

DN

Art.-no. €/pc.

Art.-no. €/pc.

Art.-no. €/pc.

65

125 854,45

134 1.563,90

143 on

80

126 1.035,55

135 1.792,30

144 request

Note:

In case of order please specify nozzle drilling!

DN Ø [mm]

10	1,5
	2,0
	2,0
15	3,0
	4,0
	3,0
20	4,5
	6,0
	2,5
25	4,0
	5,0
	3,0
32	4,5
	6,0

DN Ø [mm]

40	3,5
	5,5
	7,5
50	5,0
	7,0
	9,0
65	6,5
	9,0
	11,5
80	8,0
	11,0
	14,0



Filler & breather valve type V 91

Discount group 36

- **type V 91:** for filling and breathing of tanks
- vertical installation
- surcharge for **other connections** (see page 88)

Filler & breather valve type V 91 - Spigot

PVC - U
FKM

PP
FKM

PVDF
FKM

Article group

517 000...

517 000...

517 00...

DN	Art.-no.	€/pc.	Art.-no.	€/pc.	Art.-no.	€/pc.
10	506	105,05	613	127,85	0596	
15	510	140,00	614	172,40	0595	
20	513	170,85	615	209,05	0594	on
25	540	215,60	616	259,75	0593	
32	544	272,15	617	330,35	0592	request
40	546	353,35	618	434,25	0591	
50	549	632,10	619	772,95	0584	
65	552	818,75	620	994,95	0581	
80	621	1.218,45	623	1.489,75	3563	



Throttle valve type V 251

Discount group 36

- for throttling of liquid and gaseous media
- good control characteristics
- easy adjustment
- horizontal or vertical mounting

Socket

PVC - U

PP

Article group	EPDM		FKM		EPDM		FKM	
	517 001...	517 001...	517 001...	517 001...	517 001...	517 001...	517 001...	
DN	Art.-no.	€/pc.	Art.-no.	€/pc.	Art.-no.	€/pc.	Art.-no.	€/pc.
10	305	159,80	070	164,45	312	179,45	071	184,10
15	306	178,15	091	182,65	313	202,00	092	206,50
20	307	201,00	082	205,60	314	224,45	079	228,80
25	308	235,20	068	242,00	315	257,95	067	264,75
32	309	280,75	088	289,15	316	325,15	089	333,50
40	310	360,50	107	369,10	317	403,60	105	411,75
50	311	428,95	101	440,40	318	482,05	099	493,35

PVDF

Article group	FKM	
	517 001...	517 001...
DN	Art.-no.	€/pc.
10	072	
15	093	
20	080	
25	066	on
32	090	
40	106	request
50	100	
65	-	-
80	-	-



Pressure reducing valve types V 82 / V 182

Discount group 36

- type V 182 (DN 10 – DN 50)
- type V 82 (DN 65 – DN 100)
- reduces system pressures downstream of the valve and keeps it adjusted to reference value
- with manometer
- easy pressure adjustment continuously via adjusting screw
- horizontal or vertical mounting
- surcharge for **other connections** (see page 88)

Spigot

PVC - U

EPDM

FKM*

PP

EPDM

FKM*

Article group

517 00...

517 00...

517 00...

517 00...

DN	Adjusting range [bar]	Art.-no.	€/pc.	Art.-no.	€/pc.	Art.-no.	€/pc.	Art.-no.	€/pc.
10	0,5 – 9	5510	622,40	5520	644,65	5530	753,45	5540	781,15
15	0,5 – 9	5511	622,40	5521	644,65	5531	753,45	5541	781,15
20	0,5 – 9	5512	792,40	5522	827,50	5532	961,45	5542	1.003,80
25	0,5 – 9	5513	792,40	5523	827,50	5533	961,45	5543	1.003,80
32	0,5 – 9	5514	953,60	5524	996,35	5534	1.157,55	5544	1.209,70
40	0,5 – 9	5515	953,60	5525	996,35	5535	1.157,55	5545	1.209,70
50	0,5 – 9	2505	1.349,60	6286	1.391,70	6287	1.636,90	6288	1.687,85
65	0,5 – 5	2509	1.989,30	2511	2.110,90	2609	2.258,20	2611	2.400,60
80	0,5 – 5	2513	4.897,05	2515	5.010,50	2613	5.569,80	2615	5.697,45
100	1 – 3	2517	6.775,40	2519	6.920,85	2617	7.629,15	2619	7.793,80

PVDF

FKM*

Article group

517 00...

DN	Adjusting range [bar]	Art.-no.	€/pc.
10	0,5 – 10	5570	
15	0,5 – 10	5571	
20	0,5 – 10	5572	on
25	0,5 – 10	5573	
32	0,5 – 10	5574	request
40	0,5 – 10	5575	
50	0,5 – 10	5576	
65	0,5 – 6	3559	

* V 182 sealed with FKM O-ring
V 82 sealed with PTFE-diaphragm



Pressure relief valve types V 85 / V 185

Discount group 36

- type V 185 (DN 10 – DN 50)
- type V 85 (DN 65 – DN 100)
- dissipates peaks and pressure overrides
- installation in main pipe line with additional outflow outlet (bypass)
- easy pressure adjustment continuously via adjusting screw
- horizontal or vertical mounting
- surcharge for **other connections** (see page 88)

Spigot

PVC - U

PP

Article group		517 00...		517 00...		517 00...		517 00...	
DN	Adjustment range [bar]	Art.-no.	€/pc.	Art.-no.	€/pc.	Art.-no.	€/pc.	Art.-no.	€/pc.
10	0,5 – 10	0120	252,85	0179	290,05	0127	300,90	0189	341,45
15	0,5 – 10	0121	294,55	0180	312,60	0128	354,55	0190	364,50
20	0,5 – 10	0122	329,15	0181	356,95	0129	390,70	0191	416,65
25	0,5 – 10	0123	348,15	0182	374,70	0130	413,35	0192	436,45
32	0,5 – 10	0124	436,95	0183	478,50	0131	521,55	0193	557,75
40	0,5 – 10	0125	810,00	0184	839,60	0132	872,80	0194	912,10
50	0,5 – 10	0126	981,85	0185	1.012,95	0133	1.166,35	0195	1.178,20
65	1 – 6	2709	1.391,35	2713	1.458,50	2885	1.596,85	2889	1.681,50
80	1 – 6	2717	2.331,60	2721	2.440,95	2893	2.686,35	2897	2.813,25
100	1 – 4	2725	3.351,25	2729	3.485,40	2901	3.826,20	2905	3.980,10

PVDF PTFE

Article group		517 00...	
DN	Adjustment range [bar]	Art.-no.	€/pc.
10	0,5 – 10	0199	
15	0,5 – 10	0200	
20	0,5 – 10	0201	on
25	0,5 – 10	0202	
32	0,5 – 10	0203	request
40	0,5 – 10	0204	
50	0,5 – 10	0205	
65	0,5 – 6	3562	



Pressure retaining valve types V 86 / V 186

Discount group 36

- type V 186 (DN 10 – DN 50)
- type V 86 (DN 65 – DN 100)
- generates system pressures upstream of the valve and keeps it adjusted to reference value
- easy pressure adjustment continuously via adjusting screw
- horizontal or vertical mounting
- surcharge for other connections (see page 88)

Spigot

Article group	PVC - U				PP				
	EPDM		PTFE		EPDM		PTFE		
DN	Adjustment range [bar]	517 00...		517 00...		517 00...		517 00...	
DN	Adjustment range [bar]	Art.-no.	€/pc.	Art.-no.	€/pc.	Art.-no.	€/pc.	Art.-no.	€/pc.
10	0,5 – 10	0134	233,70	0149	249,90	0141	256,40	0159	289,55
15	0,5 – 10	0135	236,50	0150	261,00	0142	274,80	0160	298,15
20	0,5 – 10	0136	314,85	0151	342,05	0143	367,45	0161	393,25
25	0,5 – 10	0137	336,10	0152	372,10	0144	394,60	0162	426,45
32	0,5 – 10	0138	429,45	0153	461,25	0145	502,90	0163	528,95
40	0,5 – 10	0139	862,65	0154	880,45	0146	881,50	0164	921,15
50	0,5 – 10	0140	868,80	0155	886,95	0147	1.014,95	0165	1.038,40
65	1 – 6	3093	1.306,00	3097	1.374,90	3269	1.504,80	3273	1.584,90
80	1 – 6	3101	2.073,35	3105	2.177,65	3277	2.390,20	3281	2.511,35
100	1 – 4	3109	3.192,25	3113	3.331,55	3285	3.646,10	3289	3.803,50

PVDF
PTFE

Article group	517 00...		
DN	Adjustment range [bar]	Art.-no.	€/pc.
10	0,5 – 10	0169	
15	0,5 – 10	0170	
20	0,5 – 10	0171	
25	0,5 – 10	0172	on
32	0,5 – 10	0173	
40	0,5 – 10	0174	request
50	0,5 – 10	0175	
65	0,5 – 6	1695	



Flow-through fitting type 12

Discount group 105

- installation length 290 mm
- 1 sampling valve with hose connection
- 3 threaded connections PG 13,5 (2 at version with potential equalisation)
- with integrated fixation to wall (2 x M8 threaded bushing)
- true union with PP spigot, SDR 11 (others on request)
- nominal pressure PN 10 (20 °C)

Version	PP / EPDM	Art.-no.	€/pc.
with 1 ball valve		512 032 020	719,85
with 1 ball valve and potential equalisation		512 132 020	*
with 2x ball valve		512 033 020	799,10
with 2x ball valve and potential equalisation		512 133 020	*

* on request



Inspection glass type 28

Discount group 105

- fixed flange; connection acc. to DIN EN 1092-1 – PN 10
- face-to-face length acc. to DIN EN 558:2012-03
- double sealed for improved safety
- inspection glass of borosilicate-glass

Flange

Article group	PVC - U		PP		PVDF
	EPDM	FKM	EPDM	FKM	FKM
528 131...	528 134...	528 111...	528 114...	528 154...	
DN = Art.-no.	€/pc.	€/pc.	€/pc.	€/pc.	€/pc.
020	649,50	721,25	613,50	685,50	on request
025	696,25	772,10	656,70	732,50	
032	772,10	847,95	754,00	829,80	
040	811,70	905,60	772,10	869,50	
050	869,50	984,95	829,80	945,20	
065	1.118,40	1.233,80	1.060,65	1.176,05	
080	1.313,05	1.446,65	1.273,50	1.410,55	
100	1.738,75	1.947,90	1.446,65	1.659,45	
150	3.668,35	3.899,15	2.546,65	2.777,45	



Gauge guard type Z 800 / Z 801 / Z 816

Discount group 36

- for pressure measurement of liquid and gaseous media
- horizontal or vertical mounting
- pressure sensor on request
- available in HP version, too. See chapter PURAD
- other measuring ranges (standard 0-10 bar) and gauge sizes on request available. Please contact us.
- type Z 816 (PVDF – PN 16)

Z 800 (with manometer) - threaded socket

PVC - U
PTFE

Article group

517 080...

DN

Manometer connection

Art.-no. €/pc.

20

R 1/4"

101 141,65

25

R 1/2"

152 146,70

Z 800 (with manometer)
IR-spigot

PP
PTFE

517 080...

Art.-no. €/pc.

209

179,60

260

184,55

Z 816 (with manometer)
IR-spigot

PVDF
PTFE

517 186...

Art.-no. €/pc.

100

on

200

request

Z 800 (with manometer) - cement spigot

PVC - U
PTFE

Article group

517 080...

DN

Manometer connection

Art.-no. €/pc.

20

R 1/4"

109 180,80

25

R 1/2"

160 146,70

Z 801 (without manometer) - threaded socket

PVC - U
PTFE

Article group

517 081...

DN

Manometer connection

Art.-no. €/pc.

20

R 1/4"

101 103,80

25

R 1/2"

151 103,80

Z 801 (without manometer)
IR-spigot

PP
PTFE

517 081...

Art.-no. €/pc.

205

141,65

255

141,65

Z 816 (without manometer)
IR-spigot

PVDF
PTFE

517 816...

Art.-no. €/pc.

110

on

120

request

Z 801 (without manometer) - cement spigot

PVC - U
PTFE

Article group

517 081...

DN

Manometer connection

Art.-no. €/pc.

20

R 1/4"

105 103,80

25

R 1/2"

106 103,80



Gauge guard type Z 800 / Z 801 / Z 816

Discount group 36

- for pressure measurement of liquid and gaseous media
- including pressure gauge (range 0-10 bar standard, others available)
- horizontal or vertical mounting
- union joint of upper and lower part, i.e. no retightening after installation or leakages caused by temperature cycles
- spigots for IR welding standard (PP and PVDF)
- due to the new design no constriction, i.e. no agglomerations in front of the gauge
- big surface for an accurate pressure transmitting
- available with pressure sensor according to your requirements

please contact us





Flow meter type M 335

Discount group 37

- for flow measurement acc. to float principle in closed pipe lines
- vertical installation
- true union
- mounting facility for accessories (limit switch etc.) see page 72
- special scales for any media available see pages 73 and 74
- scales exchangeable
- damped float stopper

PVC-true union with
PVC-cement socket

- with solenoid float (see page 67)

Metering tube PVC

Float
PVDF

517 100...

Metering tube PA

Float
PVDF

517 100...

Metering tube PSU

Float
PVDF

517 100...

Article group

DN	Measuring range [l/h]	Art.-no.	€/pc.	Art.-no.	€/pc.	Art.-no.	€/pc.
25	50 – 500	200	169,40	214	185,85	228	226,15
25	100 – 1000	201	172,40	215	189,35	229	231,00
32	150 – 1500	202	197,25	216	214,05	230	260,10
32	250 – 2500	203	212,80	217	230,50	231	280,25
40	200 – 2000	204	220,05	218	239,35	232	288,60
40	300 – 3000	205	294,65	219	322,30	233	379,20
40	600 – 6000	206	316,40	220	347,60	234	422,75
50*	600 – 6000	207	367,10	221	404,45	235	488,70
50*	1000 – 10000	208	395,15	222	434,00	236	540,10
50*	1500 – 15000	210	433,35	224	477,10	238	578,85
65*	2000 – 20000	211	729,65	225	801,30	239	975,20
65*	3000 – 30000	212	729,65	226	801,30	240	975,20
65*	8000 – 60000	213	737,85	227	806,30	241	985,25

PVC-true union with
PE-spigot

- with solenoid float on request

Metering tube PVC

Float
PVDF

517 800...

Metering tube PA

Float
PVDF

517 800...

Metering tube PSU

Float
PVDF

517 800...

Article group

DN	Measuring range [l/h]	Art.-no.	€/pc.	Art.-no.	€/pc.	Art.-no.	€/pc.
25	50 – 500	200	202,90	214	219,15	228	259,85
25	100 – 1000	201	206,10	215	222,65	229	264,95
32	150 – 1500	202	233,05	216	249,70	230	296,20
32	250 – 2500	203	248,55	217	266,05	231	316,25
40	200 – 2000	204	258,45	218	277,10	232	327,10
40	300 – 3000	205	332,80	219	360,25	233	417,50
40	600 – 6000	206	354,55	220	385,55	234	461,25
50*	600 – 6000	207	408,90	221	446,05	235	530,60
50*	1000 – 10000	208	437,00	222	475,45	236	582,20
50*	1500 – 15000	210	475,10	224	518,40	238	620,95
65*	2000 – 20000	211	774,45	225	845,75	239	1.020,30
65*	3000 – 30000	212	774,45	226	845,75	240	1.020,30
65*	8000 – 60000	213	782,65	227	850,85	241	1.030,15

* with guide rod for better stabilisation of float



Flow meter type M 335

Discount group 37

- for flow measurement acc. to float principle in closed pipe lines
- vertical installation
- true union
- mounting facility for accessories (limit switch etc.) see page 72
- special scales for any media available see pages 73 and 74
- scales exchangeable
- damped float stopper

PP-true union with
PP-spigot

- with solenoid float on request

Metering tube PVC

Float
PVDF

Metering tube PA

Float
PVDF

Metering tube PSU

Float
PVDF

Article group

517 900...

517 900...

517 900...

DN	Measuring range [l/h]	Art.-no.	€/pc.	Art.-no.	€/pc.	Art.-no.	€/pc.
25	50 – 500	200	214,95	214	231,15	228	271,95
25	100 – 1000	201	218,00	215	234,80	229	276,90
32	150 – 1500	202	271,35	216	287,65	230	334,50
32	250 – 2500	203	286,85	217	304,00	231	354,80
40	200 – 2000	204	319,45	218	337,95	232	388,50
40	300 – 3000	205	393,95	219	420,90	233	479,00
40	600 – 6000	206	415,75	220	446,35	234	522,75
50*	600 – 6000	207	490,35	221	526,60	235	612,35
50*	1000 – 10000	208	518,10	222	556,05	236	663,85
50*	1500 – 15000	210	556,60	224	599,30	238	702,55
65*	2000 – 20000	211	973,30	225	1.042,95	239	1.220,05
65*	3000 – 30000	212	973,30	226	1.042,95	240	1.220,05
65*	8000 – 60000	213	981,55	227	1.048,05	241	1.230,10

PVC-true union with
PVC-cement socket¹⁾

Metering tube PVC

Solenoid float
PVDF

Metering tube PA

Solenoid float
PVDF

Metering tube PSU

Solenoid float
PVDF

Article group

517 100...

517 100...

517 100...

DN	Measuring range [l/h]	Art.-no.	€/pc.	Art.-no.	€/pc.	Art.-no.	€/pc.
25	50 – 500	242	258,50	256	275,30	270	314,90
25	100 – 1000	243	263,70	257	288,75	271	329,15
32	150 – 1500	244	292,45	258	306,50	272	352,00
32	250 – 2500	245	305,85	259	323,10	273	375,05
40	200 – 2000	246	323,65	260	349,75	274	399,35
40	300 – 3000	247	400,35	261	431,70	275	497,40
40	600 – 6000	248	420,85	262	454,55	276	529,10
50*	600 – 6000	249	483,15	263	519,75	277	604,35
50*	1000 – 10000	250	512,25	264	554,65	278	652,10
50*	1500 – 15000	252	549,35	266	592,25	280	695,40
65*	2000 – 20000	253	845,55	267	913,25	281	1.086,85
65*	3000 – 30000	254	845,55	268	913,25	282	1.086,85
65*	8000 – 60000	255	855,90	269	922,95	283	1.101,20

* with guide rod for better stabilisation of float

¹⁾ other materials and designs on request



Flow meter type M 350

Discount group 37

- for flow measurement acc. to float principle in closed pipe lines
- vertical installation
- true union
- mounting facility for accessories (limit switch etc.) see page 72
- special scales for any media available see pages 73 and 74
- scales exchangeable
- damped float stopper

PVC-true union with
PVC-cement socket

- with solenoid float (see page 69)

Metering tube PVC

Float
PVDF

517 100...

Metering tube PA

Float
PVDF

517 100...

Metering tube PSU

Float
PVDF

517 100...

Article group

DN	Measuring range [l/h]	Art.-no.	€/pc.	Art.-no.	€/pc.	Art.-no.	€/pc.
25	50 – 500	284	169,40	298	187,35	312	235,75
25	100 – 1000	285	172,40	299	190,90	313	240,80
32	150 – 1500	286	197,25	300	215,85	314	271,10
32	250 – 2500	287	212,80	301	232,35	315	292,15
40	200 – 2000	288	220,05	302	241,30	316	300,80
40	300 – 3000	289	294,65	303	324,95	317	395,30
40	600 – 6000	290	316,40	304	350,45	318	440,65
50*	600 – 6000	291	367,10	305	407,75	319	509,45
50*	1000 – 10000	292	395,15	306	437,55	320	563,00
50*	1500 – 15000	294	433,35	308	481,00	322	603,40
65*	2000 – 20000	295	729,65	309	807,90	323	1.016,50
65*	3000 – 30000	296	729,65	310	807,90	324	1.016,50
65*	8000 – 60000	297	737,85	311	812,95	325	1.027,00

PVC-true union with
PE-spigot

- with solenoid float on request

Metering tube PVC

Float
PVDF

517 800...

Metering tube PA

Float
PVDF

517 800...

Metering tube PSU

Float
PVDF

517 800...

Article group

DN	Measuring range [l/h]	Art.-no.	€/pc.	Art.-no.	€/pc.	Art.-no.	€/pc.
25	50 – 500	284	202,90	298	219,15	312	259,85
25	100 – 1000	285	206,10	299	222,65	313	264,95
32	150 – 1500	286	233,05	300	249,70	314	296,20
32	250 – 2500	287	248,55	301	266,05	315	316,25
40	200 – 2000	288	258,45	302	277,10	316	327,10
40	300 – 3000	289	332,80	303	360,25	317	417,50
40	600 – 6000	290	354,55	304	385,55	318	461,25
50*	600 – 6000	291	408,90	305	446,05	319	530,60
50*	1000 – 10000	292	437,00	306	475,45	320	582,20
50*	1500 – 15000	294	475,10	308	518,40	322	620,95
65*	2000 – 20000	295	774,45	309	845,75	323	1.020,30
65*	3000 – 30000	296	774,45	310	845,75	324	1.020,30
65*	8000 – 60000	297	782,65	311	850,85	325	1.030,15

* with guide rod for better stabilisation of float



Flow meter type M 350

Discount group 37

- for flow measurement acc. to float principle in closed pipe lines
- vertical installation
- true union
- mounting facility for accessories (limit switch etc.) see page 72
- special scales for any media available see pages 73 and 74
- scales exchangeable
- damped float stopper

PP-true union with
PP-spigot

- with solenoid float on request

Metering tube PVC

Float
PVDF

Metering tube PA

Float
PVDF

Metering tube PSU

Float
PVDF

Article group

517 900...

517 900...

517 900...

DN	Measuring range [l/h]	Art.-no.	€/pc.	Art.-no.	€/pc.	Art.-no.	€/pc.
25	50 – 500	284	214,95	298	231,15	312	271,95
25	100 – 1000	285	218,00	299	234,80	313	276,90
32	150 – 1500	286	271,35	300	287,65	314	334,50
32	250 – 2500	287	286,85	301	304,00	315	354,80
40	200 – 2000	288	319,45	302	337,95	316	388,50
40	300 – 3000	289	393,95	303	420,90	317	479,00
40	600 – 6000	290	415,75	304	446,35	318	522,75
50*	600 – 6000	291	490,35	305	526,60	319	612,35
50*	1000 – 10000	292	518,10	306	556,05	320	663,85
50*	1500 – 15000	294	556,60	308	599,30	322	702,55
65*	2000 – 20000	295	973,30	309	1.042,95	323	1.220,05
65*	3000 – 30000	296	973,30	310	1.042,95	324	1.220,05
65*	8000 – 60000	297	981,55	311	1.048,05	325	1.230,10

PVC-true union with
PVC-cement socket¹⁾

Metering tube PVC

Solenoid float
PVDF

Metering tube PA

Solenoid float
PVDF

Metering tube PSU

Solenoid float
PVDF

Article group

517 100...

517 100...

517 100...

DN	Measuring range [l/h]	Art.-no.	€/pc.	Art.-no.	€/pc.	Art.-no.	€/pc.
25	50 – 500	326	258,50	340	275,30	354	314,90
25	100 – 1000	327	263,70	341	288,75	355	329,15
32	150 – 1500	328	292,45	342	306,50	356	352,00
32	250 – 2500	329	305,85	343	323,10	357	375,05
40	200 – 2000	330	323,65	344	349,75	358	399,35
40	300 – 3000	331	400,35	345	431,70	359	497,40
40	600 – 6000	332	420,85	346	454,55	360	529,10
50*	600 – 6000	333	483,15	347	519,75	361	604,35
50*	1000 – 10000	334	512,25	348	554,65	362	652,10
50*	1500 – 15000	336	549,35	350	592,25	364	695,40
65*	2000 – 20000	337	845,55	351	913,25	365	1.086,85
65*	3000 – 30000	338	845,55	352	913,25	366	1.086,85
65*	8000 – 60000	339	855,90	353	922,95	367	1.101,20

* with guide rod for better stabilisation of float

¹⁾ other materials and designs on request



Flow meter type M 123

Discount group 37

- for flow measurement acc. to float principle in closed pipe lines
- vertical installation
- true union
- mounting facility for accessories (limit switch etc.) see page 72
- special scales for any media available see page 75
- scales exchangeable
- other connections on request

True union with
Cement socket^{*)}

Metering tube PVC
Float
PVDF

Metering tube PSU
Float
PVDF

Article group		517 003...		517 000...	
DN	Measuring range [l/h]	Art.-no.	€/pc.	Art.-no.	€/pc.
10	1,5 – 15	700	104,20	862	112,60
10	2,5 – 25	701	104,20	864	112,60
10	5 – 50	702	104,20	866	112,60
10	10 – 100	703	104,20	868	112,60
15	8 – 80	704	106,80	895	117,15
15	15 – 150	705	106,80	897	117,15
15	20 – 200	706	106,80	899	117,15
25	15 – 150	707	125,65	901	137,80
25	30 – 300	708	125,65	903	137,80
25	50 – 500	709	125,65	905	137,80
25	100 – 1000	710	125,65	907	137,80

True union with
Cement socket^{*)}

Metering tube PVC
Solenoid float
PVDF

Metering tube PSU
Solenoid float
PVDF

Article group		517 003...		517 001...	
DN	Measuring range [l/h]	Art.-no.	€/pc.	Art.-no.	€/pc.
10	1,5 – 15	711	142,95	459	150,70
10	2,5 – 25	712	142,95	461	150,70
10	5 – 50	713	142,95	463	150,70
10	10 – 100	714	142,95	465	150,70
15	8 – 80	715	151,55	467	161,00
15	15 – 150	716	151,55	469	161,00
15	20 – 200	717	151,55	471	161,00
25	15 – 150	718	173,95	473	185,25
25	30 – 300	719	173,95	475	185,25
25	50 – 500	720	173,95	477	185,25
25	100 – 1000	721	173,95	479	185,25



Flow meter type M 123

Discount group 37

- for flow measurement acc. to float principle in closed pipe lines
- vertical installation
- true union
- mounting facility for accessories (limit switch etc.) see page 72
- special scales for any media available see page 75
- scales exchangeable
- other connections on request

PP-true union with
PP-spigot

Metering tube PVC

Metering tube PSU

Float
PVDF

Float
PVDF

Article group

517 903...

517 900...

DN	Measuring range [l/h]	Art.-no.	€/pc.	Art.-no.	€/pc.
15	8 – 80	704	144,20	895	157,85
15	15 – 150	705	144,20	897	157,85
15	20 – 200	706	144,20	899	157,85
25	15 – 150	707	171,55	901	187,80
25	30 – 300	708	171,55	903	187,80
25	50 – 500	709	171,55	905	187,80
25	100 – 1000	710	171,55	907	187,80

PP-true union with
PP-spigot

Metering tube PVC

Metering tube PSU

Solenoid float
PVDF

Solenoid float
PVDF

Article group

517 903...

517 901...

DN	Measuring range [l/h]	Art.-no.	€/pc.	Art.-no.	€/pc.
15	8 – 80	715	191,80	467	205,60
15	15 – 150	716	191,80	469	205,60
15	20 – 200	717	191,80	471	205,60
25	15 – 150	718	222,95	473	239,35
25	30 – 300	719	222,95	475	239,35
25	50 – 500	720	222,95	477	239,35
25	100 – 1000	721	222,95	479	239,35

Accessories for flow meter types M 23 / M 123 / M 335 / M 350



Limit value contact types Z 40 / Z 42

Discount group 37

- adjustable limit switch
- Z 40 min. / Z 42 max.
- switching function bistable (switch status remains until next passing of the float)
- **solenoid float** necessary
- retrofittable at any time also during operation

Article group

517 100...

Article		Art.-no.	€/pc.
Limit value contact, min.	Z 40	686	121,50
Limit value contact, max.	Z 42	687	121,50

Accessories for flow meter types M 335 / M 350



Flow transmitter type Z 60

Discount group 37

- Measuring sensor with 4-20mA output signal (scale in 1% steps)
- supply voltage 12 - 24 V
- direct activation of SPS or PC
- **solenoid float** necessary
- retrofittable at any time also during operation

Article group

517 100...

DN	Measuring range [l/h]	Art.-no.	€/pc.
25	50 – 500	926	675,45
25	100 – 1000	927	675,45
32	150 – 1500	928	675,45
32	250 – 2500	929	675,45
40	200 – 2000	930	675,45
40	300 – 3000	931	675,45
40	600 – 6000	932	675,45
50	600 – 6000	933	675,45
50	1000 – 10000	934	675,45
50	1500 – 15000	935	675,45
65	2000 – 20000	936	675,45
65	3000 – 30000	937	675,45
65	8000 – 60000	938	675,45

Special scales for flow meter types M 335 / M 350 for air, NaOH and HCl

Discount group 37

		Air							
		0 bar		1 bar		2 bar		3 bar	
Article group		500 005...		500 005...		500 005...		500 005...	
DN	Measuring range [l/h]*	Art.-no.	Nm ³ /h	Art.-no.	Nm ³ /h	Art.-no.	Nm ³ /h	Art.-no.	Nm ³ /h
25	50 – 500	526	2 – 15	602	3 – 20	615	3 – 24	628	3 – 28
25	100 – 1000	527	3,5 – 30	603	4 – 41	616	5 – 50	629	5 – 58
32	150 – 1500	528	5 – 45	604	6 – 63	617	7 – 77	630	8 – 90
32	250 – 2500	529	8 – 76	605	10 – 111	618	12 – 136	631	14 – 158
40	200 – 2000	530	7 – 60	606	9 – 82	619	11 – 100	632	12 – 116
40	300 – 3000	531	10 – 87	607	13 – 152	620	16 – 186	633	18 – 216
40	600 – 6000	532	20 – 170	608	24 – 246	621	30 – 301	634	34 – 348
50	600 – 6000	533	25 – 180	609	24 – 247	622	30 – 302	635	34 – 350
50	1000 – 10000	534	30 – 280	610	41 – 425	623	51 – 520	636	58 – 602
50	1500 – 15000	535	50 – 440	611	75 – 572	624	92 – 700	637	106 – 810
65	2000 – 20000	536	70 – 580	612	78 – 770	625	96 – 942	638	110 – 1090
65	3000 – 30000	537	100 – 900	613	113 – 1072	626	139 – 1311	639	160 – 1516
65	8000 – 60000	538	230 – 1650	614	200 – 1150	627	250 – 1450	640	300 – 1650

* water

		Air							
		4 bar		5 bar		6 bar		7 bar	
Article group		500 005...		500 005...		500 005...		500 005...	
DN	Measuring range [l/h]*	Art.-no.	Nm ³ /h	Art.-no.	Nm ³ /h	Art.-no.	Nm ³ /h	Art.-no.	Nm ³ /h
25	50 – 500	641	4 – 31	654	4 – 34	667	5 – 37	680	5 – 39
25	100 – 1000	642	6 – 65	655	7 – 71	668	7 – 76	681	8 – 82
32	150 – 1500	643	9 – 100	656	10 – 110	669	11 – 119	682	12 – 127
32	250 – 2500	644	16 – 177	657	18 – 193	670	19 – 209	683	20 – 223
40	200 – 2000	645	14 – 130	658	15 – 142	671	16 – 153	684	17 – 164
40	300 – 3000	646	21 – 241	659	23 – 264	672	24 – 286	685	26 – 305
40	600 – 6000	647	39 – 389	660	42 – 426	673	45 – 461	686	49 – 492
50	600 – 6000	648	39 – 392	661	42 – 428	674	45 – 463	687	49 – 495
50	1000 – 10000	649	65 – 674	662	72 – 737	675	77 – 797	688	83 – 851
50	1500 – 15000	650	119 – 907	663	130 – 992	676	141 – 1073	689	150 – 1146
65	2000 – 20000	651	124 – 1220	664	135 – 1335	677	146 – 1444	690	156 – 1542
65	3000 – 30000	652	180 – 1697	665	197 – 1857	678	212 – 2008	691	227 – 2145
65	8000 – 60000	653	300 – 1850	666	350 – 2000	679	350 – 2200	692	400 – 2300

* water

€/pc.
30,35

Special scales for flow meter types M 335 / M 350 for air, NaOH and HCl

Discount group 37

Article group		Air 8 bar	NaOH 30 %	50 %	HCl 30 – 33 %				
Article group		500 005...	500 005...	500 005...	500 005...				
DN	Measuring range [l/h]*	Art.-no.	Nm ³ /h	Art.-no.	l/h	Art.-no.	l/h	Art.-no.	l/h
25	50 – 500	693	4,5 – 42	552	30 – 320	565	10 – 62	539	40 – 430
25	100 – 1000	694	7,5 – 87	553	70 – 660	566	10 – 195	540	80 – 860
32	150 – 1500	695	12 – 135	554	100 – 900	567	20 – 350	541	150 – 1250
32	250 – 2500	696	21 – 237	555	100 – 1600	568	5 – 760	542	200 – 2150
40	200 – 2000	697	18 – 174	556	200 – 1400	569	5 – 540	543	200 – 1850
40	300 – 3000	698	27 – 324	557	300 – 1950	570	105 – 1200	544	300 – 2500
40	600 – 6000	699	51 – 522	558	500 – 3800	571	400 – 2350	545	600 – 4900
50	600 – 6000	700	51 – 525	559	500 – 4300	572	100 – 2200	546	600 – 5400
50	1000 – 10000	701	87 – 903	560	600 – 6600	573	100 – 4000	547	800 – 8400
50	1500 – 15000	702	159 – 1215	561	750 – 9500	574	300 – 5000	548	1000 – 12750
65	2000 – 20000	703	165 – 1635	562	1300 – 13000	575	200 – 7000	549	2000 – 17500
65	3000 – 30000	704	240 – 2274	563	2600 – 20000	576	400 – 9800	550	3000 – 26500
65	8000 – 60000	705	400 – 2500	564	6000 – 40000	577	2000 – 15000	551	6000 – 50000

* water

€/pc.
30,35

- production of special scales = 107,70 net €/pc., article number 510 000 999
- required details:

medium
 specific gravity [g/cm³]
 dynamic viscosity [cP or mPas]
 working temperature [°C]
 working pressure [bar]
 required measuring range [l/h]

Special scales for flow meter type M 123 for air

Discount group 37

Article group		Air							
		0 bar		1 bar		2 bar		3 bar	
		500 00...		500 00...		500 00...		500 00...	
DN	Measuring range [l/h]*	Art.-no.	Nm³/h	Art.-no.	Nm³/h	Art.-no.	Nm³/h	Art.-no.	Nm³/h
10	1,5 – 15	0998	0,1 – 0,55	1050	0,15 – 0,8	1051	0,17 – 0,9	1052	0,2 – 1,1
10	2,5 – 25	1059	0,2 – 0,95	1060	0,25 – 1,3	1061	0,3 – 1,6	1062	0,4 – 1,9
10	5 – 50	1070	0,5 – 1,9	1071	0,7 – 2,7	1072	0,8 – 3,4	1073	1 – 3,8
10	10 – 100	1081	0,8 – 3	1082	1 – 4,2	1083	1,2 – 5,4	1084	1,4 – 6,4
15	8 – 80	1092	0,6 – 2,8	1093	0,7 – 4	1094	1 – 5	1095	1,2 – 5,6
15	15 – 150	1103	1,4 – 5,6	1104	2 – 8	1105	2 – 10	1106	3 – 12
15	20 – 200	1114	1,5 – 7	1115	2 – 10	1116	3 – 13	1117	3 – 15
25	15 – 150	1125	1 – 6,5	1126	1 – 9	1127	1,5 – 11	1128	2 – 13
25	30 – 300	1136	1,5 – 11	1137	2 – 15	1138	2,5 – 18	1139	3 – 22
25	50 – 500	1147	3 – 18	1148	4 – 25	1149	5 – 30	1150	5 – 35
25	100 – 1000	1158	6 – 30	1159	8 – 44	1160	10 – 54	1161	12 – 62

* water

Article group		Air							
		4 bar		5 bar		6 bar		7 bar	
		500 00...		500 00...		500 00...		500 00...	
DN	Measuring range [l/h]*	Art.-no.	Nm³/h	Art.-no.	Nm³/h	Art.-no.	Nm³/h	Art.-no.	Nm³/h
10	1,5 – 15	1053	0,25 – 1,2	1054	0,25 – 1,3	0999	0,26 – 1,450	1055	0,3 – 1,5
10	2,5 – 25	1063	0,4 – 2,1	1064	0,5 – 2,4	1065	0,5 – 2,5	1066	0,5 – 2,7
10	5 – 50	1074	1,2 – 4,2	1075	1,2 – 4,6	1076	1,2 – 5	1077	1,4 – 5,4
10	10 – 100	1085	1,6 – 7	1086	1,6 – 7,4	1087	2 – 8	1088	2 – 8,8
15	8 – 80	1096	1,4 – 6,4	1097	1,4 – 7	1098	1,5 – 7,5	1099	1,5 – 8
15	15 – 150	1107	3 – 13	1108	3 – 14	1109	3,5 – 15	1110	3,5 – 16,5
15	20 – 200	1118	4 – 17	1119	4 – 18	1120	4 – 20	1121	5 – 21
25	15 – 150	1129	2 – 14,5	1130	2 – 16	1131	2 – 17	1132	2,5 – 18
25	30 – 300	1140	3 – 24	1141	4 – 26	1142	4 – 28	1143	4 – 30
25	50 – 500	1151	6 – 40	1152	6 – 44	1153	8 – 48	1154	8 – 50
25	100 – 1000	1162	12 – 70	1163	15 – 75	1164	15 – 80	1165	15 – 85

* water

Article group		Air					
		8 bar		9 bar		10 bar	
		500 00...		500 00...		500 00...	
DN	Measuring range [l/h]*	Art.-no.	Nm³/h	Art.-no.	Nm³/h	Art.-no.	Nm³/h
10	1,5 – 15	1056	0,3 – 1,6	1057	0,3 – 1,7	1058	0,35 – 1,8
10	2,5 – 25	1067	0,6 – 2,9	1068	0,6 – 3	1169	0,6 – 3,2
10	5 – 50	1078	1,4 – 5,8	1079	1,6 – 6	1080	1,6 – 6,4
10	10 – 100	1089	2 – 9	1090	2 – 10	1091	2 – 10
15	8 – 80	1100	1,5 – 8,5	1101	2 – 9	1102	2 – 9,5
15	15 – 150	1111	4 – 17	1112	4 – 18	1113	4 – 19
15	20 – 200	1122	5 – 23	1123	5 – 23	1124	5 – 25
25	15 – 150	1133	2,5 – 19,5	1134	3 – 20	1135	3 – 21
25	30 – 300	1144	4 – 33	1145	5 – 34	1146	5 – 35
25	50 – 500	1155	8 – 54	1156	8 – 56	1157	10 – 60
25	100 – 1000	1166	20 – 90	1167	20 – 95	1168	20 – 100

* water

€/pc.

30,35



Flow sensor type DF 100

Discount group 39

- sensor for flow rate measurement of liquid media
- supply voltage 5 – 24 V DC
- flow velocity 0,15 – 10,0 m/s
- electric connection: connector plug DIN EN 175301-803:2007-03
- paddle wheel ECTFE with axis and bearing made of ceramic
- can be combined with all DF display and analysis units

	PVC - U EPDM	PP EPDM	PVDF FKM	Stainless steel FKM				
Article group	591 100...	591 100...	591 100...	591 100...				
Type	Art.-no.	€/pc.	Art.-no.	€/pc.	Art.-no.	€/pc.	Art.-no.	€/pc.
DF 100	010	736,00	020	802,20	030	919,40	040	1.059,20



Flow transmitter type DF 100 TMF

Discount group 39

- sensor for flow rate measurement of liquid media
- supply voltage 18 – 30 V DC
- flow velocity 0,15 – 10,0 m/s
- electric connection: connector plug DIN EN 175301-803:2007-03
- paddle wheel ECTFE with axis and bearing made of ceramic
- output signal 4 – 20 mA and frequency approx. 45 Hz/m/s

	PVC - U EPDM	PP EPDM	PVDF FKM	Stainless steel FKM				
Article group	591 100...	591 100...	591 100...	591 100...				
Type	Art.-no.	€/pc.	Art.-no.	€/pc.	Art.-no.	€/pc.	Art.-no.	€/pc.
DF 100 TMF	150	993,25	160	1.053,75	170	1.172,75	180	1.308,80

	ECTFE Kalrez® 4079	
Article group	591 100...	
Type	Art.-no.	€/pc.
DF 100 TMF	190	1.339,45



Flow rate indicator / totalizer type DF 820

Discount group 39

- battery powered measuring system for optional displaying of the flow rate and total capacity
- exchangeable lithium battery with lifetime of min. 4 years at continuous operation
- flow velocity 0,15 – 10,0 m/s
- ECTFE paddle wheel with axis and bearing made of ceramic

	PVC - U EPDM	PP EPDM	PVDF FKM	Stainless steel FKM				
Article group	591 820...	591 820...	591 820...	591 820...				
Type	Art.-no.	€/pc.	Art.-no.	€/pc.	Art.-no.	€/pc.		
DF 820	010	1.503,85	020	1.571,75	030	1.689,15	040	1.828,90



Installation fitting for DF-sensors

Discount group 39

- installation fitting for PVC, PP and PVDF-pipelines
- ECTFE on request
- can be combined with DF flow sensors
- radially removable
- other connections on request

	PVC - U EPDM	PP EPDM	PVDF FKM
Article group	591 153...	591 151...	591 155...
DN = Art.-no.	€/pc.	€/pc.	€/pc.
015	255,65	299,20	492,10
020	255,65	299,20	492,10
025	323,80	387,95	620,75
032	323,80	387,95	620,75
040	387,95	465,70	617,10
050	387,95	465,70	839,95

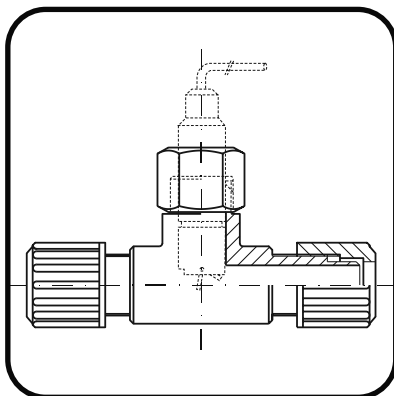


Mini-flow sensor type DF 110

Discount group 39

- sensor for flow rate measurement of liquid media
- supply voltage 5 – 24 V DC
- flow velocity 0,15 – 10,0 m/s
- electric connection: 3-wire cable, length 1,5 m
- ECTFE sensor and paddle wheel with axis and bearing made of sapphire
- can be combined with all DF display and analysis units

Article group		ECTFE EPDM	ECTFE FKM	ECTFE Kalrez®			
		591 110...	591 110...	591 110...			
Type	Paddle wheel	Art.-no.	€/pc.	Art.-no.	€/pc.	Art.-no.	€/pc.
DF 110	ECTFE	001	634,85	002	637,00	003	729,80
	PP-N	004	605,45	005	607,65	006	702,35
	PVDF	007	612,65	008	614,85	009	707,60



Mini installation fitting for sensor DF 110

Discount group 39

- installation fitting with hose coupling (Flare tec)

Article group		Hose coupling		
		591 351...	591 356...	591 355...
DN	d = Art.-no.	€/pc.	€/pc.	€/pc.
d 1/4" / DN 1/8"	014	89,00	120,15	103,20
d 3/8" / DN 1/4"	038	97,60	123,40	105,55
d 1/2" / DN 3/8"	012	115,65	151,90	126,95
d 3/4" / DN 5/8"	034	135,05	182,25	162,70



Flow sensor type DF 170 and flow transmitter type DF 170 TMF

Discount group 39

- sensor for flow rate measurement of liquid media
- integrated in PP-connection clamp
- supply voltage 5 – 24 V DC (type DF 170 TMF 18 – 30 V DC)
- flow velocity 0,15 – 10,0 m/s
- electric connection: connector plug DIN EN 175301-803:2007-03
- paddle wheel ECTFE with axis and bearing made of ceramic
- type DF 170 TMF with output signal 4 - 20 mA and frequency approx. 45 Hz/m/s

Type	PVC - U	Type	PVC - U
DF 170	EPDM	DF 170 TMF	EPDM

Article group

591 170...

591 175...

Connection [mm]	Art.-no.
d 50	050
d 63	063
d 75	075
d 90	090
d 110	110
d 125	125
d 140	140
d 160	160
d 180	180
d 200	200
d 225	225
d 250	250
d 280	280
d 315	315

€/pc.
785,20
792,75
802,20
809,90
817,40
853,25
889,00
949,70
1.015,75
1.006,35
1.021,60
1.034,85
1.095,30
1.072,50

€/pc.
1.010,15
925,75
1.020,95
1.022,95
1.024,80
1.030,60
1.042,15
1.056,20
1.220,35
1.203,30
1.240,40
1.291,20
1.329,70
1.356,95



Multifunctional display types DF 405 / DF 406

Discount group 39

- multifunctional display and analyze units for flow rate measurement
- design as build-in unit or build-up unit
- supply voltage 230 V / 50 Hz or 24 V DC
- 8-digit LED-display
- visual display units as m³/h, l/h, l/min and m/s adjustable
- switchable display of flow rate and cumulated flow
- can be combined with all DF flow sensors and transmitters
- DF 406: analog output signal selectable, e.g. 4 - 20 mA

Type	Specification	Art.-no.	€/pc.
DF 405	230 V / 50 Hz or 24 V DC build-in unit	591 405 230	858,90
	230 V / 50 Hz or 24 V DC build-up unit	591 405 231	858,90
DF 406	230 V / 50 Hz or 24 V DC build-in unit	591 406 230	896,15
	230 V / 50 Hz or 24 V DC build-up unit	591 406 231	968,95

Accessories



Ball valve types 21 / 23 – hand operated

Discount group 116

- limit switch at plastic-body for position feedback „OPEN“ and „CLOSE“
- DIN- / ISO-mounting set (adaptor with coupling, lever and fixing screws) article group 596 941... necessary (see below)
- types of limit switches (see page 83) article group 587 000...
- mounting set for ball valve type 23 (180°) - use article group 596 951...

DIN- / ISO-mounting set

Article group 596 941...

DN = Art.-no.

€/pc.

DN = Art.-no.	€/pc.
015	186,65
020	190,40
025	195,05
032	212,15
040	216,90
050	223,00
065	271,50
080	276,30
100	290,20



Lockable hand lever for ball valve type 21

Discount group 116

- easy replacement of standard lever

Article group 571 508...

DN=Art.-no.

€/pc.

DN=Art.-no.	€/pc.
015	19,15
020	19,45
025	20,35
032	24,75
040	26,90
050	31,60
065	46,05
080	49,95
100	83,80

Accessories



Diaphragm valve type 14 – lockable

Discount group 116

- ready for mounting of a padlock
- for locking of the hand wheel in desired position
- for use in safety-relevant applications
- as protection against unauthorized or unintentional manipulation of the valve opening degree Membranventils

Dimension	Art.-no.	€/pc.
DN 15/20	587 001 001	44,10
DN 25/32	587 001 002	46,60
DN 40	587 001 003	46,60
DN 50	587 001 004	57,90
DN 65	587 001 005	57,90
DN 80	587 001 006	57,90
DN 100	587 001 007	57,90



Stem extension 100 mm (Version „I“)

Discount group 116

- designed to be installed primarily in piping systems incl. insulation or heating
- easy mounting under using the existing original lever
- different length of stem extension available on request

Dimension	Art.-no.	€/pc.
DN 15	571 509 101	86,70
DN 20/25	571 509 102	86,70
DN 32	571 509 103	97,30
DN 40/50	571 509 104	97,30
DN 65	571 509 105	144,00
DN 80	571 509 106	144,00
DN 100	571 509 107	199,10

Accessories



Butterfly valve types 57 / 57 L – with lever

Discount group 116

- limit switch at plastic-body for position feedback „OPEN“ and „CLOSE“
- mounting set necessary

Mounting set	Art.-no.	€/pc.
DN 40 - 100	549 941 100	275,10
DN 125	549 941 125	283,95
DN 150 -200	549 941 150	293,60



Butterfly valve type 75 – with gear

Discount group 116

- limit switch at plastic-body for position feedback „OPEN“ and „CLOSE“
- mounting bracket necessary

Mounting set	Art.-no.	€/pc.
DN 450 - 600	587 000 040	238,30

Accessories



Limit switch boxes

Discount group 116

- limit switch at plastic-body for position feedback „OPEN“ and „CLOSE“
- compact construction
- protection class of box IP 65
- applicable with any NAMUR interface actuator by use of standardized brackets

Article group 587 000...

Rotation angle 90° - e.g. for butterfly valve type 57 and ball valve type 21

Art.-no.	€/pc.	Type	Specification
108	397,50	NBN4-12GM40-Z0	2-wire proximity switch, 6 – 60 V DC, PNP-NO, LED
106	370,25	NBN4-12GM50-E2	3-wire proximity switch, 10 – 30 V DC, PNP-NO, LED
109	276,20	NBN3-F25F-E8	3-wire double proximity switch, 10 – 30 V DC, PNP-NO, LED
104	520,65	IF5249	3-wire proximity switch, 10 – 36 V DC, PNP-NO, LED
103	233,60	83.161.301	Micro switch
101	322,10	SJ3,5-N	2-wire Namur sitted proximity switch, 8 V DC, II 2 G EEx ia IIC T6 / PTB 99 ATEX 2219 X
110	296,25	NCN3-F25-N4	2-wire double proximity switch, 8 V DC, LED, II 2 G EEx ed IIC T6 / TÜV 99 ATEX 1479 X
111	365,75	83.139.1	Micro switch, II 2 G EEx ed IIC T6 / PTB 02 ATEX 1150

Article group 587 000...

Rotation angle 180° - e.g. for ball valve type 23 with L-Port-ball

Art.-no.	€/pc.	Type	Specification
181	322,10	SJ-3,5-N	2-wire Namur sitted proximity switch, 8 V DC, II 2 G EEx ia IIC T6 / PTB 99 ATEX 2219 X
188	391,70	NBN4-12GM40-Z0	2-wire proximity switch, 6 – 60 V DC, PNP-NO, LED
183	233,60	83.161.301	Micro switch
182	276,20	NBN3-F25F-E8	3-wire double proximity switch, 10 – 30 V DC, PNP-NO, LED



Limit switch box for pneumatic rotary actuators

Discount group 116

i-box®

- limit switch at plastic-body for position feedback „OPEN“ and „CLOSE“
- very compact construction of polyamid PA6
- new, easy and timesaving fastening system
- protection class of box IP 67
- direct assembly without mounting bracket (hole pattern 80x30)
- applicable for actuator stem max. Ø 32 and height 20/30 mm

Article group 587 000...

Art.-no.	€/pc.	Type	Specification
150	89,45	D44X	Micro switch
151	89,45	D41X	Micro switch with gold alloy contacts

Accessories



Limit switch boxes for pneumatic lift actuators

Discount group 116

- limit switch at plastic-body for position feedback „OPEN“ and „CLOSE“
- very compact construction
- protection class of box IP 65
- with clear cover

Article group 587 000...

for pneumatic diaphragm valve type 14 (DN 15 - 32)

Art.-no.	€/pc.	Type	Specification
114	396,25	NBB2-V3-E2	3-wire proximity switch, 10-30 V DC, PNP-NO, LED
116	304,35	83.170.4	Micro switch
118	439,30	NJ2-V3-N	2-wire NAMUR proximity switch, 8 V DC, II 2 G EEx ia IIC T6 / PTB 00 ATEX 2032 X
120	304,35	83.170.9	Micro switch with gold alloy contacts

Article group 587 000...

for pneumatic diaphragm valve type 14 (DN 40 - 50)

Art.-no.	€/pc.	Type	Specification
115	432,65	NBB2-V3-E2	3-wire proximity switch, 10-30 V DC, PNP-NO, LED
117	342,90	83.170.4	Micro switch
119	478,25	NJ2-V3-N	2-wire NAMUR proximity switch, 8 V DC, II 2 G EEx ia IIC T6 / PTB 00 ATEX 2032 X
121	347,40	83.170.9	Micro switch with gold alloy contacts

Article group 587 000...

for pneumatic diaphragm valve type AI (DN 15 - 50)

Art.-no.	€/pc.	Type	DN	Specification
134	304,35	83.170.4	15/20	Micro switch with silver alloy contacts
175	396,25	NBB2-V3-E2	15/20	3-wire proximity switch, 10-30 V DC, PNP-NO, LED
165	304,35	83.170.9	15/20	Micro switch with gold alloy contacts
135	304,35	83.170.4	25/32	Micro switch with silver alloy contacts
176	396,25	NBB2-V3-E2	25/32	3-wire proximity switch, 10-30 V DC, PNP-NO, LED
166	274,95	83.170.9	25/32	Micro switch with gold alloy contacts
136	346,75	83.170.4	40/50	Micro switch with silver alloy contacts
177	432,60	NBB2-V3-E2	40/50	3-wire proximity switch, 10-30 V DC, PNP-NO, LED
167	346,75	83.170.9	40/50	Micro switch with gold alloy contacts

Article group 587 000...

for pneumatic diaphragm valve type 14 AP (DN 65 - 100)

Art.-no.	€/pc.	Type	Specification
334	417,75	83.170.4	Micro switch with silver alloy contacts
336	509,55	NBB2-V3-E2	3-wire proximity switch, 10-30 V DC, PNP-NO, LED
335	417,75	83.170.9	Micro switch with gold alloy contacts

Accessories



Limit switch boxes for pneumatic lift actuators

Discount group 116

- limit switch at plastic-body for position feedback „OPEN“ and „CLOSE“
- clear cover for position indicator
- protection class of box IP 65
- excellent accessibility of the terminal strip and all other integrated components

Article group 587 000...

for pneumatic diaphragm valve type 15 (DN 125 - 150)

Art.-no.	€/pc.	Type	DN	Specification
143	857,55	NBB2-V3-E2	DN 125	3-wire proximity switch, 10-30 V DC, PNP-NO, LED
144	781,80	83.161.301	DN 125	Micro switch
145	849,40	NBB2-V3-E2	DN 150	3-wire proximity switch, 10-30 V DC, PNP-NO, LED
146	781,80	83.161.301	DN 150	Micro switch

Accessories

Discount group 116

Solenoid valves, indirectly actuated, with emergency manual override

Article group 587 000...

Art.-no.	€/pc.	Type	Specification
236	127,55		3/2- and 5/2-way, NAMUR, monostable, for direct mounting
238	134,70	MNF 532024DC-LED	24 V DC, with connector plug incl. LED
239	134,70	MNF 532230AC-LED	230 V AC / 50 Hz, with connector plug incl. LED
240	309,80	MNF 532115AC-LED	115 V AC / 50 Hz, with connector plug incl. LED
241	309,80	MNF 532024DC-m	24 V DC, EEx m II T5
		MNF 532230AC-m	230 V AC / 50 Hz, EEx m II T5
			5/2-way, NAMUR, bistable, for direct mounting
245	208,05	MNI 52024DC-LED	24 V DC, with connector plug incl. LED
246	208,05	MNI 52230AC-LED	230 V AC / 50 Hz, with connector plug incl. LED
247	208,05	MNI 52115AC-LED	115 V AC / 50 Hz, with connector plug incl. LED
			with threaded socket G 1/4", monostable, not NAMUR
235	257,80	MF 32024DC-LED	3/2-way, 24 V DC, with connector plug incl. LED
242	257,80	MF 32230AC-LED	3/2-way, 230 V AC / 50 Hz, with connector plug incl. LED
243	257,80	MF 52024DC-LED	5/2-way, 24 V DC, with connector plug incl. LED
244	257,80	MF 52230AC-LED	5/2-way, 230 V AC / 50 Hz, with connector plug incl. LED
248	155,05	DPN 52	Throttle plate for 5/2-way, NAMUR
249	155,05	DPN 32	Throttle plate for 3/2-way, NAMUR

Throttle and regulating valves

Article group 587 000...

Art.-no.	€/pc.	Type	Specification
301	24,50	ASN2-02-S	Throttle silencer, adjustable R 1/4"
304	9,05	VSD 1/4"	Silencer made of NDPE R 1/4"
306	54,15	41.014-10	Throttle valve to supply air G 1/4" / hose d 10, throttling onesided with milled screw
307	3,80	SCHD14KBF	Silencer, brass, nickel plated R 1/4", short design, mesh 80 µm

Filter regulator

Art.-no.	€/pc.	Type	Specification
51516572	274,55	C 11 - K 10	Filter regulator G 1/4" (incl. Mountingkit)

Accessories

Discount group 116

Electro-pneumatic positioners

Article group 587 000...

Art.-no.	€/pc.	Type	Specification
410	1.982,30	SIPART PS2-6DR5010-ONG00-0AA0	Positioner Single acting, input signal 4 - 20 mA
411	2.277,20	SIPART PS2-6DR5020-ONG00-0AA0	Double acting, input signal 4 - 20 mA
412	2.137,25	SIPART PS2-6DR5010-OEG00-0AA0	Single acting, input signal 4 - 20 mA EEx/ATEX
413	2.432,20	SIPART PS2-6DR5020-OEG00-0AA0	Double acting, input signal 4 - 20 mA EEx/ATEX
			Positioner with HART-interface
416	2.297,60	SIPART PS2-6DR5110-ONG00-0AA0	Single acting, input signal 4 - 20 mA
414	2.998,60	SIPART PS2-6DR5120-ONG00-0AA0	Double acting, input signal 4 - 20 mA
			Positioner with Profibus PA interface
415	2.772,50	SIPART PS2-6DR5510-ONG00-0AA0	Single acting, input signal 4 - 20 mA
			Options
421	445,95	SIPART PS2-6DR4004-8A	Electronic alarm module with 3 outputs
424	485,85	SIPART PS2-6DR4004-6A	Electronic alarm module with 3 outputs EEx/ATEX
422	445,95	SIPART PS2-6DR4004-8J	IY module for position feedback 4 - 20 mA
425	485,85	SIPART PS2-6DR4004-6J	IY module for position feedback 4 - 20 mA EEx/ATEX
427	989,60	SIPART PS2-6DR4004-8G	SIA module with slot-type initiator, 1 fault indication
433	1.021,50	SIPART PS2-6DR4004-6G	SIA module with slot-type initiator, 1 fault indication EEx/ATEX Ia/Ib
420	531,20	SIPART PS2-6DR4004-8K	Limit value contact module with galvanic switch contacts
			Manometer bloc
423	246,55	SIPART PS2-6DR4004-1M	Manometer bloc (pipework pressure 10 bar, chamber pressure 6 bar)
			Mounting set
426	135,30	SIPART PS2-6DR4004-8VK	for lift actuator without mounting bracket (e. g. for DV 14)
431	208,40	SIPART PS2-6DR4004-8V	for lift actuator 3 - 35 mm
434	135,30	SIPART PS2-6DR4004-8L	for lift actuator 35 - 130 mm
432	165,30	SIPART PS2-6DR4004-8D	for rotary actuator
			Mounting set
440	240,20	MOSA-MV14	for pneumatic diaphragm valve type 14, DN 15-50
442	235,80	MOSA-MV14	for pneumatic diaphragm valve type 14, DN 65
443	301,30	MOSA-MV14	for pneumatic diaphragm valve type 14, DN 80
444	390,10	MOSA-MV14	for pneumatic diaphragm valve type 14, DN 100
445	461,85	MOSA-MV15	for pneumatic diaphragm valve type 15, DN 125
449	461,85	MOSA-MV15	for pneumatic diaphragm valve type 15, DN 150
430	94,60		Assembly and adjusting

Surcharge for special connections...

Discount group 36

- ... Pressure retaining valves types V 86 / V 186
- ... Pressure reducing valves types V 82 / V 182
- ... Filler & breather valve type V 91
- ... 2/2-way solenoid valve type 160

Flange			
	PVC - U	PP	PVDF
Article group	517 013...	517 011...	517 015...
DN = Art.-no.	€/pc.	€/pc.	€/pc.
015	69,40	100,25	
020	71,50	104,70	
025	74,90	107,70	
032	89,95	120,50	on
040	104,80	127,95	request
050	132,85	153,75	
065	170,10	194,55	
080	201,75	257,25	
100	231,65	299,65	

Union nut with cement or welding socket			
	PVC - U	PP	PVDF
Article group	517 033...	517 031...	517 035...
DN = Art.-no.	€/pc.	€/pc.	€/pc.
010	61,95	118,60	
015	64,00	122,65	
020	65,85	127,95	
025	74,90	140,90	on
032	86,45	168,60	request
040	112,45	212,95	
050	142,15	292,30	

- ... Pressure relief valve types V 85 / V 185

Flange			
	PVC - U	PP	PVDF
Article group	517 023...	517 021...	517 025...
DN = Art.-no.	€/pc.	€/pc.	€/pc.
015	103,10	150,05	
020	104,80	153,75	
025	110,30	161,00	
032	134,60	179,60	on
040	157,05	190,85	request
050	199,80	229,65	
065	253,90	292,30	
080	302,30	384,45	-
100	346,85	449,10	-

Union nut with cement or welding socket			
	PVC - U	PP	PVDF
Article group	517 043...	517 041...	517 045...
DN = Art.-no.	€/pc.	€/pc.	€/pc.
010	91,75	177,90	
015	95,60	183,40	
020	97,10	190,85	
025	112,45	211,00	on
032	129,05	253,50	request
040	166,40	318,00	
050	212,85	436,15	

Notice:

The connection types are delivered assembled at the factory and are therefore nonreturnable.

Spare parts / wear parts

Discount group 125

Diaphragm valve type 14

EPDM

CSM

PTFE

NBR

PVDF

Parts list no. catalogue
6-9,17,20,21*

Parts list no. catalogue
11, 14

Parts list no. catalogue
3

Parts list no. catalogue
3

Parts list no. catalogue
3, 4

Parts list no. catalogue
3

Parts list no. catalogue
5

Parts list no. catalogue
10, 11, 13-16

Stem set

Transparent bonnet set

Diaphragm

Diaphragm

Diaphragm

Diaphragm

Cushion cover

Handwheel set

Art.-grp.

501 414...

501 411...

501 401...

501 403...

501 402...

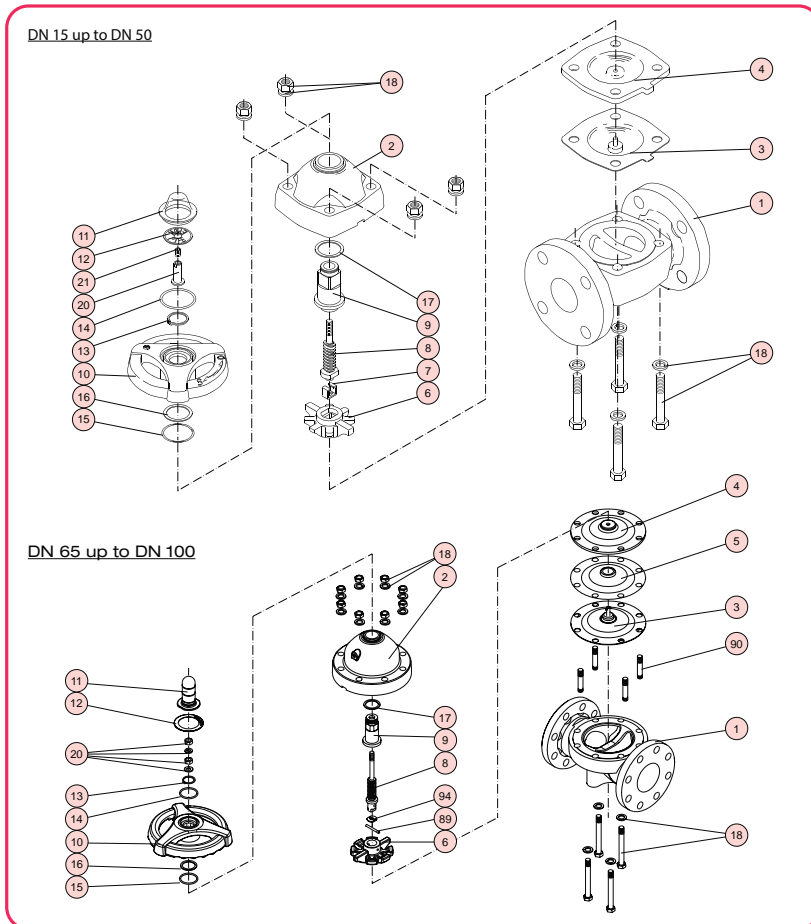
501 404...

501 405...

530 401...

DN	Art.-no.	€/pc.	€/pc.	€/pc.	€/pc.	€/pc.	€/pc.	€/pc.	Art.-no.	€/pc.
15/20	001	51,15	7,45	30,40	37,95	153,45	30,40	53,25	001	19,35
25/32	002	55,00	7,45	36,10	43,90	165,15	36,10	56,95	001	19,35
40	003	105,65	9,80	63,50	73,10	207,05	63,50	99,45	002	19,35
50	004	112,30	9,80	74,85	99,90	246,80	74,85	116,20	003	30,80
65	005	272,90	25,55	125,10	215,35	605,45	125,10	178,80	004	30,80
80	006	277,55	25,55	152,10	261,90	632,15	152,10	336,50	005	66,35
100	007	338,00	26,85	185,10	319,10	725,20	185,10	373,55	006	66,35

* from DN 65: 6,8,9,17,20,89,94



No.	Description	Number	Material
1	Base body /	1	PVC/PVC, PVC-C/PP, PP/PP
2	Bonnet	1	PVDF/PP-G, PVDF/PVDF
1a	Thread insert ¹⁾	1	Brass CW615N (C 3604)
3	Diaphragm ^{*,2)}	1	EPDM, CSM, PTFE ³⁾
3a	inserted metal of diaphragm	1	A2 - 1.4301 (SUS 304)
4	Cushion ³⁾	1	EPDM
5	Diffusion stop inlay	1	PVDF
6	Compressor	1	PVDF
7	Joint ⁴⁾	1	A2 - 1.4301 (SUS 304)
8	Stem	1	Brass CW615N (C 3604)
8a	Indicator rod	1	A2 - 1.4301 (SUS 304)
9	Sleeve	1	Brass CW615N (C 3604)
10	Hand wheel	1	PP
11	Gauge cover	1	PC
12	Name plate	1	PVC
13	Retaining ring	1	A2 - 1.4301 (SUS 304)
14	O-ring (A)	1	EPDM
15	O-ring (B)	1	EPDM
16	Thrust ring (A)	1	UHMWPE
17	Thrust ring (B)	1	UHMWPE
18	Bolt, nut, washer	4	A2 - 1.4301 (SUS 304)
19	Disk spring package ⁵⁾	4	A2 - 1.4301 (SUS 304)
20	Stopper	1	C 3604 ⁴⁾ / 1.4301 ¹⁾
21	Screw ⁴⁾	1	A2 - 1.4301 (SUS 304)
25	End connector (spigot, socket) ⁴⁾	2	PVC-U/-C, PE 100, PP, PVDF
26	Union nut ⁴⁾	2	PVC-U/-C, PP-G, PVDF
27	O-ring ^{*,4)} (C)	2	EPDM, FPM
88	Grease nipple ¹⁾	1	Brass CW615N (C 3604)
89	Compressor ¹⁾	1	A2 - 1.4301 (SUS 304)
90	Stud bolt, nut, washer ¹⁾	4	A2 - 1.4301 (SUS 304)
94	Inserted metal of diaphragm ¹⁾	1	A2 - 1.4301 (SUS 304)

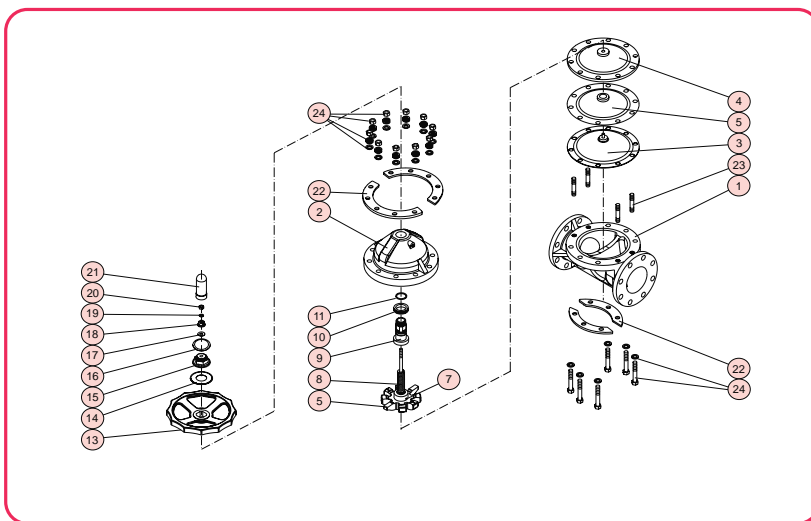
¹⁾ Wearing parts
²⁾ with EPDM cushion
³⁾ with PTFE diaphragm only
⁴⁾ DN 15 - DN 50 only
⁵⁾ with PVDF body only

Spare parts / wear parts

Discount group 125

Diaphragm valve types 15 / 72

	EPDM		CSM		PTFE		NBR		PVDF	
Type 15	Parts list no. catalogue 5, 7-11, 17-20	Parts list no. catalogue 15, 16, 21	Parts list no. catalogue 3	Parts list no. catalogue 3	Parts list no. catalogue 3, 4	Parts list no. catalogue 3	Parts list no. catalogue 4a	Parts list no. catalogue 13, 15, 16, 21		
	Stem set	Transparent bonnet set	Diaphragm	Diaphragm	Diaphragm	Diaphragm	Cushion cover	Handwheel set		
Art.-grp.	501 414...	501 411...	501 401...	501 403...	501 402...	501 404...	501 405...	530 401...		
DN	Art.-no.	€/pc.	€/pc.	€/pc.	€/pc.	€/pc.	€/pc.	Art.-no.	€/pc.	
125	008	839,30	26,75	369,50	464,85	1.325,95	369,50	007	69,95	
150	018	1.043,95	33,80	513,35	645,85	1.704,25	513,10	008	97,90	
Type 72	Parts list no. catalogue 5, 7-11, 17-20		Parts list no. catalogue 3	Parts list no. catalogue 3	Parts list no. catalogue 3, 4	Parts list no. catalogue 3	Parts list no. catalogue 4a	Parts list no. catalogue 13, 15, 16, 21		
	Stem set		Diaphragm	Diaphragm	Diaphragm	Diaphragm	Cushion cover	Handwheel set		
Art.-grp.	501 414...		501 401...	501 403...	501 402...	501 404...	501 405...	530 401...		
DN	Art.-no.	€/pc.	€/pc.	€/pc.	€/pc.	€/pc.	€/pc.	€/pc.		
200	019	1.499,05	552,10	938,45	1.999,90	552,15	733,50	200,95		
250	020	2.378,55	891,95	1.515,55	3.599,55	892,05	1.062,10	294,40		



Pos. 1a, 23		Pos. 24	
DN	parts	DN	parts
125	4	125	4
150	4	150	6
200	8	200	8
250	12	250	8

No.	Description	Number	Material
1	Base body	1	PVC-U/PVC-U, PP/PP,
2	Bonnet	1	PVDF/PP-G, PVDF/PVDF
1a	Thread insert	see left	Brass CW615N (C 3604) ¹⁾
3	Diaphragm ^{*)2)}	1	EPDM, CSM, PTFE ^{*)}
3a	Inserted metal	1	A2 - 1.4301 (SUS 304)
4	Cushion ³⁾	1	EPDM
4a	Diffusions stop inlay	1	PVDF ⁴⁾
5	Compressor	1	0.6020 (FC 20) ⁵⁾
6	Compressor nut	1	Brass CW615N (C 3604)
7	Compressor pin	1	A2 - 1.4301 (SUS 304)
8	Stem	1	Brass CW615N (C 3604)
9	Sleeve	1	Brass CW615N (C 3604)
10	Thrust ring	1	1.1133 (SUJ 2)
11	O-ring (A)	1	NBR
12	Grease nipple	1	Brass CW615N (C 3604)
13	Handwheel	1	PP
14	Name plate	1	PVC
15	Cap	1	PP
16	Seat gasket (A)	1	EPDM
17	Seat ring	1	A2 - 1.4301 (SUS 304)
18	Stopper	1	1.0050 (SS 490)
19	Spring ring	1	A2 - 1.4301 (SUS 304)
20	Set nut	1	A2 - 1.4301 (SUS 304)
21	Gage cover	1	PC
23	Stud bolt, nut, washer	see left	A2 - 1.4301 (SUS 304)
24	Bolt, nut, washer	see left	A2 - 1.4301 (SUS 304)

^{*)} Wearing parts
^{**)} with EPDM cushion
¹⁾ PVDF: material A2 - 1.4301 (SUS 304)
²⁾ with pin of A2 - 1.4301 (SUS 304)
³⁾ with PTFE-diaphragm only
⁴⁾ Optional for PTFE-diaphragm
⁵⁾ DN 125 and DN 150: PVDF

Spare parts / wear parts

Discount group 125

Butterfly valve type 57

Article group	Parts list no. catalogue							
	2, 183, 184	2, 183, 184	2, 183, 184	3	3	3	3	3
DN = Art.-no.	Disc ¹⁾		Seat		Seat		Seat	
	PVC - U	PP	PVDF	EPDM	NBR	CSM	FKM	FKM - F
	543 303...	543 301...	543 305...	543 211...	543 219...	543 215...	543 214...	543 216...
	€/pc.	€/pc.	€/pc.	€/pc.	€/pc.	€/pc.	€/pc.	€/pc.
040	118,65	118,65	165,25	31,00	43,70	57,80	158,90	197,20
050	120,40	120,40	167,65	33,20	47,60	57,80	186,35	230,05
065	121,55	120,40	220,10	43,70	65,90	90,50	339,30	421,30
080	121,55	120,40	220,10	46,40	70,00	96,35	372,10	464,90
100	122,15	120,40	286,90	51,70	74,05	102,70	393,90	481,55
125	171,00	171,00	454,35	79,15	117,55	162,75	552,45	667,40
150	171,00	171,00	628,95	95,35	143,40	202,00	896,70	1.093,45
200	303,90	303,90	1.103,75	116,45	182,40	261,05	1.241,00	1.519,65
250	456,65	456,65	1.609,30	414,60	362,70	488,75	2.110,00	2.514,55
300	541,60	541,60	2.534,75	513,00	538,20	812,00	3.300,25	4.137,45
350	663,35	663,35	3.460,25	1.470,50	2.208,35	1.470,50	5.574,65	6.542,20

¹⁾ incl. bush-set (parts list no. 183, 184)

Article group	Parts list no. catalogue						Parts list no. catalogue
	7, 8, 157	6	6	6	6	6	16-19, 21-24, 182,186
DN = Art.-no.	Stem-set	O-ring stem	O-ring stem	O-ring stem	O-ring stem	O-ring stem	Lever-set
	1.4000 / SUS 403	EPDM	NBR	CSM	FKM	FKM - F	
	543 428...	543 711...	543 719...	543 715...	543 714...	543 716...	543 502...
	€/pc.	€/pc.	€/pc.	€/pc.	€/pc.	€/pc.	Art.-Nr. €/pc.
040	91,75	9,80	9,80	12,85	14,95	21,80	001 122,30
050	106,65	9,80	9,80	12,85	14,95	21,80	001 122,30
065	110,15	9,80	9,80	12,85	14,95	21,80	001 122,30
080	123,40	10,20	10,20	12,85	15,55	22,80	002 129,85
100	143,90	10,20	10,20	12,85	15,55	22,80	002 129,85
125	257,55	10,50	10,50	14,25	17,30	27,75	003 239,30
150	270,75	10,50	10,50	14,25	17,30	27,75	003 239,30
200	353,35	11,95	11,95	19,10	22,05	34,15	004 265,90
250	465,35	14,85	14,85	29,05	38,25	54,10	
300	708,50	15,00	15,00	29,85	39,75	58,10	
350	773,55	15,85	15,85	31,55	54,85	75,80	

Spare parts / wear parts

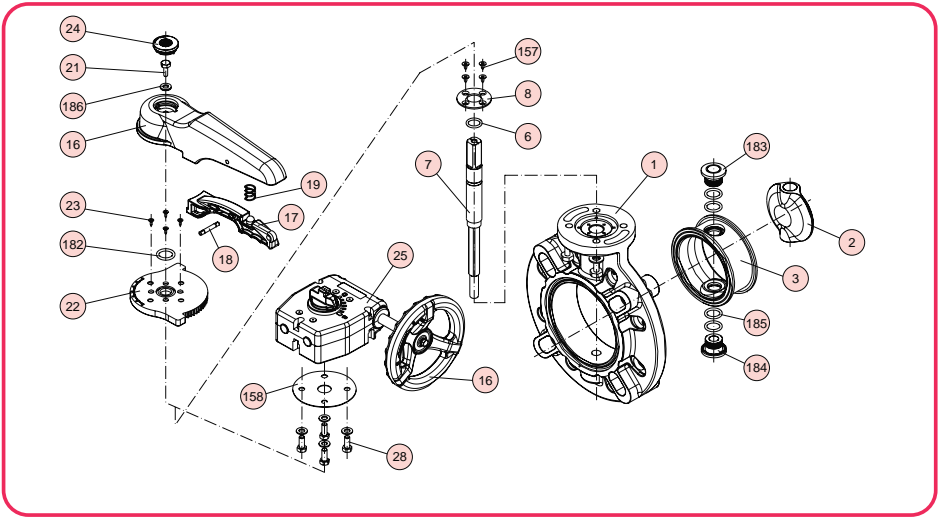
Discount group 125

Butterfly valve type 57

Parts list no. catalogue 185	Parts list no. catalogue 185	Parts list no. catalogue 185	Parts list no. catalogue 185	Parts list no. catalogue 185
O-ring kit bush	O-ring kit bush	O-ring kit bush	O-ring kit bush	O-ring kit bush

EPDM	NBR	CSM	FKM	FKM - F
------	-----	-----	-----	---------

Article group	543 111...	543 119...	543 115...	543 114...	543 116...
DN = Art.-no.	€/pc.	€/pc.	€/pc.	€/pc.	€/pc.
040	31,20	32,00	59,85	40,05	98,45
050	32,00	32,00	59,85	40,05	103,35
065	32,00	32,00	59,85	40,05	103,35
080	32,00	32,00	59,85	40,05	103,35
100	33,15	32,00	59,85	40,05	103,35
125	34,15	32,00	74,70	51,85	173,65
150	37,20	36,10	67,65	62,85	173,65
200	40,05	38,00	67,65	69,85	173,65
250	40,05	38,00	71,70	73,65	173,65
300	40,95	39,15	78,70	80,70	173,65
350	40,95	39,15	78,70	80,70	173,65



No.	Description	Number	Material
1	Body	1	PVC-U, PP, PP (disc-PVDF)
1a	Reinforcement ring ¹⁾	1	A2 - 1.4301 (SUS 304)
2	Disc ¹⁾	1	PVC-U, PP, PVDF
3	Seat ¹⁾	1	EPDM, CSM, FKM, FKM-F
6	O-ring (C) ¹⁾	1	EPDM, CSM, FKM, FKM-F
7	Stem	1	1.4000 (SUS 410 S) ²⁾
8	Stem retainer	1	PP
16	Lever / handwheel ³⁾	1	PP
17	Hand lever	1	PPG
18	Pin	1	PPG
19	Spring	1	A2 - 1.4301 (SUS 304)
21	Hexagonal bolt (A)	1	A2 - 1.4301 (SUS 304)

No.	Description	Number	Material
22	Locking plate	1	PPG
23	Screw (B)	4	A2 - 1.4301 (SUS 304)
24	Cap (A)	1	PP
25	Gear box	1	PDCPD
28	Hexagonal bolt	4	A2 - 1.4301 (SUS 304)
157	Screw	4	A2 - 1.4301 (SUS 304)
158	Sheet gasket ⁴⁾	1	EPDM
182	O-ring ¹⁾	1	EPDM
183	Seat bush (A) ¹⁾	1	PVC-U, PP, PVDF
184	Seat bush (B) ¹⁾	1	PVC-U, PP, PVDF
185	O-ring ¹⁾	4	EPDM, CSM, FKM, FKM-F
186	Washer/Rubber	1	A2 - 1.4301 (SUS 304) with EPDM

¹⁾ Wearing parts
¹⁾ only with DN 250 up to 350 (PP, PVDF)
²⁾ other material on request

³⁾ Lever type with inserted stainless steel stem connector: 1.4404 (SUS 316L)
⁴⁾ only for gear box type

Parts list no. catalogue 25	Parts list no. catalogue
Gear ³⁾	Bushing

PDCPD	1.4308 / CF 8
542 698...	542 698...

Art.-no.	€/pc.	Art.-no.	€/pc.
100	817,75	111	29,55
100	817,75	111	29,55
100	817,75	111	29,55
100	817,75	114	29,55
100	817,75	114	29,55
200	896,15	217	29,55
200	896,15	217	29,55
200	896,15	219	29,55
300	1.035,80		
300	1.035,80		

³⁾ DN 40 - 250 bushing required

Spare parts / wear parts

Discount group 125

Butterfly valve types 56 / 75

Article group

DN = Art.-no.

400

450

500

600

Parts list no. catalogue 2	Parts list no. catalogue 2	Parts list no. catalogue 3	Parts list no. catalogue 3	Parts list no. catalogue 3	Parts list no. catalogue 3	Parts list no. catalogue 3
Disc	Disc	Seat	Seat	Seat	Seat	Seat
PP	PVDF	EPDM	NBR	CSM	FKM	FKM - F
540 301...	540 305...	540 211...	540 219...	540 215...	540 214...	540 216...
€/pc.	€/pc.	€/pc.	€/pc.	€/pc.	€/pc.	€/pc.
819,40	5.680,20	2.605,70	2.605,70	2.996,25	12.378,15	13.357,45
1.145,00	9.601,05	3.095,85	3.095,85	3.560,20	15.538,80	16.808,75
2.118,05	14.593,05	3.698,50	3.698,50	4.252,80	18.240,25	19.712,90
3.768,50	15.364,10	4.560,40	4.560,40	5.244,30	23.607,95	25.496,45

Article group

DN = Art.-no.

400

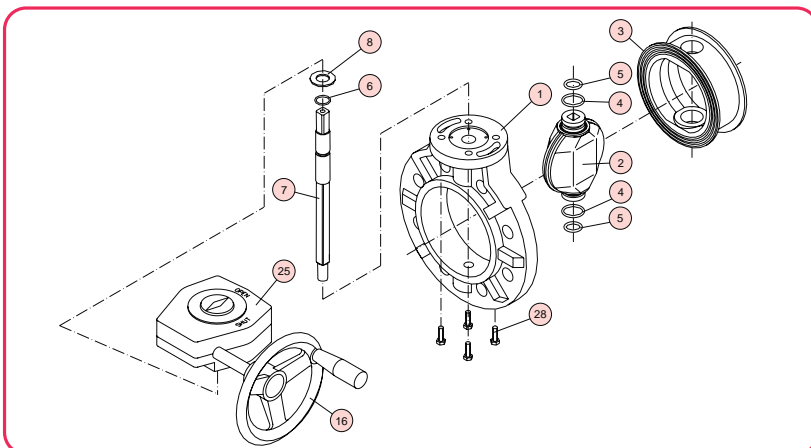
450

500

600

Parts list no. catalogue 7	Parts list no. catalogue 7	Parts list no. catalogue 4, 5, 6*	Parts list no. catalogue 4, 5, 6*	Parts list no. catalogue 4, 5, 6*	Parts list no. catalogue 4, 5, 6*	Parts list no. catalogue 4, 5, 6*
Stem	Stem	O-ring	O-ring	O-ring	O-ring	O-ring
Type 75	Type 56	EPDM	NBR	CSM	FKM	FKM - F
540 426...	540 428...	540 711...	540 719...	540 715...	540 714...	540 716...
€/pc.	€/pc.	€/pc.	€/pc.	€/pc.	€/pc.	€/pc.
-	1.509,40	84,10	84,10	96,40	183,05	209,95
2.592,50	-	103,70	103,70	119,60	203,70	228,30
3.880,75	-	112,50	112,50	129,10	282,50	330,45
5.090,40	-	132,15	132,15	151,65	353,00	419,90

* DN 450 up to DN 600: parts list no.: 5, 6, 7



No.	Description	Number	Material
1	Body	1	PP, PP (Disc-PVDF)
1a	Reinforcing ring	2	1.0040 (SS 400) ¹⁾
2	Disc ²⁾	1	PP, PVDF
3	Seat ²⁾	1	EPDM, CSM, FKM, FKM-F
4	O-ring (A) ²⁾¹⁾	2	EPDM, CSM, FKM, FKM-F
5	O-ring (B) ²⁾	2	EPDM, CSM, FKM, FKM-F
6	O-ring (C) ²⁾	1	EPDM, CSM, FKM, FKM-F
7	Stem	1	1.4024 (SUS 403) ³⁾
8	Stem holder	1	A2 - 1.4301 (SUS 304)
16	Handwheel	1	PP
25	Gear box	1	aluminium alloy EN-JL 1040 (FC 250), epoxy coated

¹⁾ Wearing parts

¹⁾ epoxy coated, with PP DN 400

²⁾ DN 400

³⁾ other material on request

Spare parts / wear parts

Discount group 125

Ball valve type 21

	Parts list no. catalogue 4, 13	Parts list no. catalogue 4, 13	Parts list no. catalogue 4, 13	Parts list no. catalogue 4, 13	Parts list no. catalogue 4	Parts list no. catalogue 4	Parts list no. catalogue 4	Parts list no. catalogue 4	Parts list no. catalogue 4
	Flange + stop ring	Flange + stop ring	Flange + stop ring	Flange + stop ring	Cement socket	Cement socket	Welding socket	Welding socket	Welding socket
	PVC - U	PVC - C	PP	PVDF	PVC - U	PVC - C	PP	PVDF	PE
Article group	571 403...	571 404...	571 401...	571 405...	571 203...	571 204...	571 201...	571 205...	571 701...
DN = Art.-no.	€/Set	€/Set	€/Set	€/Set	€/Set	€/Set	€/Set	€/Set	€/Set
015	49,35	90,70	53,20	314,45	12,45	21,00	15,60	41,25	31,50
020	68,70	120,70	72,35	443,65	12,45	22,55	16,05	47,15	32,05
025	86,90	148,80	87,40	543,20	14,30	30,10	24,95	100,50	32,70
032	95,35	157,05	100,65	609,95	25,50	41,55	28,55	104,40	34,65
040	131,25	194,45	132,80	768,10	25,70	43,60	32,65	136,45	36,50
050	221,25	269,20	224,80	1.170,40	26,75	46,20	38,95	191,00	40,00
065	290,30	317,15	280,75	1.464,00	28,00	56,90	58,40	411,95	55,25
080	429,80	429,50	424,35	1.867,65	37,45	72,35	85,90	615,60	72,55
100	811,85	861,80	803,65	2.868,05	66,35	158,45	102,25	1.065,10	95,95

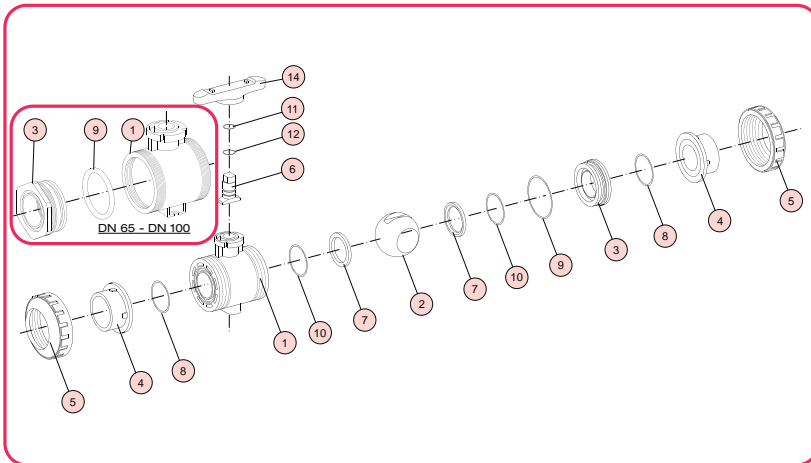
	Parts list no. catalogue 4	Parts list no. catalogue 4	Parts list no. catalogue 4	Parts list no. catalogue 4	Parts list no. catalogue 4	Parts list no. catalogue 4	Parts list no. catalogue 4	Parts list no. catalogue 4	Parts list no. catalogue 4
	Spigot SDR 11	Spigot, long SDR 11	Spigot SDR 11	Spigot, long SDR 11	Spigot SDR 21	Threaded socket	Threaded socket	Threaded socket	Threaded socket
	PE	PE	PP	PP	PVDF	PVC - U	PVC - C	PP	PVDF
Article group	571 702...	571 704...	571 705...	571 706...	571 707...	571 303...	571 304...	571 301...	571 305...
DN = Art.-no.	€/Set	€/Set	€/Set	€/Set	€/Set	€/Set	€/Set	€/Set	€/Set
015	31,00	33,25	30,75	34,85	43,60	13,10	22,55	16,55	40,45
020	31,00	33,25	30,95	35,35	46,35	13,10	23,90	17,05	46,20
025	32,35	33,85	32,35	37,40	47,50	15,20	32,00	26,70	98,55
032	34,30	36,00	34,30	40,10	61,25	27,10	42,75	30,25	102,45
040	36,60	40,20	36,60	43,95	67,70	27,35	48,40	34,75	133,40
050	40,05	44,60	39,85	49,05	86,90	28,55	56,50	41,55	187,30
065	42,75	48,50	42,65	56,85	202,00	29,80	60,55	62,35	403,95
080	51,35	56,10	51,20	66,90	265,05	77,05	79,55	94,45	585,85
100	59,40	65,25	59,10	79,20	298,50	103,15	174,15	112,50	1.013,75

Spare parts / wear parts

Discount group 125

Ball valve type 21

Article group	Ball valve type 21							
	Parts list no. catalogue 8-12	Parts list no. catalogue 8-12	Parts list no. catalogue 8-12	Parts list no. catalogue 7	Parts list no. catalogue 2, 6	Parts list no. catalogue 2, 6	Parts list no. catalogue 2, 6	Parts list no. catalogue 2, 6
DN = Art.-no.	EPDM	FKM	FKM - F	PTFE	PVC - U	PVC - C	PP	PVDF
015	16,15	36,70	55,65	17,05	13,10	16,05	23,40	42,00
020	24,35	55,50	72,05	19,15	13,75	18,50	26,30	60,65
025	25,90	62,15	105,90	23,10	14,95	20,80	26,85	74,80
032	28,95	69,55	125,30	24,75	16,15	25,35	30,35	112,50
040	34,70	94,95	171,70	29,45	20,20	34,20	33,15	170,10
050	49,25	172,80	294,55	53,75	25,90	49,50	35,30	272,05
065	56,10	247,25	442,55	90,40	38,85	75,50	44,15	340,70
080	66,75	280,15	337,65	135,35	49,45	101,50	55,80	457,45
100	96,25	393,50	763,45	157,85	82,15	185,40	88,00	1.173,65



No.	Description	Number	Material
1	Body	1	PVC-U, PVC-C, PP, PVDF
2	Ball ¹⁾	1	PVC-U, PVC-C, PP, PVDF
3	Carrier	1 ¹⁾	PVC-U, PVC-C, PP, PVDF
4	End connector (socket, spigot, flange)	2	PVC-U, PVC-C, PE, PP, PVDF
5	Union nut	2	PVC-U, PVC-C, PP-G, PVDF
6	Stem ¹⁾	1	PVC-U, PVC-C, PP, PVDF
7	Ball seat ²⁾	2	PTFE
8	O-ring (A) ¹⁾	2	EPDM, FKM ²⁾
9	O-ring (B) ¹⁾	1 ¹⁾	EPDM, FKM ²⁾
10	O-ring (C) / flat seat ³⁾	2	EPDM, FKM ²⁾
11	O-ring (D) ¹⁾	1	EPDM, FKM ²⁾
12	O-ring (E) ¹⁾	1	EPDM, FKM ²⁾
13	Stop ring ⁴⁾	2	PVDF
14	Hand lever ⁵⁾	1	ABS
15	Screw ⁶⁾	1	A2 - 1.4301 (SUS 304)

¹⁾ Wearing parts

²⁾ DN 65 up to DN 100: 2 pieces

³⁾ Special version: CSM, NBR, FKM-F, FEP / Parofluor on request

⁴⁾ Flat seat for DN 65 and above

⁵⁾ with flanged version only

⁶⁾ Special version: locking device

⁷⁾ DN 65 and above

Spare parts / wear parts

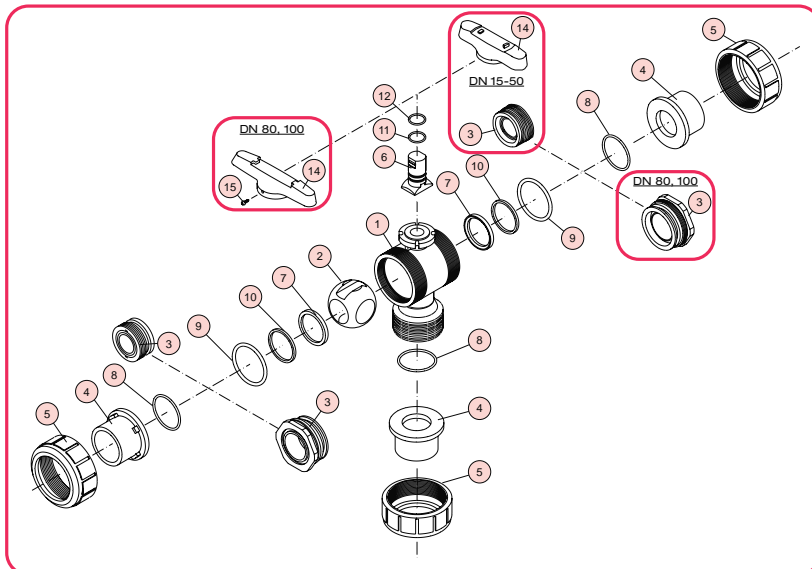
Discount group 125

Ball valve type 23

Article group	Ball valve type 23							
	Parts list no. catalogue 2, 7	Parts list no. catalogue 2, 7	Parts list no. catalogue 2, 7	Parts list no. catalogue 2, 7	Parts list no. catalogue 2, 7	Parts list no. catalogue 2, 7	Parts list no. catalogue 2, 7	Parts list no. catalogue 2, 7
	L-Port Ball ¹⁾	L-Port Ball ¹⁾	L-Port Ball ¹⁾	L-Port Ball ¹⁾	Double L-Port Ball ¹⁾	Double L-Port Ball ¹⁾	Double L-Port Ball ¹⁾	Double L-Port Ball ¹⁾
	PVC - U	PVC - C	PP	PVDF	PVC - U	PVC - C	PP	PVDF
	570 532...	570 534...	570 531...	570 533...	570 512...	570 514...	570 511...	570 513...
DN = Art.-no.	€/Set	€/Set	€/Set	€/Set	€/Set	€/Set	€/Set	€/Set
015	26,35	31,40	26,35	118,90	90,30	107,65	86,75	121,00
020	34,10	43,15	34,10	134,70	91,10	115,25	90,45	146,20
025	49,45	67,10	48,70	153,65	94,65	120,25	93,05	158,55
040	49,45	67,10	49,45	181,10	117,45	138,20	119,35	211,20
050	69,25	95,55	69,25	196,60	139,40	139,40	137,80	211,20
080	130,60	132,50	210,20	665,80	138,50	140,40	222,90	705,65
100	248,75	365,85	272,45	940,60	263,75	387,75	288,80	997,00

Article group	Ball valve type 23			
	Parts list no. catalogue 2, 7	Parts list no. catalogue 2, 7	Parts list no. catalogue 2, 7	Parts list no. catalogue 2, 7
	Cross-Port Ball ¹⁾	Cross-Port Ball ¹⁾	Cross-Port Ball ¹⁾	Cross-Port Ball ¹⁾
	PVC - U	PVC - C	PP	PVDF
	570 522...	570 524...	570 521...	570 523...
DN = Art.-no.	€/Set	€/Set	€/Set	€/Set
015	30,35	36,15	29,15	118,90
020	39,45	47,35	39,15	134,70
025	57,10	48,70	56,00	153,65
040	57,10	49,00	56,00	181,90
050	74,15	101,30	76,05	196,60

¹⁾ with ball seat set PTFE (parts list no.: 7)



No.	Description	Number	Material
1	Body	1	PVC-U, PVC-C, PP, PVDF
2	Ball ¹⁾	1	PVC-U, PVC-C, PP, PVDF
3	Carrier	1 ²⁾	PVC-U, PVC-C, PP, PVDF
4	End connector (socket, spigot, flange)	3	PVC-U, PVC-C, PE, PP, PVDF
5	Union nut	3	PVC-U, PVC-C, PP-G, PVDF
6	Stem ¹⁾	1	PVC-U, PVC-C, PP, PVDF
7	Ball seat ¹⁾	2	PTFE
8	O-ring (A) ¹⁾	3	EPDM, FKM ³⁾
9	O-ring (B) ¹⁾	2	EPDM, FKM ³⁾
10	O-ring (C) / flat seat ⁴⁾	2	EPDM, FKM ³⁾
11	O-ring (D) ¹⁾	1	EPDM, FKM ³⁾
12	O-ring (E) ¹⁾	1	EPDM, FKM ³⁾
13	Stop ring ⁵⁾	2	EPDM, FKM ³⁾
14	Hand lever	1	ABS
15	Screw ⁶⁾	1	A2 - 1.4301 (SUS 304)

¹⁾ Wearing parts

²⁾ DN 80 and DN 100: 2 pieces

³⁾ Special version: CSM, NBR, FKM-F, FEP / Parofluor on request

⁴⁾ Flat seat for DN 80 and above

⁵⁾ with flanged version only

⁶⁾ DN 80 and above

Special designs

Please ask for valves and components which are not listed. Below, please find an abstract of special designs:

Dymatrix™-valves

Quick drain valve type QDV



- DN 40 – DN 100
- body / sealing: PVC-U, PP / FKM, FKM-F, EPDM
- solar technology and semiconductor industry
- for quick drainage liquids from tanks and basins
- easy to maintain
- connections: flange, IR-spigot, socket, thread

Double containment ball valve type DR 21

- d 32/90 – d 63/125
- media pipe / protection pipe: PE 100 / PE 100, PVDF / PE 100, PVDF / PP, PP / PP, PP / PE 100
- upgradeable with electric or pneumatic actuator
- extremely easy to assemble and to maintain

Flow analysis valve in ECTFE

- flange connection: DN 25
- material: ECTFE (Halar)
- dairy union according to DIN 405 for analysis/ sensor element
- for highly aggressive chemicals at high temperature and pressure resistance

Vortex-flow meter systems

- no moving parts and sealings in contact with media
- excellent applicability for pure and ultra-pure media due to no media contacted sealing
- excellent accuracy and repeatability
- nominal diameter: 1/4" – 8"
- material: PP, PVDF, PFA

Flow control valve type 87



- constant flow adjustable – even with fluctuating pressures
- DN 15 – DN 80
- PN 10
- for differential pressures from 0,2 – 2,0 bar
- body / sealing: PVC / EPDM

Multi-port valve

- with rising and non-rising stem
- DN 100 – DN 1000
- body / sealing: PE 100, PP, PVDF / EPDM, FKM
- upgradeable with electric or pneumatic actuator

Sampling valve



- DN 6
- PN 10
- variable connections
- body: PVDF
- sealing: EPDM, FKM
- with blocking and close ring