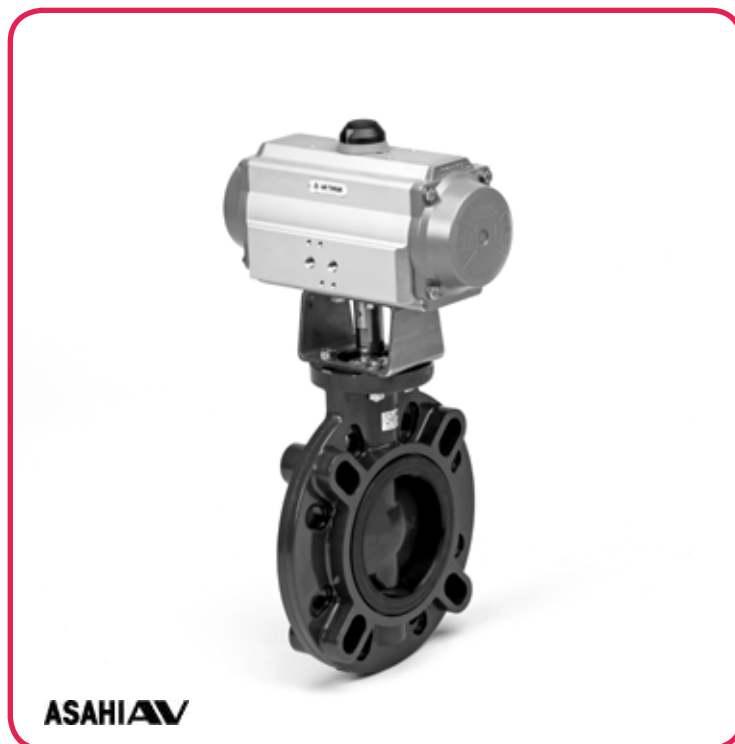


Butterfly valve types 56 / 57 / 75 with pneumatic actuator 6 to 8 bar air pressure



Body material	PVC-U	PP	PP / PVDF ¹⁾
Sealing material (optionally)	• EPDM	• CSM	• FKM • FKM-F
Working temperature ³⁾	0 °C up to 50 °C ²⁾	-20 °C up to 80 °C ²⁾	-20 °C up to 120 °C ²⁾
Nominal size	• Type 56: DN 400 ⁴⁾	• Type 57: DN 40 up to DN 350	• Type 75: DN 450 up to DN 600 (in PDCPD up to DN 1500)
Connection with pipe	Sandwich valve with connection dimensions acc. to DIN EN 1092-1 (replaces DIN 2501) - PN 10 ⁵⁾		
Length	Company standard		
Actuator	Pneumatic, single acting or double acting		
Accessories	Limit switches, solenoid valves, position control units		

¹⁾ Body (not medium contacted) PP, disc PVDF

³⁾ Designed for 10 years of use with a neutral medium (water)

⁴⁾ PVC-U up to DN 350

⁵⁾ also acc. to ANSI or JIS available

²⁾ Working temperatures for sealing materials:

EPDM: -20 up to 90 °C

CSM: -20 up to 80 °C

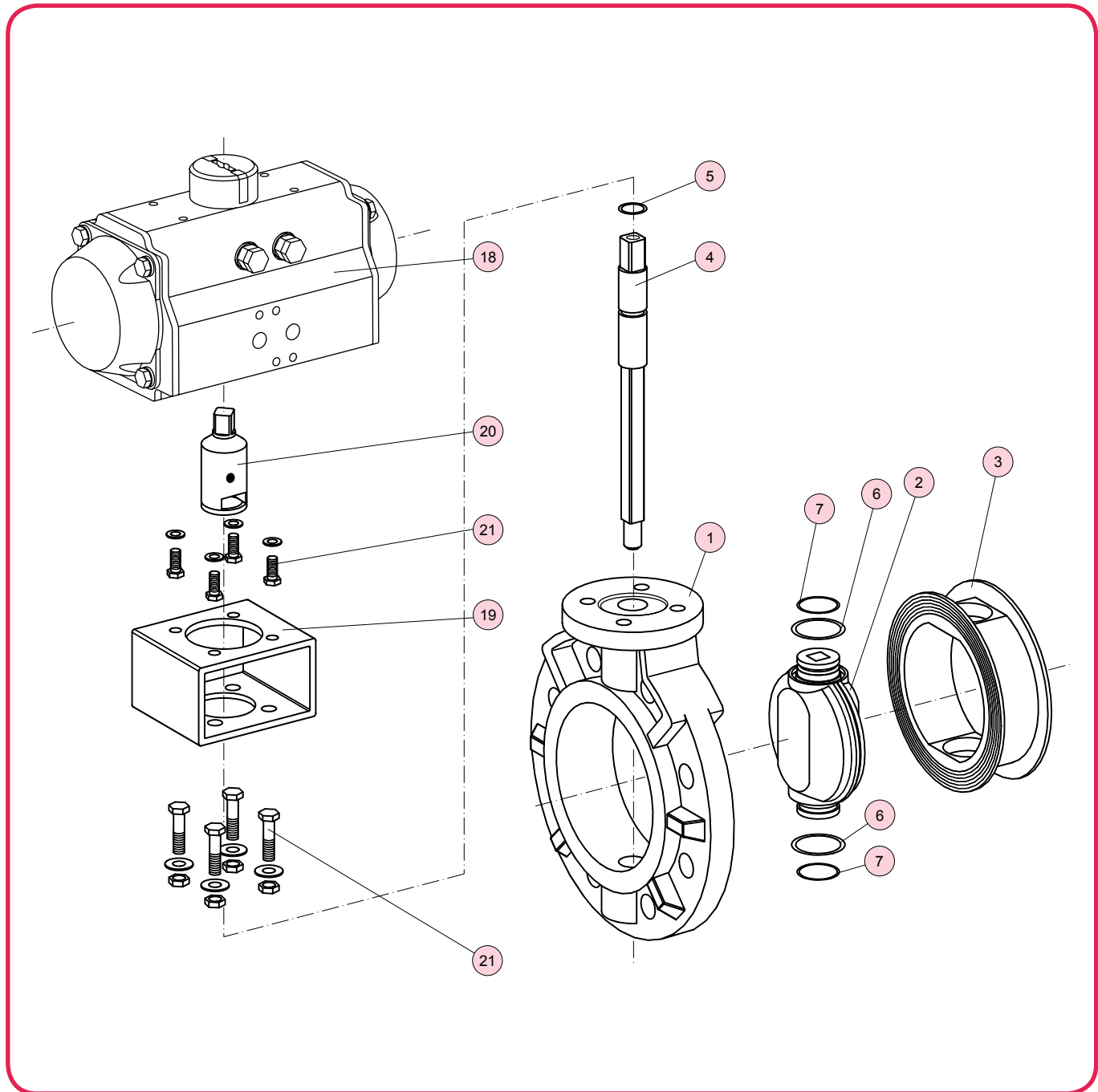
FKM / FKM-F: -5 up to 120 °C

Example for an invitation to tender text:

Butterfly valve type 56, DN 200, PN 10, PP / EPDM, sandwich valve with connection acc. to DIN 1092-1 - PN 10 with pneumatic actuator type SC/SO 600/6, single acting, air to open, 6 to 8 bar air pressure, optical position indicator

Document: FRANK_DB_L2_Absperrklappe Typen 56 + 57 + 75 pneum. 6-8bar_05-2020_EN

Butterfly valve types 56 / 57 / 75 with pneumatic actuator 6 to 8 bar air pressure



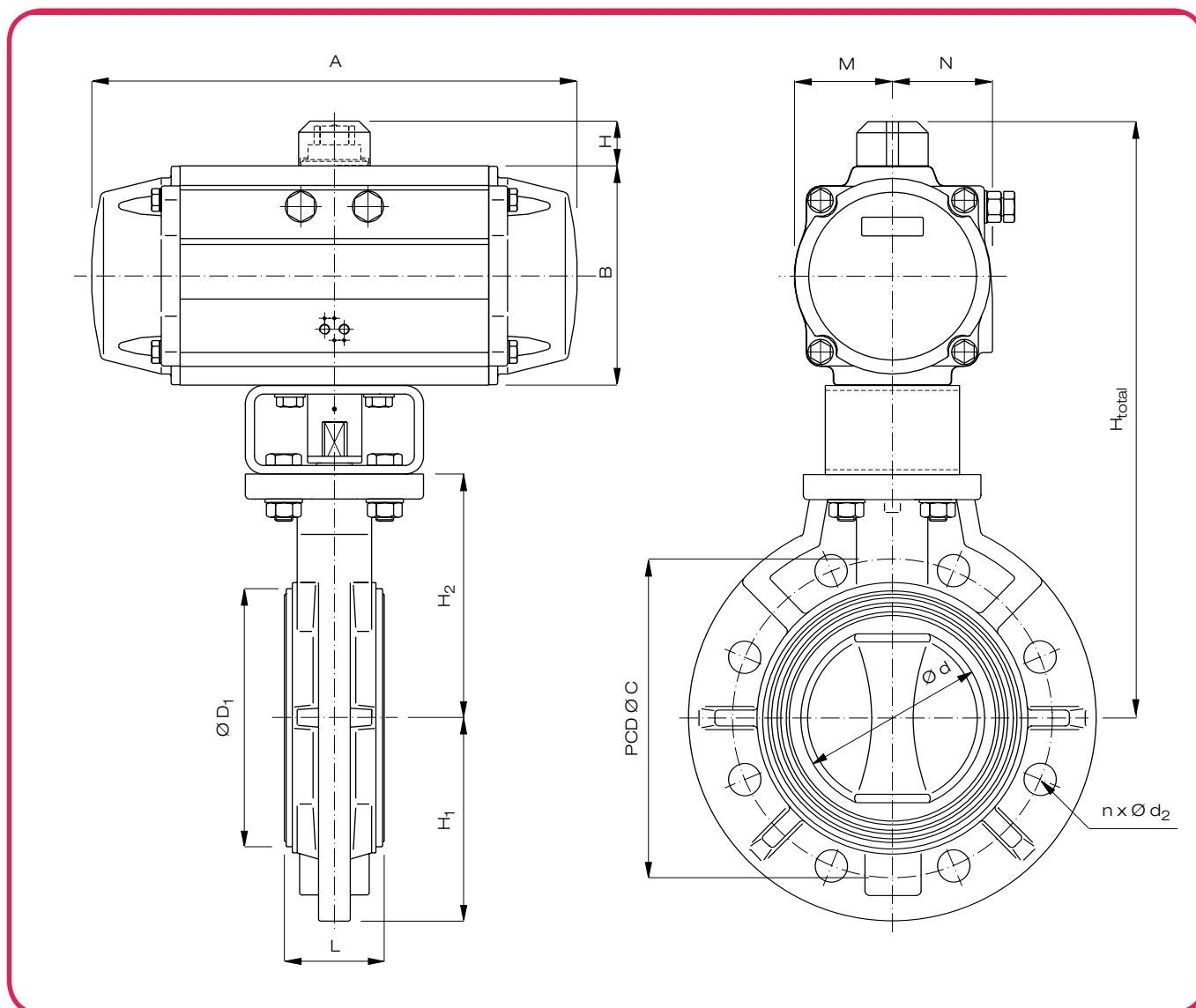
No.	Description	Number	Material
1	Body ¹⁾	1	PVC-U, PP, PVDF
2	Disc ^{*)}	1	PVC-U, PP, PVDF
3	Seat ^{*)}	1	EPDM, CSM, FKM, FKM-F
4	Stem	1	A2 - 1.4301 (SUS 304)
5	O-ring ^{*)}	1	EPDM, CSM, FKM, FKM-F
6	O-ring ^{*)}	2	EPDM, CSM, FKM, FKM-F

^{*)} Wearing parts

¹⁾ PP: DN 400 - DN 600 with reinforcing rings

No.	Description	Number	Material
7	O-ring ^{*)}	2	EPDM, CSM, FKM, FKM-F
18	Actuator	1	extruded aluminium alloy, coated
19	Bracket / ISO	1	A2 - 1.4301 (SUS 304)
20	Coupling	1	A2 - 1.4305 (SUS 303)
21	Screw, washer / nut	8/8/4	A2 - 1.4301 (SUS 304)

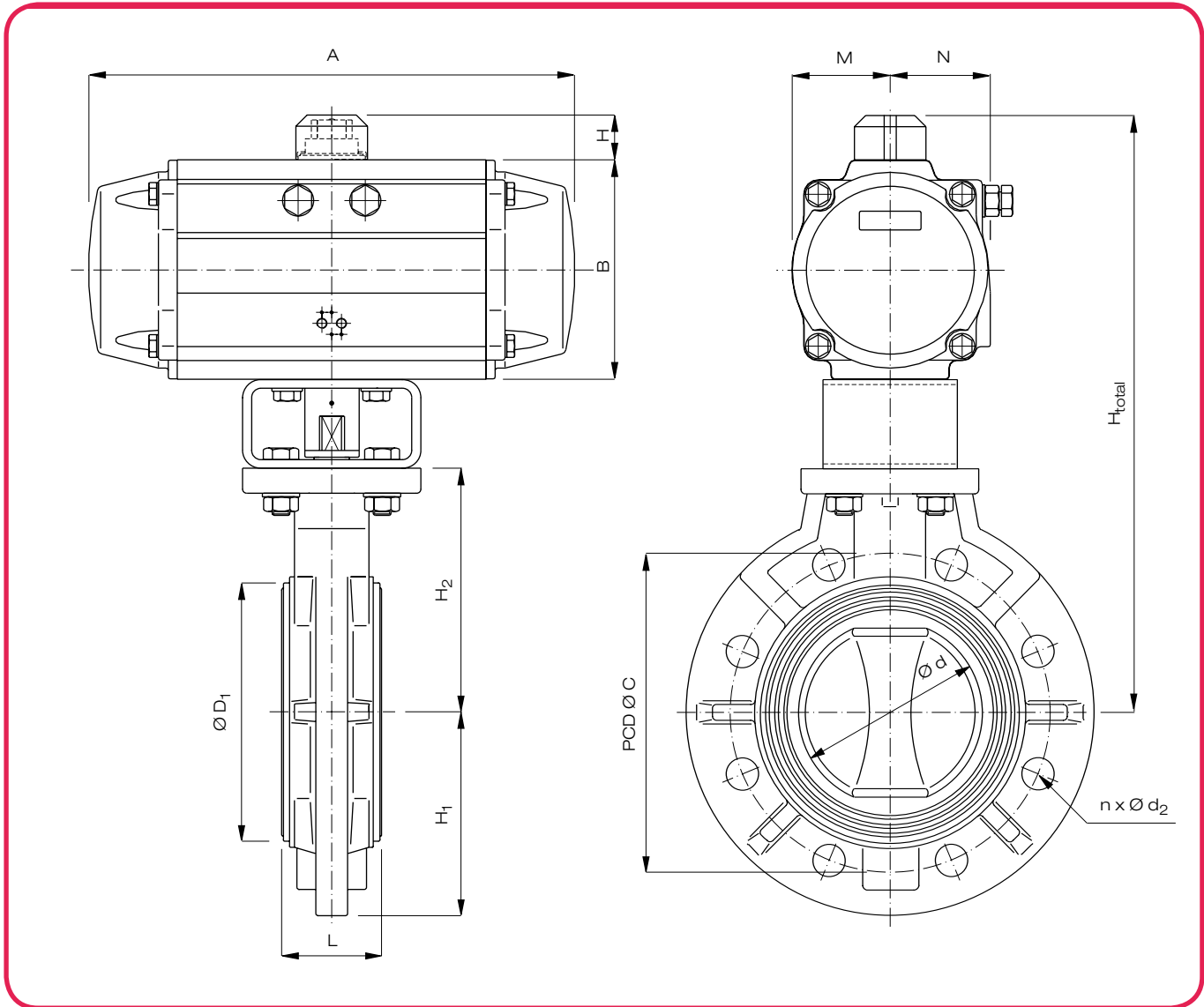
Butterfly valve types 56 / 57 / 75 with pneumatic actuator, single acting, 6 to 8 bar air pressure



Dimensions in mm												Actuator			Weight in kg / pc.				
DN	d	C	H ₁	D ₁	L	H ₂	B	H	H _{total}	A	M	N	n x d ₂	Type	LV ^{*)} [l/lift]	t _s [sec]	PVC-U	PP	PVDF
40	45	110	75	71	39	95	85	20	260	153,5	36	48,5	4 x 18	SC/SO30/6	1,12	0,35	3,8	3,7	4,0
50	56	125	83	81	42	105	85	20	270	153,5	36	48,5	4 x 18	SC/SO30/6	1,12	0,35	4,0	3,8	4,3
65	69	145	93	95	46	115	102	20	297	203,5	42,5	50,5	4 x 18	SC/SO60/6	2,17	0,5	7,3	6,8	7,7
80	77	160	106	105	46	130	102	20	312	203,5	42,5	50,5	8 x 18	SC/SO60/6	2,17	0,5	7,5	7,1	8,1
100	102	180	119	134	56	145	115	20	340	241	49,5	56,5	8 x 18	SC/SO100/6	3,57	0,6	8,8	8,5	9,5
125	129	210	132	169	66	160	127	20	367	259	55,5	63	8 x 18	SC/SO150/6	4,97	0,9	14,3	13,9	15,7
150	150	240	143	190	71	175	145	30	430	304	64	72	8 x 22	SC/SO220/6	8,33	1,1	17,6	17,1	19,0
200	195	295	170	242	87	206	196	30	512	422,5	88	93	8 x 22	SC/SO600/6	21,98	2,1	37,8	36,1	41,8
250	250	350	211	302	112	241	245	50	616	528	110	111,5	12 x 22	SC/SO1200/6	41,58	4,0	66,6	65,5	71,2
300	303	400	244	360	129	298	245	50	673	528	110	111,5	12 x 22	SC/SO1200/6	41,58	4,0	74,0	72,2	83,0
350	351	460	270	393	129	325	299	50	754	605	131	131	12 x 22	SC/SO2000/6	70,00	4,6	94,8	93,3	102,6
400	406	515	300	470	169	350	299	50	793	605	131	131	16 x 26	SC/SO2000/6	70,00	4,6	-	105,8	117,9
450	452	565	315	525	179	370	330	50	870	710	165	165	20 x 26	SC/SO3000/6	101,50	5,0	-	147,6	162,6
500	502	620	350	575	190	400	330	50	900	710	165	165	20 x 26	SC/SO3000/6	101,50	5,0	-	160,2	174,6
600	603	725	424	686	209	465	410	60	1045	876	204	214	20 x 30	SC/SO5000/6	175,00	8,5	-	263,5	285,5

^{*)} Air consumption with turning range 90° in litre/lift at 6 bar air pressure

Butterfly valve types 56 / 57 / 75 with pneumatic actuator, double acting, 6 to 8 bar air pressure



Dimensions in mm													Actuator			Weight in kg / pc.			
DN	d	C	H ₁	D ₁	L	H ₂	B	H	H _{total}	A	M	N	n x d ₂	Type	LV ^{*)} [l/lift]	t _s [sec]	PVC-U	PP	PVDF
40	45	110	75	71	39	95	69	20	234	136	29	43	4 x 18	DR15	1,68	0,25	3,1	3,0	3,3
50	56	125	83	81	42	105	69	20	244	136	29	43	4 x 18	DR15	1,68	0,25	3,3	3,0	3,6
65	69	145	93	95	46	115	85	20	280	153,5	36	48,5	4 x 18	DR30	2,94	0,3	3,7	3,2	4,1
80	77	160	106	105	46	130	85	20	295	159	36	48,5	8 x 18	DR30	2,94	0,3	4,5	4,1	5,1
100	102	180	119	134	56	145	102	20	327	203,5	42,5	50,5	8 x 18	DR60	5,60	0,35	5,9	5,6	6,6
125	129	210	132	169	66	160	115	20	355	241	49,5	56,5	8 x 18	DR100	9,03	0,5	10,4	10,0	11,8
150	150	240	143	190	71	175	127	20	402	259	55,5	63	8 x 22	DR150	12,74	0,6	12,4	11,9	13,8
200	195	295	170	242	87	206	157	30	473	333	69,5	77	8 x 22	DR300	27,16	1,1	23,5	21,8	27,5
250	250	350	211	302	112	241	177	30	528	394,5	80	86	12 x 22	DR450	43,33	1,4	31,5	30,4	36,1
300	303	400	244	360	129	298	220,5	50	648,5	474	99	101	12 x 22	DR900	78,05	2,2	48,7	46,9	57,7
350	351	460	270	393	129	325	220,5	50	676	474	99	101	12 x 22	DR900	78,05	2,2	52,6	51,1	60,4
400	406	515	300	470	169	350	245	50	719	528	110	111,5	16 x 26	DR1200	107,80	3,2	-	72,9	85,0
450	452	565	315	525	179	370	221	50	721	528	99	111,5	20 x 26	DR1200	107,80	3,2	-	78,2	93,2
500	502	620	350	575	190	400	245	50	775	528	110	111,5	20 x 26	DR1200	107,80	3,2	-	92,0	106,4
600	603	725	424	686	209	465	245	50	840	528	110	111,5	20 x 30	DR1200	107,80	3,2	-	128,5	150,5

^{*)} Air consumption with turning range 90° in litre/lift at 6 bar air pressure