

Gauge guard type Z 800 and type Z 801



Body material	PVC-U/PP-G ¹⁾	PP/PP-G ¹⁾	PVDF/PP-G ¹⁾
Material of diaphragm	• PTFE with EPDM cushion		
Working temperatur	0 °C up to 60 °C	- 10 °C up to 80 °C	- 20 °C up to 100 °C
Nominal size	DN 20 - d 25 / G 1/4" ²⁾ DN 25 - d 32 / G 1/2" ²⁾		
Manometer	0 up to 10 bar, Accuracy class 1,6 (others on request)		
Connection with pipe	Cement- / Welding spigot, thread		
Length	Company standard		

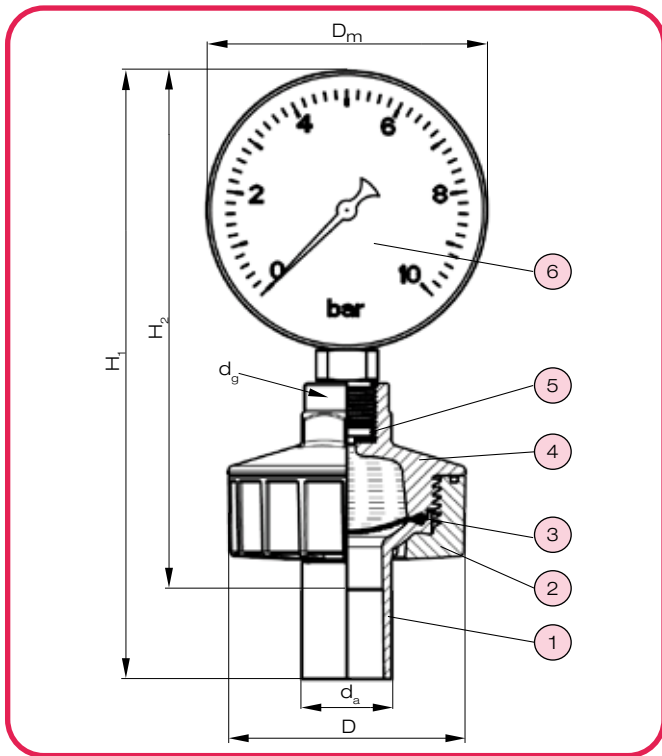
¹⁾ Material upper part and union nut - not in contact with medium
²⁾ Observe notes for correct installation

Example for an invitation to tender text:

Gauge guard type Z 800, DN 25, PN 10, PP / PTFE, spigot d 32, SDR 11 with manometer G 1/2" Ø 100 mm, display area 0 up to 10 bar, accuracy class 1,6

Document: FRANK_DB_L7_Druckmittler Typ Z 800 und Typ Z 801_12-2020_EN

Gauge guard type Z 800 and type Z 801



1	Lower part	1	PVC-U, PP, PVDF
2	Union nut	1	PP-G
3	Diaphragm ^{*)}	1	PTFE ^{**)}
4	Upper part	1	PVC-U, PP, PVDF
5	Manometer seal	1	EPDM
6	Manometer	1	PC / Brass

^{*)} Wearing parts / recommended spare parts
^{**)} with EPDM cushion

Dimensions and weights

DN	Dimensions in mm						Weight in kg / pc.		
	da	dg	D	Dm	H1 ^{*)}	H2 ^{**)}	PVC-U	PP	PVDF
20	25	G 1/4"	84,5	63	178	161	322	313	330
25	32	G 1/2"	84,5	100	218	202	507	498	514

^{*)} PP/PVDF spigot
^{**)} PVC cement spigot

Observe notes for correct installation,
 Gauge guards can also be supplied with threaded sockets on request

Description

- Gauge guards are used for pressure measurements of neutral and aggressive media. The manometer is hermetically separated from the medium by a PTFE-covered diaphragm (no corrosive attack of the manometer).
- The pressure transmission from the membrane to the measuring chamber of the manometer is done via a buffer liquid.
- Due to the large transfer surface of the membrane to the buffer fluid an excellent accuracy of measurement can be achieved - depending on the selection of the manometer.

Special features

- All parts in contact with the media are made of plastic
- The manometer is hermetically separated from the medium
- Largely maintenance-free
- Suitable for the use of all commercial manometer and pressure switches with G 1/4" or G 1/2"

Notes for correct installation

- Gauge guard Z 800 is designed for cementing or socket / butt-welding as connection to the pipeline.
- When using the internal female thread for connection with the pipeline it is necessary to use cylindrical thread without PTFE sealing tape, hemp seal or other thread-filling sealants. Only flat sealing rings should be used to seal the pipe connection.
- We recommend installing a ball valve type 21 between the pipeline and the gauge guard to protect the manometer and to increase the ease of maintenance.
- Depending on the application, the ball valve is only opened to check the operation pressure. With the help of the ball valve, the gauge guard can be maintained even when the operation pressure is present.
- In the case of diffusing media, please consult our technical department.

Remark:

The gauge guard is available as type Z 801 without manometer and buffer liquid.

Available manometer pressure ranges:

- 0 – 0,6 • 0 – 1 • 0 – 1,6 • 0 – 2,5
- 0 – 4 • 0 – 6 • 0 – 10

Other manometer on request!