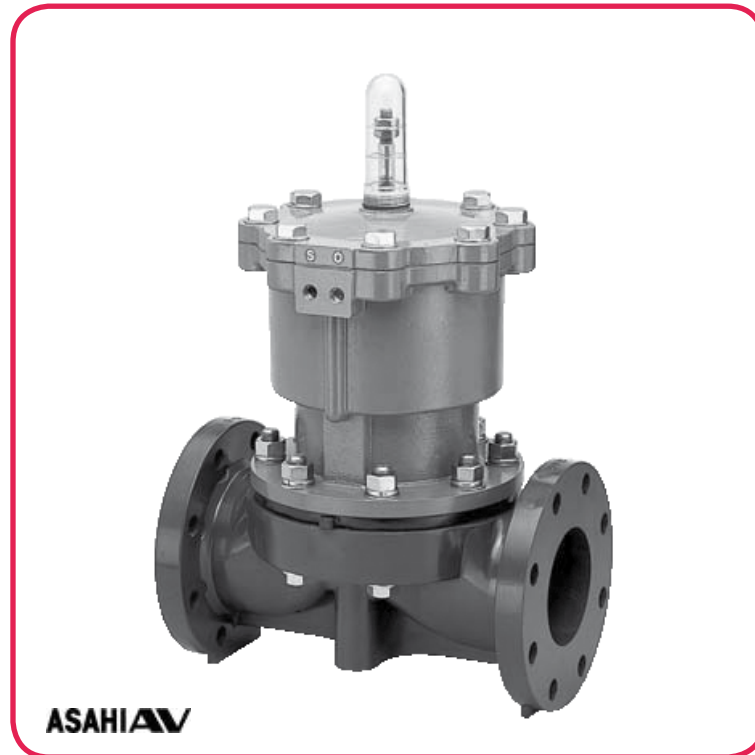


## Diaphragm valve type 14 with pneumatic actuator type AV 4 to 6 bar air pressure (DN 65 - 100)



Body material	PVC-U	PVC-C	PP	PVDF
Material of diaphragm	• EPDM		• CSM	• PTFE with EPDM cushion
Working temperature <sup>1)</sup>	0 °C up to 60 °C <sup>2)</sup>	0 °C up to 90 °C <sup>2)</sup>	-20 °C up to 90 °C <sup>2)</sup>	-20 °C up to 120 °C
Nominal size	DN 65 up to DN 100			
Connection with pipe	• Flange connection acc. to DIN EN 1092-1 (replaces DIN 2501) - PN 10 <sup>3)</sup>			
Length	• DIN EN 558 - 1 series FTF 1 (DIN 3202 - series F 1)		• Company standard	
Actuator	Pneumatic, single or double acting			
Accessories	Limit switches, solenoid valves, positioners, lift limiter			

<sup>1)</sup> Designed for 10 years of use with a neutral medium (water)

<sup>3)</sup> Flange connection also acc. to ANSI available

<sup>2)</sup> Working temperatures for diaphragm materials:

CSM: -20 up to 80 °C

EPDM: -20 up to 90 °C

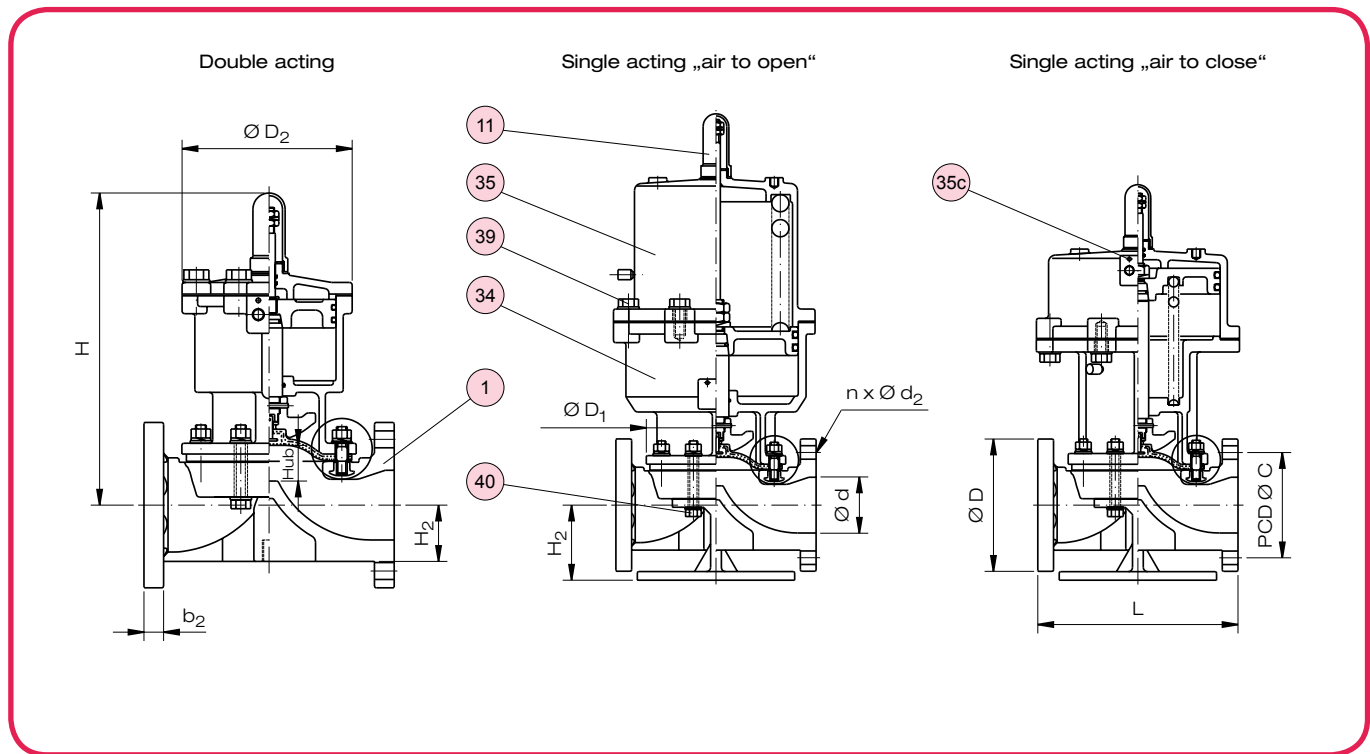
PTFE: -20 up to 120 °C

### Example for an invitation to tender text:

Diaphragm valve type 14, DN 80, PN 10, PP / PTFE, flange connection acc. to DIN EN 1092-1 - PN 10, length acc. to DIN EN 558-1 series FTF 1, with pneumatic actuator type AV, single acting air to open, 4 to 6 bar air pressure, optical position indicator, adjustable stroke limiter

**Document:** FRANK\_DB\_L1\_Membranventil Typ 14 AV pneum. DN65-100\_05-2020\_EN

## Diaphragm valve type 14 with pneumatic actuator type AV 4 to 6 bar air pressure (DN 65 - 100)



No.	Description	Number	Material
1	Body	1	PVC-U, PVC-C, PP, PVDF
11	Gauge cover	1	PC
34	Cylinder body	1	aluminium alloy (AC4C), epoxy coated
35	Cylinder bonnet	1	aluminium alloy (AC4C), epoxy coated

No.	Description	Number	Material
35c	Threaded bushing	2	A2 - 1.4301 (SUS 304)
39	Screw, washer (A)	8	A2 - 1.4301 (SUS 304)
40	Screw, washer (B)	4	A2 - 1.4301 (SUS 304)

## Diaphragm valve type 14 with pneumatic actuator type AV 4 to 6 bar air pressure (DN 65 - 100)

Dimensions - flange connection

Dimensions in mm															
DN	d	C	D	D <sub>1</sub>	D <sub>2</sub> <sup>1)</sup>	D <sub>2</sub> <sup>2)</sup>	D <sub>2</sub> <sup>3)</sup>	L	b <sub>2</sub>	Lift	H <sub>2</sub>	H <sub>1</sub> <sup>1)</sup>	H <sub>2</sub> <sup>2)</sup>	H <sub>3</sub> <sup>3)</sup>	n x d <sub>2</sub>
65	67	145	185	175	208 x 208	280 x 280	280 x 280	290	22	34	61	323	473	423	4 x 18
80	78	160	200	201	208 x 208	305 x 305	305 x 305	310	24	42	63 <sup>5)</sup>	354	550	455	8 x 18
100	100	180	220	241	250 x 250	385 x 385	385 x 385	350	24 <sup>4)</sup>	50	78 <sup>6)</sup>	417	601	509	8 x 18

1) Double acting

2) Single acting „air to open“

3) Single acting „air to close“

4) PP-, PVDF-version = 26mm

5) Single acting „air to close“ = 105mm

6) Single acting „air to close“ = 117mm

Weight in kg / pc.

DN	Flange, double acting				Additional weight	
	PVC-U	PVC-C	PP	PVDF	Single acting Air to open	Single acting Air to close
65	10,0	10,0	9,0	10,5	12,5	7,0
80	12,0	12,0	10,5	12,5	22,5	12,5
100	19,0	19,0	16,5	19,5	42,0	26,5

Air consumption

Ident.-label	Type	Double acting			Single acting, air to open			Single acting, air to close		
		DN 65	DN 80	DN 100	DN 65	DN 80	DN 100	DN 65	DN 80	DN 100
Air consumption [NI / Lift] <sup>2)</sup>		10,3	11,9	20,7	10,6	15,9	34,3	9,4	11,7	26,5

2) with 4 bar air pressure