

Limit switch boxes for pneumatic lift actuators DN 15 - 50

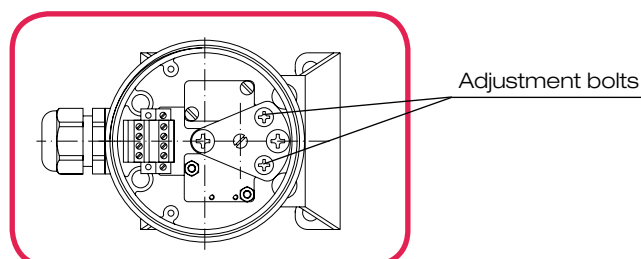


Special features

- Very compact construction: $\varnothing 80 \times 50$ mm
- Room for
 - 2 Micro switches or
 - 2 Proximity switches
- Protection class of switch: IP 65
- Cable gland: M20 x 1,5 (for proximity switch: M12-terminal block)
- Bracket compatible to diaphragm valve type 14, pneumatic

Adjustment:

The adjustment can be performed by regulation of the adjustment bolts:

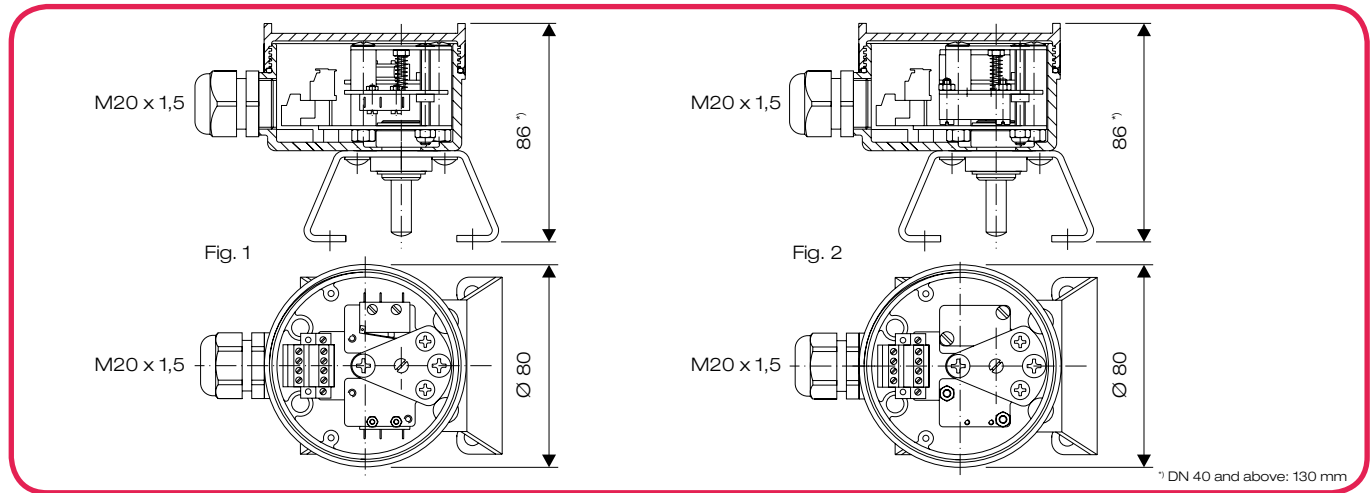


Example for an invitation to tender text:

Limit switch for pneumatic diaphragm valve type 14, DN 40, implemented as 3-wire proximity switch

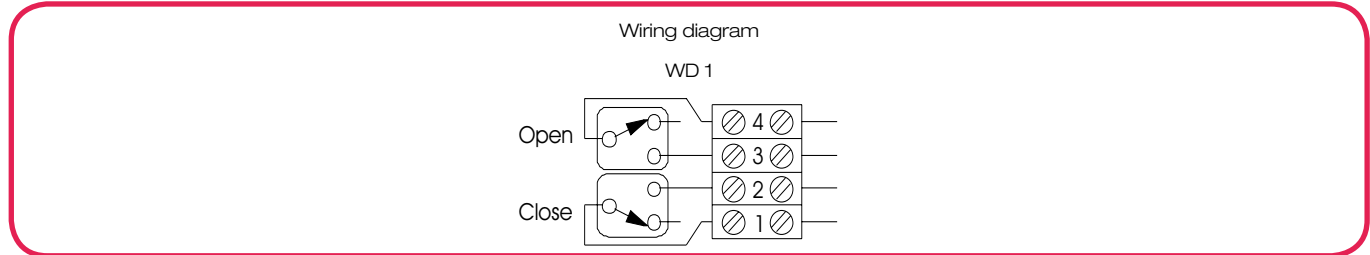
Document: FRANK_DB_L11_Endschalterkästen für pneumatische Hubantriebe DN 15-50_05-2020_EN

Limit switch boxes for pneumatic lift actuators DN 15 - 50

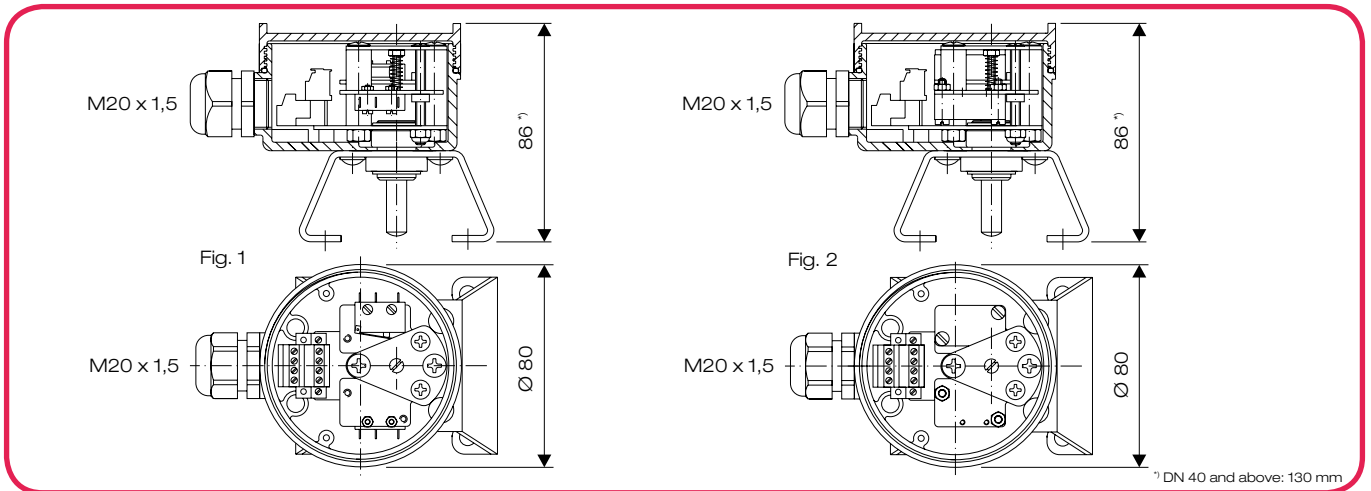


Make / figure
Type
Protection class of switch / specification
Breaking capacity at 250 V AC
Contacts
Service life
Protection class of box / switch
Working temperature of box / switch
Switching point
Material of box / cap
Sealing of box
Wiring diagram

Micro switch, mechanical	
Crouzet / Fig. 1	
83.170.4	83.170.9
Not ex-protected / Changer	
5 A	0,1 A
Silver-nickel	Gold plated
3*10 ⁷ cycles	
IP 65 / IP 00	
-25..70 °C / -20..125 °C	
8,4±0,3 mm	
Vestamid, black / Makrolon, transparent	
EPDM	
WD 1	



Limit switch boxes for pneumatic lift actuators DN 15 - 50

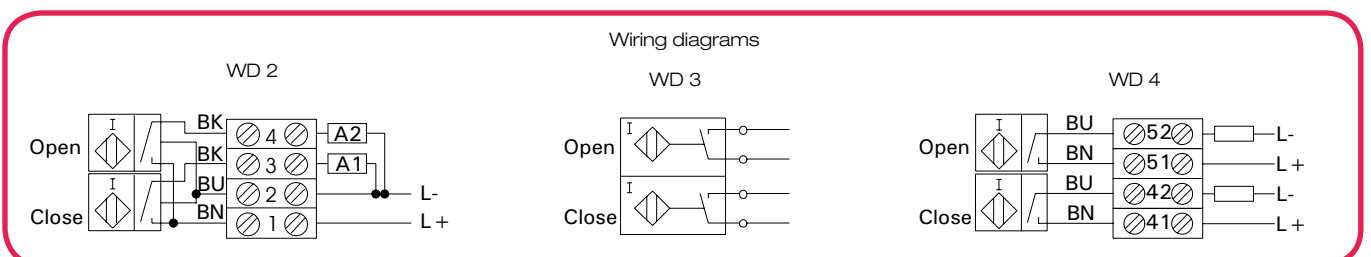


Make / figure
Type
Protection class of switch / specification
Operational voltage ¹⁾ / -current
Off-state current / No-load-supply current
Voltage drop U_d
Short-circuit protection / Polarity reversal protection
Protection class of box / switch
Working temperature of box / switch
Rated operating distance s_n
Material of box / cap
Sealing of box
Wiring diagram

Proximity switch, Inductive, 3-wire	
Pepperl + Fuchs / fig. 2	
NBB2-V3-E2	NBB2-V3-E0
- / PNP-NO	- / NPN-NO
10..30 V / 0..100 mA	
<=0,5 mA / <=15 mA	
<=3 V	
Pulsing / polarity reversal protected	
IP 65 / IP 67	
-25..70 °C / -25..70 °C	
2 mm	
Vestamid, black / Makrolon, transparent	
EPDM	
WD 2	WD 2

Make / figure
Type
Protection class of switch / specification
Operational voltage ¹⁾ / -current
Off-state current / No-load-supply current
Voltage drop U_d
Short-circuit protection / Polarity reversal protection
Protection class of box / switch
Working temperature of box / switch
Rated operating distance s_n
Material of box / cap
Sealing of box
Wiring diagram

Proximity switch, Inductive, 2-wire	
Pepperl + Fuchs / fig. 2	
NBB3-V3-Z4	NJ2-V3-N
- / DC-NO	Eex ia II T6 / NAMUR-NC
5..60 V / 4..100 mA	8 V / -
0..1 mA	-
<=5 V	-
No / polarity rev. protected	- / -
IP 65 / IP 67	
-25..70 °C / -25..70 °C	-25..70 °C / -25..100 °C
3 mm	2 mm
Vestamid, black / Makrolon, transparent	
EPDM	
WD 4	WD 3



¹⁾ resp. nominal voltage