

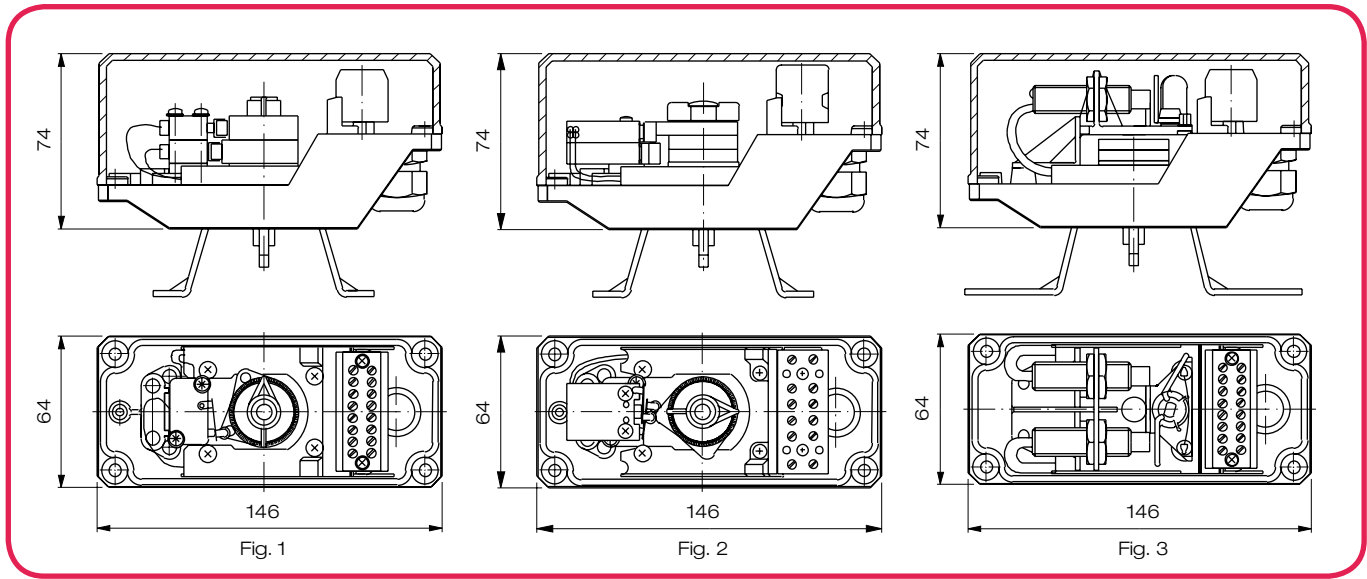
Limit switch boxes for pneumatic rotary actuators



Special features

- Compact construction: 146 x 64 x 74 mm
- Room for
 - 4 Micro switches or
 - 4 Slotted proximity switches
 - 2 Proximity switches
(max. M 18 x 60 incl. cable outlet) or
 - 1 Double initiator
- Shock resistant placement of cable guide (PG-gland or ASI-connection)
- Excellent accessibility of the terminal strip (resp. terminal block) and all other integrated components
- Protection class of box: IP 65
- Toothed locking of switch lobes for simple adjustment without vibrations
- M20 x 1,5 gland
- Applicable with any NAMUR interface actuator by use of standardized brackets
- Standard types of limit switches see S. L11-12 and L11-13

Limit switch boxes for pneumatic rotary actuators



Make / figure
Type
Protection class of switch / spec.
Breaking capacity 250 V AC
Contacts
Service life
Protection class of box / switch
Working temperature of box / switch
Switching sensitivity
Material of box / cap
Sealing of box
Connection
Wiring diagram

Crouzet / fig. 1
83.161.301
Not ex-protected
16 A, 250 V~
Silver-nickel
2*10 ⁷ cycles
IP 65 / IP 65
-20 .. +100 °C
1,5°
Vestamid, black / Makrolon, transp.
EPDM
M20 x 1,5
Wiring diagram

Crouzet / fig. 2
83.139.1
Eex d IIC T 6
6 A, 250 V~
Silver-nickel
5*10 ⁶ cycles
IP 65 / IP 67
-20 .. +85 °C
1,5°
Vestamid, black / Vestamid, black
EPDM
M20 x 1,5 (protection class Eex e II)
Wiring diagram

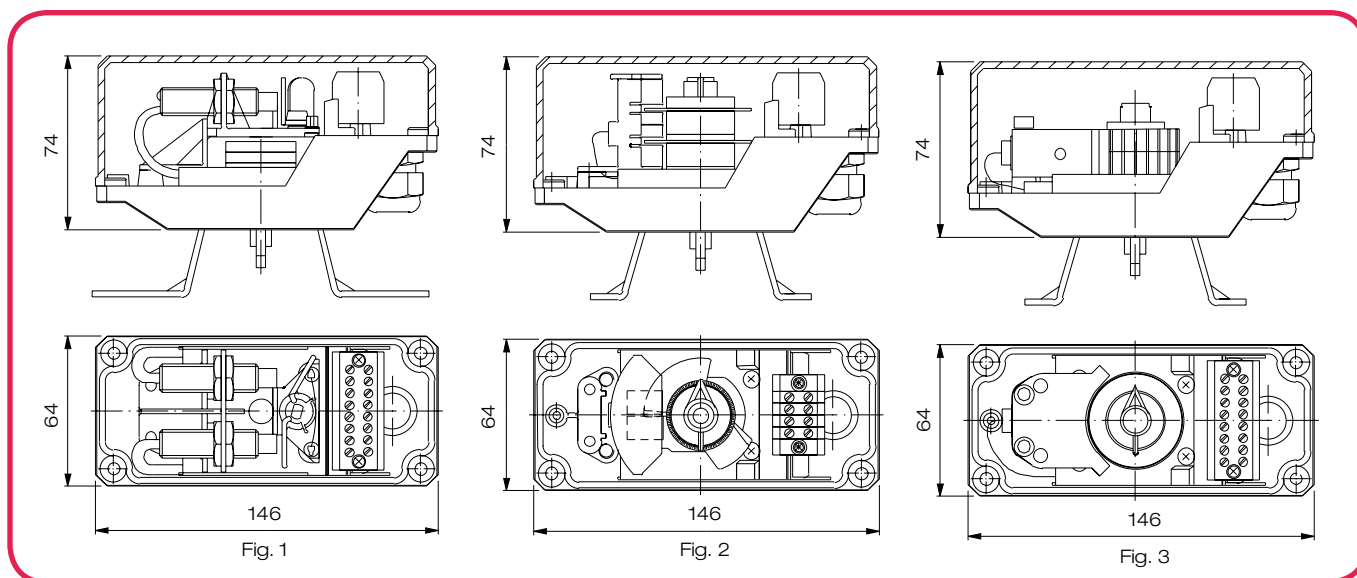
Make / figure
Type
Specification
Rated operating distance
Operational voltage ¹⁾ / -current
Off-state current / no-load-supply c.
Voltage drop U _d
Short-circuit prot. / polarity rev. prot.
Protection class box / switch
Working temperature
Switching sensitivity
Material box / cap
Sealing of box
Connection
Wiring diagram

Pepperl + Fuchs / fig. 3
NBN4-12GM40-Z0
Inductive, 2-wire, DC, PNP-NC
4 mm
6..60 V DC / 100 mA
0,7 A typ. / -
4,2 V typ.
No / polarity reversal protected
IP 65 / IP 67
-25..+70 °C
1,5°
Vestamid, black / Makrolon, transp.
EPDM
M20 x 1,5
Wiring diagram

Pepperl + Fuchs / fig. 3
NBN4-12GM50-E2
Inductive, 3-wire, DC, PNP-NC
4 mm
10..30 V DC / 200 mA
- / 17 mA
-
Pulsing / polarity reversal protected
IP 65 / IP 67
-25..+70 °C
1,5°
Vestamid, black / Makrolon, transp.
EPDM
M20 x 1,5 (protection class Eex e II)
Wiring diagram

¹⁾ resp. nominal voltage

Limit switch boxes for pneumatic rotary actuators



Make / figure
Type
Specification
Rated operating distance
Nominal voltage
Current consumption
Inherent inductivity / capacity
Short-circuit protection
Protection class box / switch
Working temperature
Switching sensitivity
Material box / cap
Sealing of box
Connection
Wiring diagram

Proximity initiator, NAMUR	Pepperl + Fuchs / fig. 1
	NJ2-12GK-N
	Inductive, 2-wire, NO, NAMUR
	2 mm
	8 V DC
	Operated: max. 1 mA
	Non-operated: max. 3 mA
	50 µH / 45 nF
	Protected
	IP 65 / IP 68
-25 .. +100 °C	
1,5°	
Vestamid, black / Makrolon, transp.	
EPDM	
M20 x 1,5	

Slotted initiator, NAMUR	Pepperl + Fuchs / fig. 2
	SJ3,5-N
	Inductive, 2-wire, NO, NAMUR
	3,5 mm (slot width)
	8 V DC
	Operated: max. 1 mA
	Non-operated: max. 3 mA
	250 µH / 50 nF
	Protected
	IP 65 / IP 67
-25 .. +75 °C	
1,5°	
Vestamid, black / Makrolon, transp.	
EPDM	
M20 x 1,5	

Make / figure
Type
Specification
Rated operating distance
Nominal voltage
Current consumption
Inherent inductivity / capacity
Polarity reversal protection
Short-circuit protection
Status indication
Supply voltage indication
Protection class box / switch
Working temperature
Switching sensitivity
Material box / cap
Sealing of box
Connection
Wiring diagram

Double initiator 3-wire, NAMUR	Pepperl + Fuchs / Abb. 3
	NBN3-F25F-E8
	Inductive, 3-wire, DC PNP-NC
	3 mm
	10 .. 30 V DC
	50 mA
	Cut-off current: 0,5 mA
	-
	Protected
	Pulsing
LED, yellow	
LED, green	
IP 65 / IP 67	
-25 .. +100 °C	
0,5°	
Vestamid, black / Makrolon, transp.	
EPDM	
M20 x 1,5	

Double initiator 2-wire, NAMUR	Pepperl + Fuchs / Abb. 3
	NCN3-F25F-N4
	Inductive, 2-wire, NO, NAMUR
	3 mm
	8 V DC
	Operated: max. 1 mA
	Non-operated: max. 3 mA
	36 µH / 90 nF
	Protected
	Protected
LED, yellow	
-	
IP 65 / IP 67	
-25 .. +100 °C	
0,5°	
Vestamid, black / Makrolon, transp.	
EPDM	
M20 x 1,5	