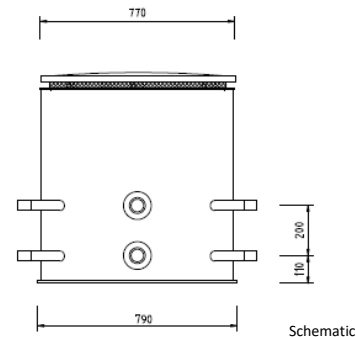
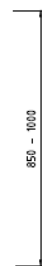
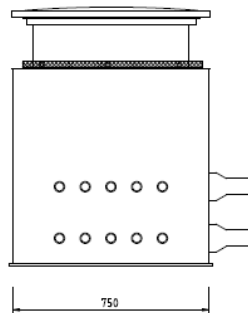
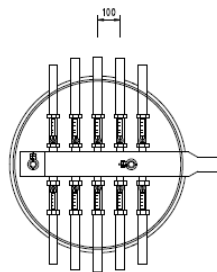


Product information

chamber manifolds type L-750-T

Type		L-750-T
Diameter in mm		750
Height in mm		850-1000
Plastic cover plate DN 600, class A 15 according to DIN EN 124 / DIN 1229, test load 1,500 kg		•
Cover plate (cast iron), class B 125 according to DIN EN 124 / DIN 1229, test load 12.5 t		○
Telescopic section + 150 mm		•
Number of circuits		2-10
Heat pump outflow	d 63	•
	d 75	○
Main shut off ball valve (up to max. 8 circuits)		○
Circuits	d 32	○
	d 40	•
	d 50	○
Supply pipe	PVC ball valve	•
Return pipe	FM 5-42 l/min	•
	FM 35-70 l/min	○
	Hydrocontrol DN 25	○
Filling/venting	BV 1"	•
• Standard	○ Optional	



Technical details

- PEHD chamber casing \varnothing 750 mm
- Telescopic height adjustment 850-1000 mm
- Plastic cover plate DN 600, class A 15 according to DIN EN 124 / DIN 1229, test load 1,500 kg, anti-slip surface, surface waterproof, lockable
- Flat, bottom-welded PE chamber floor
- Completely factory-assembled, pressure-tested manifold/collector, PE 100, d 75, arranged horizontally one on top of another,
- Each with 1" filling/venting ball valve
- Heat pump connections made of solid wall pipe PE 100, d 63
- Circuit connections made of solid wall pipe PE 100, d 40, with true union valves
- Brine outlet: Type 21 PVC ball valve
- Brine inlet: Adjustable and isolatable Measurement of flow rate 5-42 l/min
- All connections have 100 mm external overlap and are welded onto the chamber wall

For installation in water and for higher static loads, a separate design is required.

Our installation guidelines must be observed:
www.frank-gmbh.de

